

# WINTEK | IWFB121D – OWFB121D

Model

Serial

Job name: \_\_\_\_\_  
 \_\_\_\_\_  
 Location: \_\_\_\_\_  
 \_\_\_\_\_  
 Engineer: \_\_\_\_\_  
 Submitted to: \_\_\_\_\_  
 Submitted by: \_\_\_\_\_  
 Reference: \_\_\_\_\_

Approval: \_\_\_\_\_  
 Date: \_\_\_\_\_  
 Construction: \_\_\_\_\_  
 \_\_\_\_\_  
 Unit #: \_\_\_\_\_  
 Drawing #: \_\_\_\_\_

Type			INVERTER	
Items			Heating Pump	
Rated Capacity	Cooling (Min ~ Max)	Btu/h	12,000 (3,500-13,500)	
	Heating (Min ~ Max)	Btu/h	12,000 (3,500-13,500)	
Rated Power Input	Cooling	W	1020	
	Heating	W	992	
Rated Current	Cooling	A	4.6	
	Heating	A	4.5	
Max. Input Power		W	1,710	
Max. Input Current		A	8.3	
EER Cooling		Btu/Wh	SEER2 18.1	
COP Heating		Btu/Wh	HSPF2 8.2	
Power Supply Source		V/Ph/Hz	220V-1-60Hz	
Refrigerant			R32	
Refrigerant Charged		grs / Oz	510 / 17.99	
Max. Discharge Pressure		MPa	4.2	
Max. Suction Pressure		MPa	1.2	
Air Flow Volume		m3/h	650	
IDU-Noise Level (SPrL)[+/- 3dB]		dB(A)	35	
ODU-Noise Level (SPrL)[+/- 3dB]		dB(A)	50	
Indoor Unit Specs				
Evaporator	Multi-bend		3	
	Rows		2	
	Tube & Fin	Material	Inner-grooved copper	
		Material	Hydrophilic (Al)	
		Fin Type	Window type	
Fin Spacing	pz/in	18		
Fan System	Fan	Type	Cross-flow fan	
		Material	AS+Glass fiber	
	Fan Motor	Model	ZWRN-20-10L-815	
		Type	AC/DC	
		Insulation Grade	E	
		Speed (H/M/L)	rpm	1250/1180/1050/900/750
		Circulation (H/M/L)	cfm	530/500/459/383/324
Rated Power	W	20		
Power Supply Cord		Cabel Length	ft	
Condensate Drainage Pipe (O.D)		Inch	ø3/4	
Condensate Drainage Pipe (L)		ft	6.5	



# MIRAGE

Think smart. Think cool. Think Mirage.

# WINTEK | IWFB121D – OWFB121D

Model

Serial

Job name: \_\_\_\_\_  
 \_\_\_\_\_  
 Location: \_\_\_\_\_  
 \_\_\_\_\_  
 Engineer: \_\_\_\_\_  
 Submitted to: \_\_\_\_\_  
 Submitted by: \_\_\_\_\_  
 Reference: \_\_\_\_\_

Approval: \_\_\_\_\_  
 Date: \_\_\_\_\_  
 Construction: \_\_\_\_\_  
 \_\_\_\_\_  
 Unit #: \_\_\_\_\_  
 Drawing #: \_\_\_\_\_

Type			INVERTER	
<b>Outdoor Unit Specs</b>				
Connect Pipe	Liquid Tube Diameter	Inch	1/4'	
	Gas Tube Diameter	Inch	3/8'	
Stop Valve	Liquid Tube Diameter	Inch	1/4'	
	Gas Tube Diameter	Inch	3/8'	
Compressor Model			FTz-AN089ACBA-D	
Compressor	Drive Mode	AC/DC	DC	
	Type		ROTARY	
	Brand		GREE	
Fan System	Fan	Type	Axial-flow fan	
		Vane Number	3	
		Blade Material	AS	
		Diameter	Inch	Φ13.78
	Motor	Model		ZKFN-33-10-20L
		Output Power	W	33
		Type	AC/DC	DC
		Insulation Grade		E
Condenser	Rows	Row	1	
	Bended or Flat		Bended	
	Tube & Fin	Material		Inner-grooved copper
		Material		Hydrophilic (Al)
		Fin Type		Window
		Brand		1.4
Throttling Gear			Capillary	
<b>IDU Measures</b>				
Dimension	Net Dimension (Width x Depth x Height)	mm	815x288x195	
		Inch	32x11x8	
	Packing Dimension (Width x Depth x Height)	mm	880x350x270	
		Inch	35x14x11	
Weigth	Indoor Unit Weight (Net)	Lb	18	
	Indoor Unit Weight (Gross)	Lb	22	
<b>ODU Measures</b>				
Dimension	Net Dimension (Width x Depth x Height)	mm	680x246x462	
		Inch	27x10x18	
	Packing Dimension (Width x Depth x Height)	mm	775x315x515	
		Inch	31x12x20	
Weigth	Outdoor Unit Weight (Net)	Lb	46	
	Outdoor Unit Weight (Gross)	Lb	51	



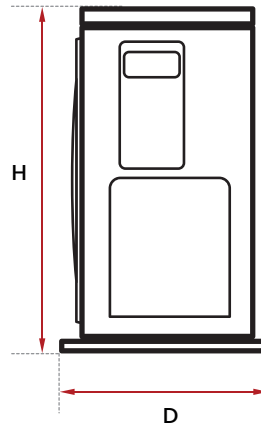
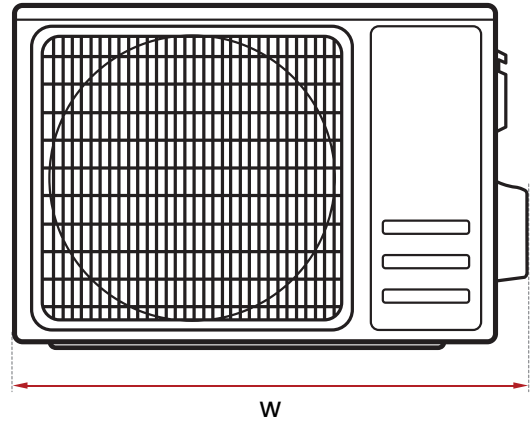
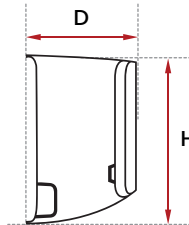
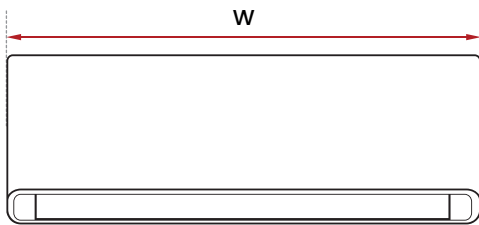
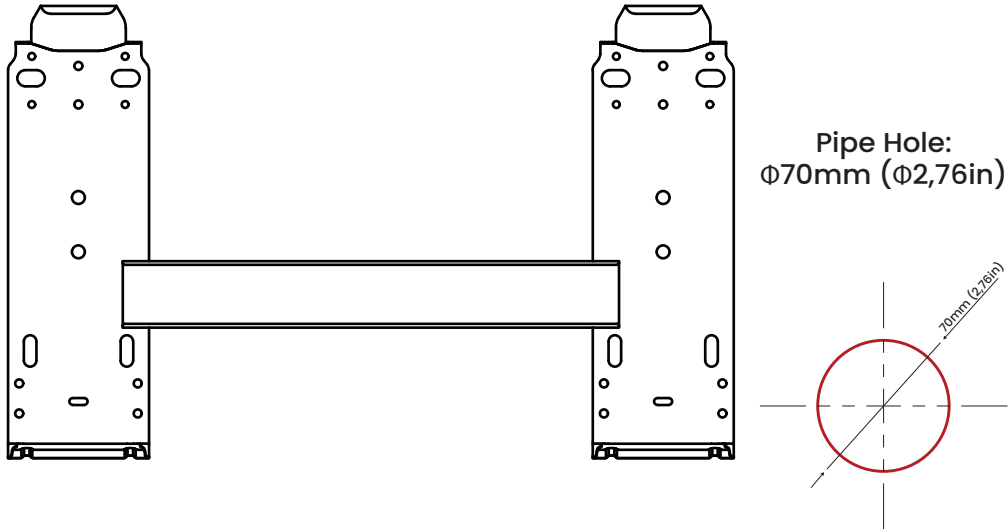
# MIRAGE

Think smart. Think cool. Think Mirage.

# WINTEK | IWFB121D - OWFB121D

Model

Serial



# MIRAGE

Think smart. Think cool. Think Mirage.