

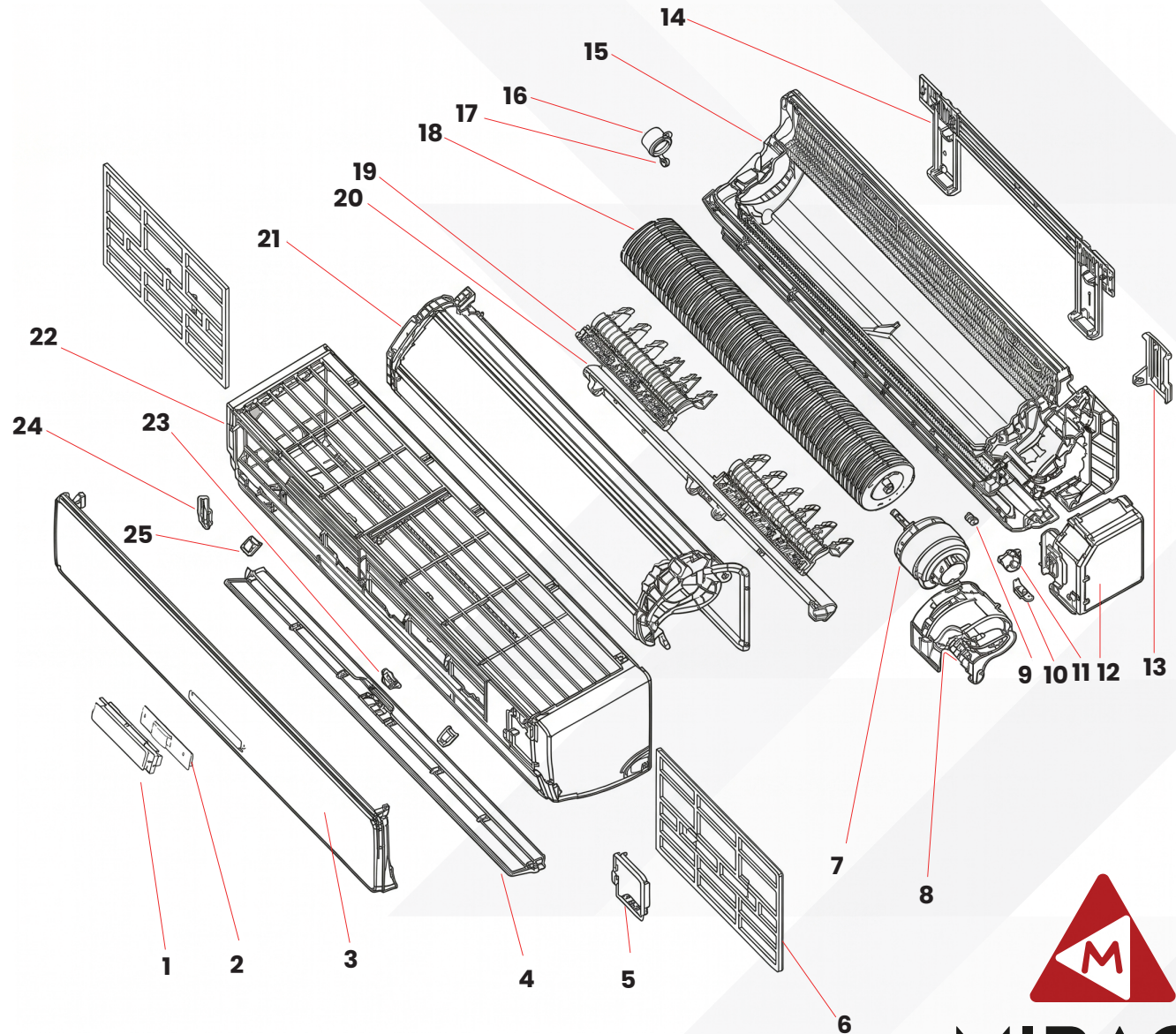
# Exploded View

Indoor Unit - IWFB 241D - 24,000 BTU

hvacmirage.us

# WINTEK

No.	Part Name
2	Display Board
3	Panel(White)
4	Air Louver Panel
5	Meduim Frame Panel
6	Healthy Anti-Bacterial Filter
7	Plastic Covering Motor
8	Motor Cover
9	Step Motor Shaft Sleeve
10	Wire Clamp
11	Step Motor
11	Step Motor
12	Control Box
12	Control Box Cover
12	Control Board (Pcb)
13	Pipe Clamp
14	Hanging Shef
15	Chassis Assembly (900-Gray)
16	Axle Supporter
17	Axle Sleeve
18	Cross Flow Fan (Blue-900)
19	Air Blade(Connected)
20	Vortex Gear
21	Evaporator
22	Meduim Frame (White)
23	Shaft Of Air Louver Panel
25	Screw Cap
26	Romote



**MIRAGE**

Think smart. Think cool. Think Mirage.

# Exploded View

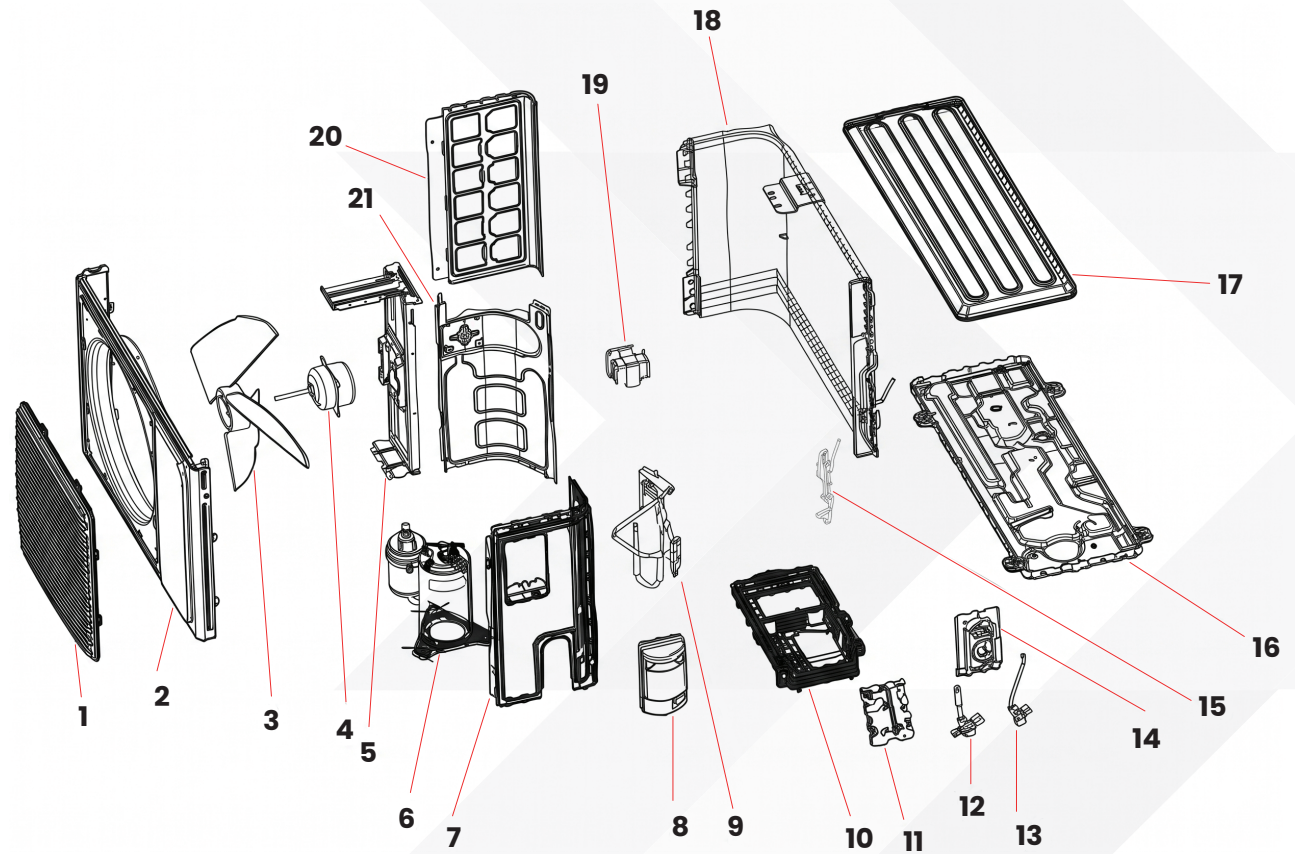
Outdoor Unit - OWFB 241D - 24,000 BTU

[hvacmirage.us](http://hvacmirage.us)

# WINTEK

## No. Part Name

- 1 Air Outlet Mesh Enclosure
- 2 Front Panel
- 3 Axial Flow Fan
- 4 Odu Continuous Current Motor
- 5 Motor Support
- 6 Variable Speed Rotary Compressor
- 7 Right Side Panel
- 8 Handle
- 9 4-Way Valve Assembly
- 10 Control Board (Pcb)
- 11 Electrical Mounting Plate
- 12 Low Pressure Valve
- 13 High Pressure Valve
- 14 Valve Mounting Plate
- 15 Capillary Assembly
- 16 Chassis
- 17 Top Cover
- 18 Condenser
- 20 Left Side Board
- 21 Partition Board



# MIRAGE

Think smart. Think cool. Think Mirage.