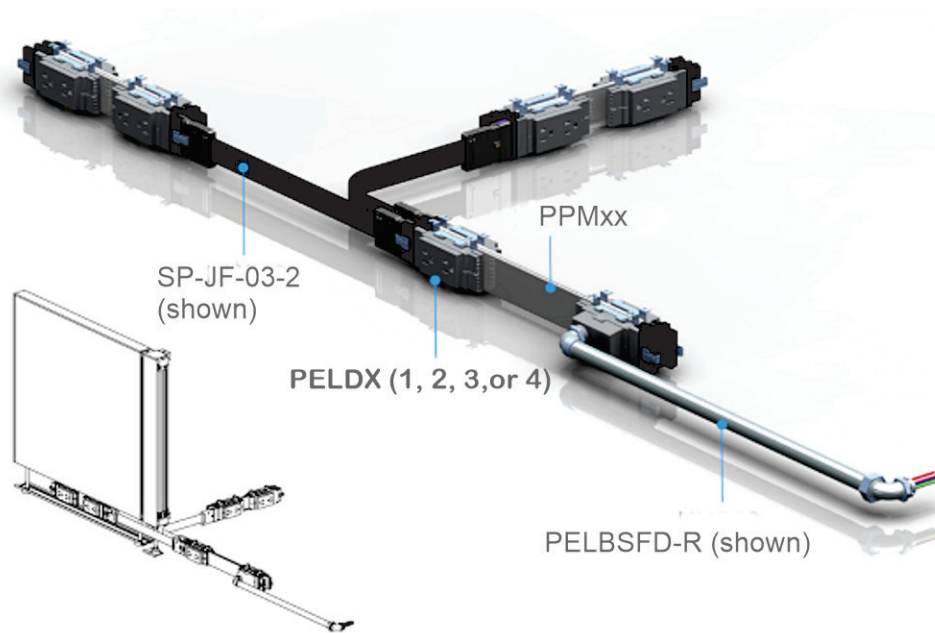


# PANEL POWER ASSEMBLY

Used to connect the electrical distribution system to the building power network at a floor level junction box or similar device.



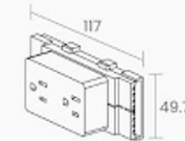
## Webb Panel System

UL Listed E498710

PELDX (1,2,3 or 4)



DUPLEX RECEPTACLE  
8 WIRE, 4 CIRCUIT CIRCUIT A/B/C/D

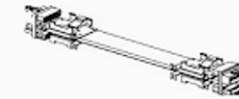


PPMxx



Size: 24" 30" 36" 42" 48"

POWER PACK  
8 WIRE, 4 CIRCUIT



SP-JF-03-x



POWER FESTOON JUMPER AO2 PANEL  
8 WIRE, 4 CIRCUIT, 19" - 23"

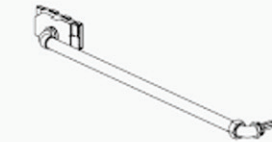


19" is SP-JF-03-1  
23" is SP-JF-03-2

PELBSFD-x (RH or LH)

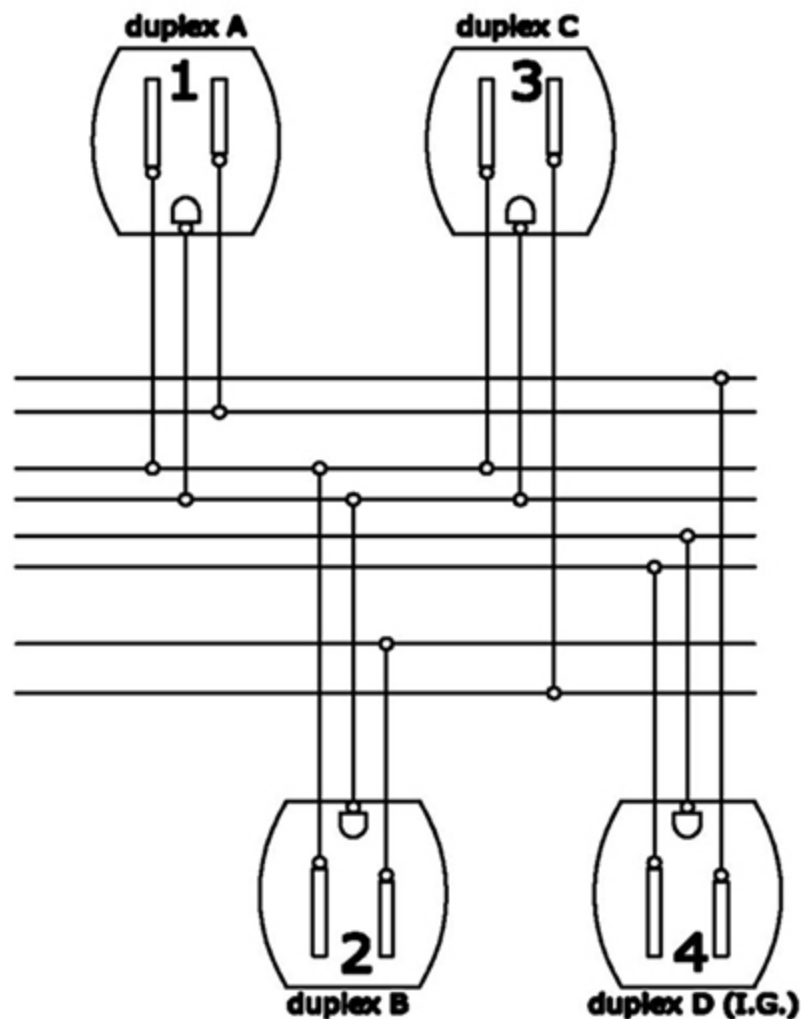
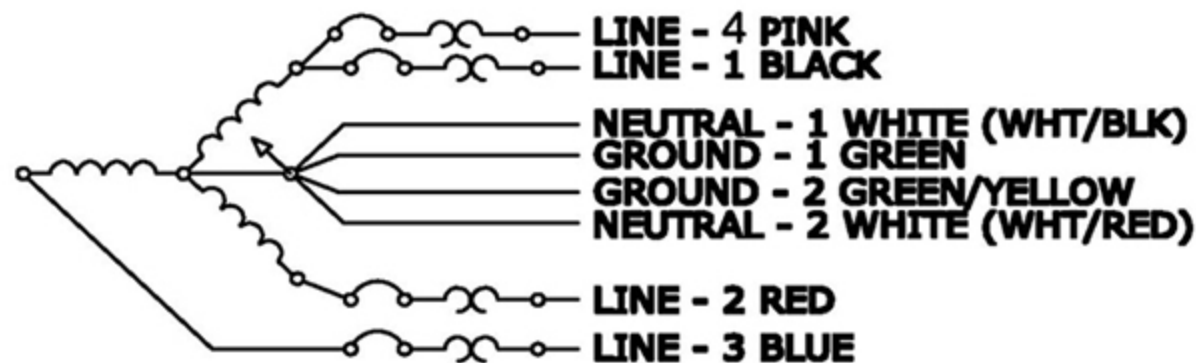


4 CIRCUIT BASE POWER ENTRY KIT  
Also available in Ceiling Feed



# Wiring Schematic

## UL 1286 8-Wire



120/208 V. WYE