



NGR06



Product Summary

The NMT® NGR06 series spring-loaded gas regulators, featuring internal relief, ensure consistent pressure control for residential, industrial, and commercial uses. Meeting ANSI Z21.80 standards for Class I and II, vent limiting, and OPD applications, they are suitable for various non-corrosive dry gas applications.

Features

- Vent limiting option.
- Internal relief - OPD.
- Outlet pressure up to 7 psig.
- Conforms to ANSI B109.4.
- Corrosion-resistant exterior.



Capacity Table

7" wc Outlet Pressure - BTU x1000 - 1" Pressure Drop

Inlet Pressure	O R I F I C E											
	1/4"		3/8"		1/2"		5/8"		3/4"		7/8"	
	NG	LP	NG	LP	NG	LP	NG	LP	NG	LP	NG	LP
10" wc	250	394	450	709	720	1134	920	1449	1100	1733	1450	2284
14" wc	310	488	650	1024	1250	1969	1750	2756	2100	3308	2750	4331
1 psi	390	614	1130	1780	2338	3682	2805	4418	3312	5216	4052	6382
2 psi	662	1043	2065	3252	3584	5645	3390	5339	5649	8897	6273	9880
3 psi	857	1350	2416	3805	3896	6136	4208	6628	6701	10554	8805	13868
5 psi	1130	1780	3039	4786	5299	8346	5297	8343	8961	14114	12831	20209
8 psi	1442	2271	3701	5829	6390	10064	6701	10554	12234	19269	15195	23932
10 psi	1558	2454	4052	6382	6857	10800	7052	11107	15506	24422	15584	24545
15 psi	1948	3068	4870	7670	8182	12887	8416	13255	21569	33971	23616	37195
25 psi	2649	4172	6156	9696	10909	17182	12952	20399	25650	40399	26598	41892
35 psi	3273	5155	6390	10064	14776	23272	16782	26432	28273	44530		
50 psi	4325	6812	6244	9834	19455	30642	22492	35425	32338	50932		
60 psi	5206	8199	8522	13422	22585	35571	26304	41429	34117	53734		
75 psi	6000	9450	9780	15404								
100 psi	7286	11475	11927	18785								
125 psi	9402	14808	13988	22031								

Black S0608C and 2" VB used to develop table.

NG = 0.63 S.G. gas = 1 CF/1000 BTU

LP = 1.53 S.G. gas = 1 CF/2500 BTU

NOTE: Relief & lever disconnect curves available upon request. Results in chart may vary for every application.

Gas Regulators

NGR06



14" wc Outlet Pressure - BTU x1000 - 2" Pressure Drop

Inlet Pressure	O R I F I C E											
	1/4"		3/8"		1/2"		5/8"		3/4"		7/8"	
	NG	LP	NG	LP	NG	LP	NG	LP	NG	LP	NG	LP
1 psi	468	737	1247	1964	2260	3560	2961	4664	3039	4786	4208	6628
2 psi	623	981	1870	2945	3351	5278	4208	6628	4675	7363	5455	8592
3 psi	779	1227	2338	3682	4130	6505	5065	7977	5766	9081	6623	10431
5 psi	1169	1841	2883	4541	5143	8100	7325	11537	8416	13255	9584	15095
8 psi	1481	2333	3506	5522	6234	9819	9584	15095	11901	18744	11065	17427
10 psi	1558	2454	3818	6013	6779	10677	10753	16936	12234	19269	13481	21233
15 psi	2026	3191	4675	7363	8338	13132	14026	22091	14551	22918	18525	29177
25 psi	2649	4172	6468	10187	10909	17182	14416	22705	15665	24672	21560	33957
35 psi	3351	5278	8104	12764	14874	23427	16351	25753	18745	29523		
50 psi	4442	6996	10442	16446	15211	23957	18311	28840	19751	31108		
60 psi	5333	8399	12538	19747	16325	25712	19481	30683	22492	35425		
75 psi	6234	9819	15100	23783								
100 psi	7532	11863	19401	30557								
125 psi	9722	15312	23702	37331								

Purple S0608D VB used to develop table. NG = 0.63 S.G. gas = 1 CF/1000 BTU LP = 1.53 S.G. gas = 1 CF/2500 BTU

NOTE: Relief & lever disconnect curves available upon request. Results in chart may vary for every application.

1 psig Outlet Pressure - BTU x1000 - 20% Pressure Drop

Inlet Pressure	O R I F I C E											
	1/4"		3/8"		1/2"		5/8"		3/4"		7/8"	
	NG	LP	NG	LP	NG	LP	NG	LP	NG	LP	NG	LP
2 psi	468	737	935	1473	2260	3560	2649	4172	2416	3805	2961	4664
3 psi	701	1104	1948	3068	3117	4909	3429	5401	3195	5032	4286	6750
5 psi	857	1350	2338	3682	4675	7363	5299	8346	5844	9204	6857	10800
8 psi	1247	1964	3351	5278	6234	9819	7792	12272	7792	12272	10052	15832
10 psi	1325	2087	3506	5522	6779	10677	11688	18409	11812	18604	12545	19758
15 psi	1792	2822	4442	6996	8416	13255	15451	24335	15584	24545	17143	27000
25 psi	2571	4049	5844	9204	12701	20004	23377	36819	25714	40500	26253	41348
35 psi	3273	5155	7403	11660	14805	23318	28556	44976	29411	46322		
50 psi	4442	6996	9351	14728	21327	33590	31168	49090	33251	52370		
60 psi	5308	8360	11374	17914	24844	39129	35065	55227	37874	59652		
75 psi	6475	10198	13623	21456								
100 psi	8437	13288	17466	27509								
125 psi	10384	16355	21259	33483								

Silver S0608E VB used to develop table. NG = 0.63 S.G. gas = 1 CF/1000 BTU LP = 1.53 S.G. gas = 1 CF/2500 BTU

NOTE: Relief & lever disconnect curves available upon request. Results in chart may vary for every application.

NGR06



2 psig Outlet Pressure - BTU x1000 - 20% Pressure Drop

Inlet Pressure	O R I F I C E											
	1/4"		3/8"		1/2"		5/8"		3/4"		7/8"	
	NG	LP	NG	LP	NG	LP	NG	LP	NG	LP	NG	LP
3 psi	545	858	1403	2210	2805	4418	3896	6136	4286	6750	6390	10064
5 psi	857	1350	2338	3682	4364	6873	6234	9819	6234	9819	9740	15341
8 psi	1247	1964	3195	5032	5844	9204	7481	11783	7792	12272	15974	25159
10 psi	1403	2210	3662	5768	6857	10800	10831	17059	10909	17182	19481	30683
15 psi	1870	2945	4519	7117	8494	13378	17922	28227	19091	30068	22597	35590
25 psi	2571	4049	6000	9450	13636	21477	26494	41728	27273	42955	30779	48477
35 psi	3195	5032	7403	11660	18701	29454	33506	52772	38182	60137		
50 psi	4208	6628	9818	15463	21923	34529	34453	54263	40922	64452		
60 psi	5076	7995	11684	18402	27292	42985	37153	58516	43301	68199		
75 psi	6139	9669	14011	22067								
100 psi	7916	12468	17984	28268								
125 psi	9705	15285	21914	34515								

Yellow S0608F VB used to develop table. NG = 0.63 S.G. gas = 1 CF/1000 BTU LP = 1.53 S.G. gas = 1 CF/2500 BTU

NOTE: Relief & lever disconnect curves available upon request. Results in chart may vary for every application.

5 psig Outlet Pressure - BTU x1000 - 20% Pressure Drop

Inlet Pressure	O R I F I C E											
	1/4"		3/8"		1/2"		5/8"		3/4"		7/8"	
	NG	LP	NG	LP	NG	LP	NG	LP	NG	LP	NG	LP
8 psi	1013	1595	2883	4541	5455	8592	7558	11904	8694	13622	11688	18409
10 psi	1325	2087	3117	4909	6545	10308	10597	16690	10753	16936	18701	29454
15 psi	1792	2822	3974	6259	8260	13010	16364	25773	14805	23318	27273	42955
25 psi	2571	4049	5766	9081	11688	18409	25714	40500	23377	36819	30779	48477
35 psi	3273	5155	7403	11660	14805	23318	31169	49091	36623	57681		
50 psi	4364	6873	9662	15218	20066	31604	34318	54051	37846	59607		
60 psi	5203	8195	11401	17957	23365	36800	38879	61234	44019	69330		
75 psi	6316	9948	13867	21841								
100 psi	8184	12890	17930	28240								
125 psi	10068	15857	21964	34593								

White S0608G VB used to develop table. NG = 0.63 S.G. gas = 1 CF/1000 BTU LP = 1.53 S.G. gas = 1 CF/2500 BTU

NOTE: Relief & lever disconnect curves available upon request. Results in chart may vary for every application.



NGR06

Specifications

- Pipe sizes 1/4" NPT to 3" FL.
 Gas Types Natural gas, LPG, other non-corrosive dry gases.
 Maximum Inlet Pressure 25 to 125 psig per orifice.
 Outlet Pressure2" wc to 7 psig.
 Maximum Emergency Inlet Pressure 175 psig.
 Operating Temperature -40°F to +140°F.
 Materials:
 - Housing Epoxy-coated aluminum.
 - Valve Body Cast iron.
 - Diaphragm/Valve Seat Buna N.
 - Orifice High-strength brass.

Spring Chart

Color	Outlet Range	P/N
Orange	2" wc - 4" wc	S0608A
Green	3" wc - 7" wc	S0608B
Black	5" wc - 13" wc	S0608C
Purple	7" wc - 20" wc	S0608D
Silver	19" wc - 2 psig	S0608E
Yellow	1.5 psig - 3 psig	S0608F
White	2.5 psig - 7 psig	S0608G

Gas Type

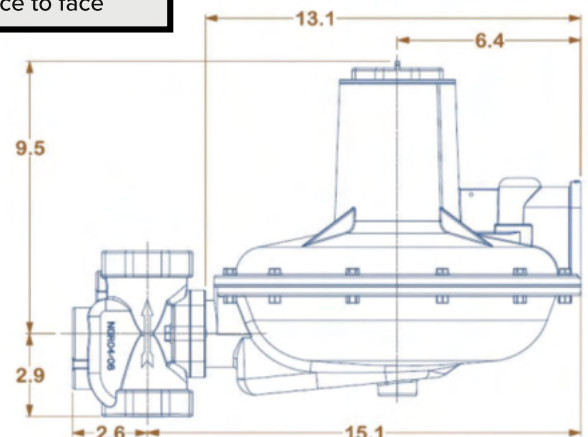
Gas	Specific Gravity	Correction Factor (VF)
Natural Gas	0.60	1.00
Propane	1.53	0.63
Air	1.00	0.77
Propane-air-mix	1.20	0.71
Nitrogen	0.97	0.79
Butane	2.01	0.55
Carbon dioxide (dry)	1.52	0.63
Carbon monoxide (dry)	0.97	0.79

Orifice Max Pressure

Size	Max Inlet Pressure	P/N
1/4"	125 psig	F0406A
3/8"	125 psig	F0406B
1/2"	60 psig	F0406C
5/8"	60 psig	F0406D
3/4"	60 psig	F0406E
7/8"	25 psig	F0406F

NGR06 Dimensions

Pipe Size	Vent (NPT)	Wt. (lb)
1 1/4", 1 1/2", 2", 2 1/2"	1"	18.25
2" FL		29.05
3" FL		36.30
All flanges 10" face to face		



Proudly distributed by:
NORGAS
 www.norgas.com