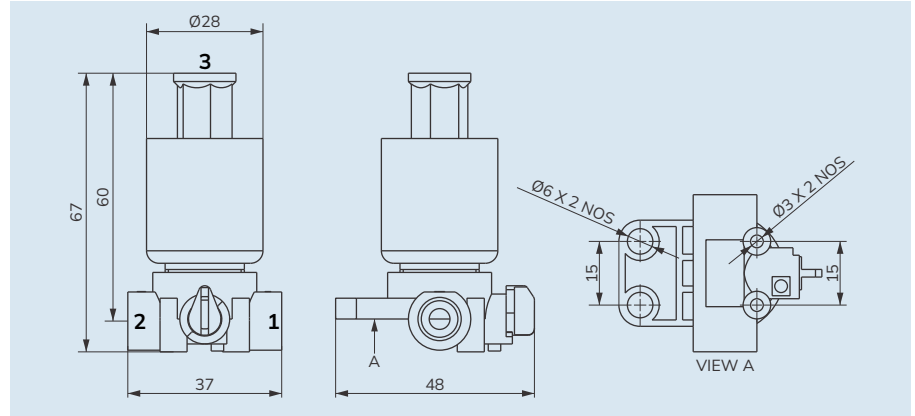


2 Way - 3 Way Direct Acting Pilot Solenoid Valve (NC / NO) - DAP Series



2 Way - 3 Way Valve Specifications

Port :	1/8" (Available BSPT / NPT)					
End Connection :	Screwed					
Body Material :	Nylon GF					
Seal & 'O'Ring :	Nitrile (NBR)					
Max Media Temp :	60°C					
Circumstance Temp :	-10°C to 50°C					
Media :	Water					
Features :	2 Position Mor					
Main Features :	Internal Parts are in superior corrosion resistance steel, (Equivalent to SS316L) Suitable for irrigation.					
Operating Voltage :	12DC	24DC	230AC	24AC	12DC - Latching	24DC - Latching
Power Consumption :	6W	6W	6W	6W	6W - Latch, 6W - Delatch	6W - Latch, 6W - Delatch

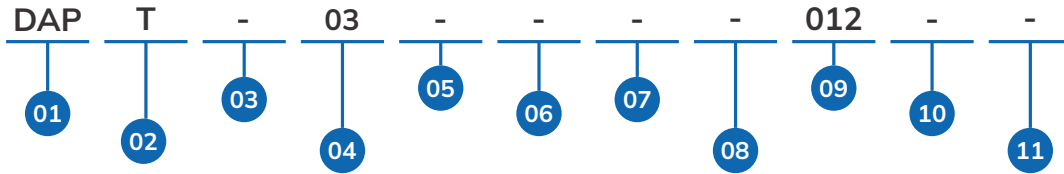
Technical Data

Model No.	Valve Type	Body Material	Pipe (Inch)	Orifice(mm)	Min. Operating Pressure Kg/cm ²	Max. Operating Pressure Kg/cm ²	Seal & Diaphragm Material	Flow Factor Kv m ³ / hr
DAP-DNC016	2 Way	Nylon GF	1/8"	1.6	0	10	NITRILE (NBR)	0.07
DAP-T03012	3 Way	Nylon GF	1/8"	1.2	0	10	NITRILE (NBR)	0.042

Pipe Connection

Valve Position	Valve Type	Port No. - 1	Port No. - 2	Port No. - 3
Normally Close	3 Way	Input	Output	Exhaust
Normally Open	3 Way	Exhaust	Output	Input
Normally Close	2 Way	Output	Input	-

DAP - SERIES DIRECT ACTING SOLENOID PLASTIC VALVE MODEL CHART



01	SERIES
	DAP

02	PRODUCT TYPE
D	2 Way
T	3 Way

03	PORT SIZE
-	1/8"

04	PRESSURE RANGE
-	0 - 10 Bar
03	0 - 7 Bar
05	0 - 16 Bar
19	0 - 5 Bar

05	PORT CONNECTION
-	BSPT
P	NPT
B	BSP

06	VALVE POSITION
-	NO
N	NC

07	COIL DIA
-	12MM
C	10MM

08	FEATURES
-	Turn Mor
3	3 Position Mor
W	W/O Mor

09	ORIFICE IN MM
012	1.2 MM
016	1.6 MM

10	CONFIGURATION
-	Regular
C1	CONFIG 1
C2	CONFIG 2
C3	CONFIG 3
⋮	⋮
C9	CONFIG 9
CA	CONFIG 10
CB	CONFIG 11

11	VERSION
-	VERSION 0
V1	VERSION 1
V2	VERSION 2
V3	VERSION 3
⋮	⋮
V9	VERSION 9
VA	VERSION 10
VB	VERSION 11