

POWERTRON®

BREAKER SERIES

BREAKER SERIES, UL LISTED, DOCKING STATION 100 – 200 AMP

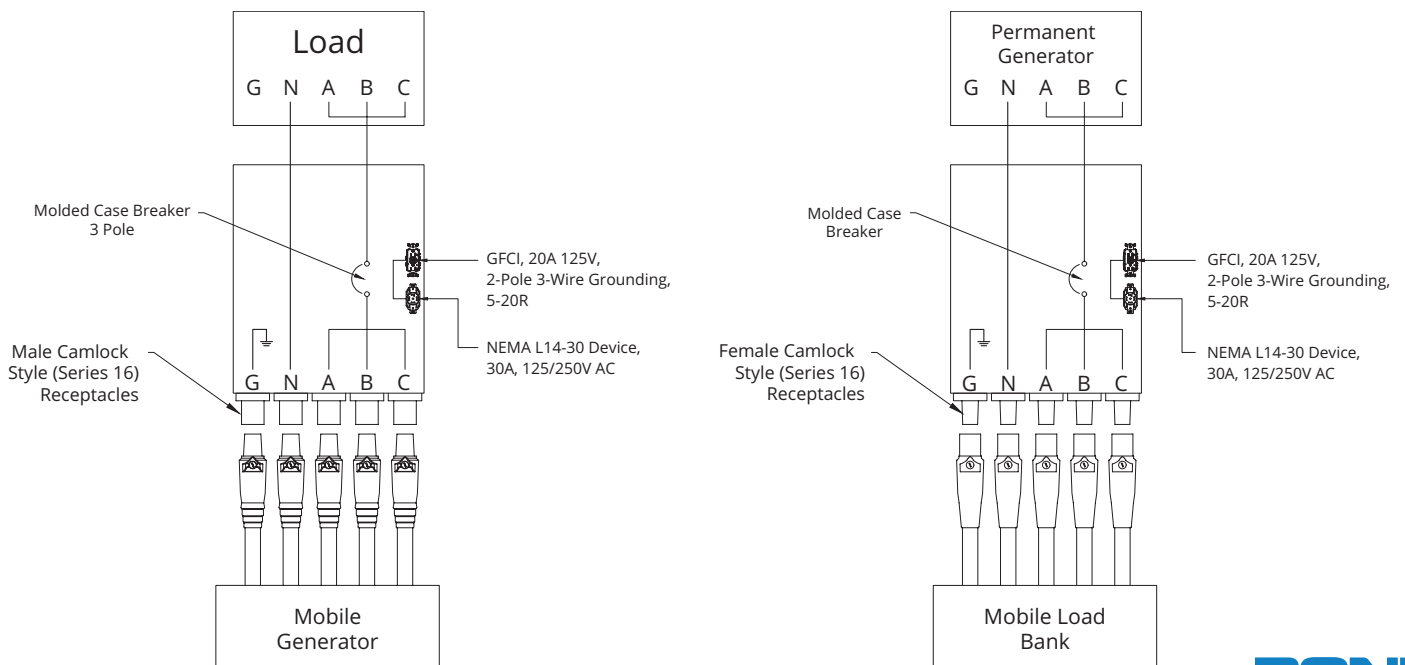
Part Number	Rating	SCCR Rating	Technical Data	Enclosure Option	Dimensions
TBQCB(X)01-SWMS(XXX)	100	18 kA RMS 600 VAC Max	3 Phase, 5 Wire, 208Y/120 VAC, 240/120 VAC, 480Y/277 VAC, or 600/347 VAC	Wall mount, mild steel or stainless steel	27.3"H x 24"W x 18.8"D
TBQCB(X)01-SWSS(XXX)					
TBQCB(X)02-SWMS(XXX)	200				
TBQCB(X)02-SWSS(XXX)					

(X) = male (M) or female (F) camlocks; ex : TBQCBM01

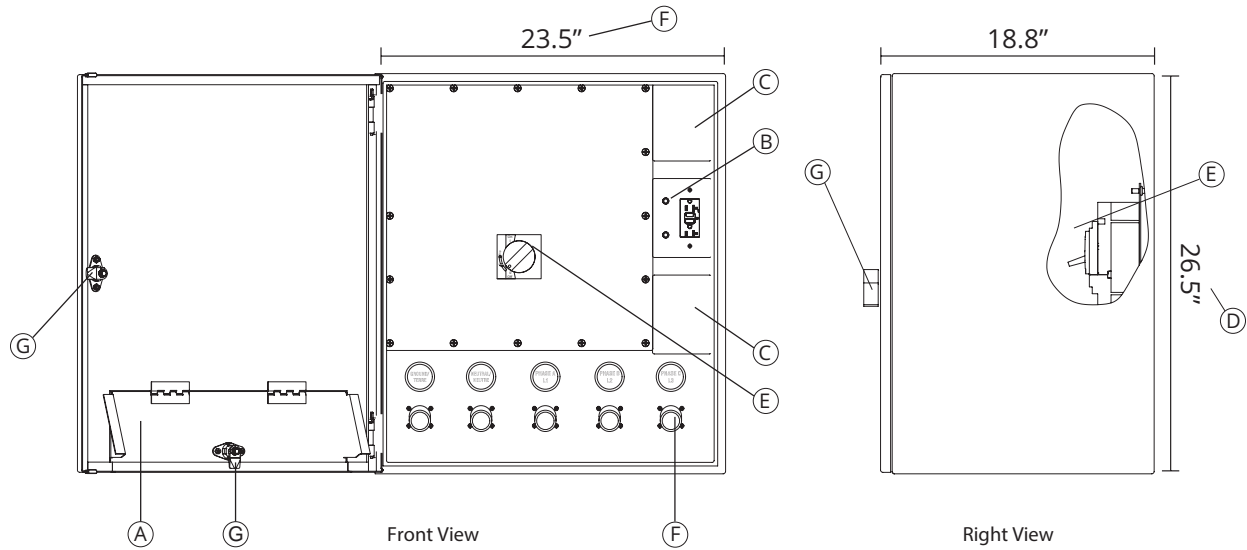
(XXX) = voltage being used; ex : SWMS480

- Thermal Magnetic Breaker Standard (Electronic Available)
- UL Listed NEMA 3R Enclosure
- Trapped cable door prevents cable disconnection by unauthorized personnel
- Completed assembly safety agency approved
 - cULus Listed 1008 / Control # 47HY / Product ID: Enclosed Power Inlet
 - cULus Listed 891 / Control #WEVZ / Product ID: Enclosed Power Outlet

TYPICAL ONE LINE DIAGRAM (INPUT AND OUTPUT PANELS)



DIMENSIONS OF BREAKER SERIES 100-200 AMP



ENCLOSURE SPECIFICATIONS

Type	Height	Width	Depth	Material	Color/Finish
NEMA 3R	27.3"	24"	18.8"	Mild Steel	ANSI 61 Gray
				Stainless Steel	Clear Brushed Finish

Standard Components	
A	Trapped Cable Door
B	Remote Start/Stop Terminals
C	Additional Accessory Mounting
D	Mounting Hole Pattern – (4X) 0.50" dia. (23.5" x 26.5")
E	Molded Case Breaker
F	Series 16, 400 Amp, 600 VAC, Single Pole Camlock Receptacle
G	Key Lock Handle

ORDERING INFORMATION

Series		Camlock Type		Amperage		Enclosure Option		Voltage	
TBQCB	Breaker	M	Male	01	100A	SWMS	Small Wall Mount Mild Steel	208	208Y/120V
		F	Female	02	200A	SWSS	Small Wall Mount Stainless Steel	240	240/120V
								480	480Y/277V
								600	600Y/347V

Voltage	Ground	Neutral	L1	L2	L3	# of Rows (100A)	# of Rows (200A)
208Y/120	GRN	WHT	BLK	RED	BLU	x1	x1
240/120	GRN	WHT	BLK	RED	BLU	x1	x1
480Y/277	GRN	WHT	BRN	ORG	YEL	x1	x1
600/347	GRN	WHT	BLK	RED	BLU	x1	x1

Revised 2024.01

RONK

Sales: 1-800-221-7665 • Service & Support: 1-217-563-8333

PO Box 160, 106 E State Street, Nokomis, IL 62075-0160 • sales@ronkelectrical.com • www.ronkelectrical.com