

# POWERTRON<sup>®</sup>

Product Guide

Discover the

POWERTRON

Difference



## Table of Contents

About Powertron	pg. 3-4
Switch Lineup	pg. 5-6
Technical Specifications	pg. 7-8
Powertron DTS	pg. 9-10
Powertron MTS	pg. 11-12
Powertron ATS	pg. 13-14
Meter-Rite SIS	pg. 15-16
Tap Box Model Overview	pg. 17-18
Tap Box Lineup	pg. 19-20
Tap Box Enclosures	pg. 21-22
Accessories	pg. 23-26
Technical Specifications	pg. 27-28
Contractor Series	pg. 29-36
Standard Series	pg. 37-44
Breaker Series	pg. 45-52
Interlocked Breaker Series	pg. 53-54
MTS Series	pg. 55-60
Generator Tap Box ATS	pg. 61-66
Dual-Purpose MTS Series	pg. 67-70
Cable Assemblies	pg. 71-72
Powertron and RONK	pg. 73-74

# HISTORY OF POWERTRON

From Field-Tested Roots to Industry-Leading Innovation.

Powertron's legacy began in the 1960s as a trusted name in generator service and sales, originally supporting Caterpillar and later Kohler generators in the greater Chicagoland area. In 2008, Powertron shifted its focus to the manufacturing of generator and load bank tap boxes, bringing decades of hands-on experience into every product we build.

From the very beginning, Powertron products have been engineered with safety, practicality, and quality in mind. Designed for ease of installation and reliable performance in the field, our equipment is built to meet the demands of emergency responders, electrical contractors, and facilities professionals who rely on dependable power transfer systems.

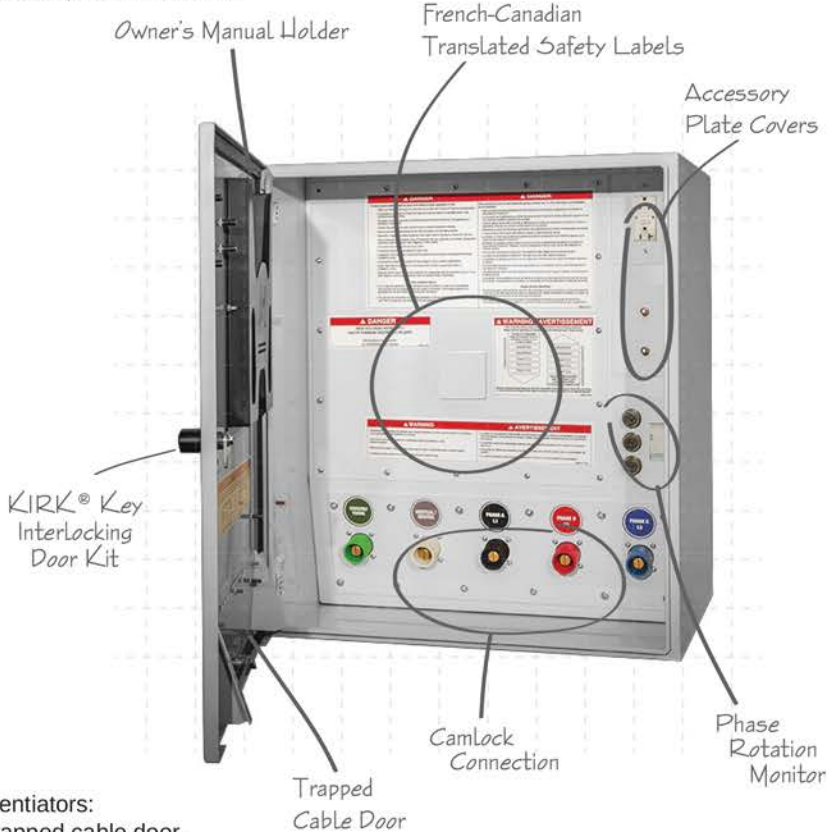
In 2022, Powertron became part of RONK Electrical Industries, a company with a 75-year legacy of delivering trusted power solutions to utilities, municipalities, contractors, and other power suppliers. Under RONK's leadership, the Powertron brand continues to grow, offering an expanded line of tap boxes, transfer switches, and innovative power distribution solutions that are code-compliant, user-friendly, and ready to perform when it matters most.

This catalog showcases the full range of Powertron products available today, from our original tap box designs to the latest additions including ATS (Automatic Transfer Switch), MTS (Manual Transfer Switch), DTS (Double-Throw Switch), and Dual-Purpose systems. Whether you're outfitting a critical facility or preparing for storm season, Powertron delivers the quality you expect and the safety you can rely on.



### Where We Excel:

- Premiere off the shelf products: True manufactured products not custom 1-off's.
- Industry leading lead times: We keep a heavy amount of component inventory and sub-assemblies in stock to allow responsive lead times.
- Relevant product information: We lead the industry in providing product information that is relevant and accessible.
- Lean Manufacturing processes and procedures: Our quality control team are continuously improving the way we communicate internally, manage our inventory, and how we manufacturer.
- Technical Questions/Quoting: We try to get you a response in a few hours if not most times, in minutes.
- Ease of doing business: We serve many customers Engineers, Installers, Channel Partners, and End-Users.



### Differentiators:

- Trapped cable door.
- UL listed 1008 in US & Canada.
- Best component manufacturers within the industry.
- Assembled in the USA.

**SWITCH LINEUP**

The Powertron line of transfer switches is engineered to deliver safe, reliable, and efficient power transfer for critical applications across commercial, industrial, and residential markets. Built in durable NEMA 3R enclosures, each unit is designed to perform under demanding field conditions while maintaining the precision and quality that define RONK products. The Powertron Automatic Transfer Switch (ATS), Manual Transfer Switch (MTS), and Double-Throw Switch (DTS) each offer tailored solutions for controlling power between the power supplier and generator sources. From automated, hands-free operation to rugged manual control, Powertron switches provide the dependable performance and straightforward installation that electrical professionals trust. Together, these models represent RONK’s commitment to innovation, safety, and long-term reliability in power management.

**POWERTRON MTS (Manual Transfer Switch)**



**Features:**

- UL1008 manual transfer switches come standard in a NEMA Type 4/12 powder-coated steel wall-mount enclosure; 4X-316 stainless steel enclosures are also available.
- The compact mechanism is completely enclosed, and the rotary operator handle is mounted on the door and lockable in three positions: On Line, Off, and On Auxiliary.
- Available for single phase and three phase power. All 2-pole and 3-pole models have a solid neutral bar, and 4-pole models have a switched neutral on the fourth pole.
- Lugs are factory installed for connection to switch poles.
- Factory installed auxiliary contacts for remote ON/OFF signaling or electrical interlocking.

**Available Configurations:**  
100A, 200A, 260A, 400A, 600A, 800A, 1200A

**POWERTRON ATS (Automatic Transfer Switch)**



**Features:**

- Comes standard as NEMA 3R wall-mount enclosure, level 3 controller.
- UL1008.
- User-friendly digital controller comes factory set with common trips and time delays.
- Easy to change parameters, test and has the option to switch to manual mode if needed.
- TruONE® HMI is password protected and provides access to a variety of features, including programmable set points, time delays, digital I/O, exercisers, switch status, event logging, and diagnostics.

**Available Configurations:**  
60A, 100A, 200A, 260A, 400A, 600A, 800A, 1000A, 1200A

**POWERTRON DTS (Double-Throw Switch)**



**Features:**

- SUSE rated switches include upgrades to comply with requirements in NEC2023.
- Heavy-duty double-throw switches come standard in a NEMA Type 4/12 powder-coated steel wall-mount enclosure.
- NEMA Type 4X-316 stainless steel enclosures are also available-specify when ordering.
- The compact mechanism is completely enclosed and the rotary operator handle is mounted on the door and lockable in three positions: On Line, Off, and On Auxiliary.
- Lugs are factory installed for connection to switch poles. Mounting feet are attached at each of the four corners.
- Factory-installed auxiliary contacts for remote ON/OFF signaling or electrical interlocking.
- Switches are rated 100% capacity, continuous duty.

**Available Configurations:**  
100A, 200A, 400A, 600A, 800A, 1200A

TECHNICAL SPECIFICATIONS



**POWERTRON DTS**

POWERTRON DTS switches provide economical, reliable, and safe transfer of low voltage loads between main power and an auxiliary source.

Heavy-duty double-throw switches come standard in a NEMA Type 4/12 powder-coated steel wall-mount enclosure; 4X(316) stainless steel enclosures are also available. Add 'SS' to the end of the part number for stainless steel options. [Example: 4102SESS]

The compact operating mechanism is fully enclosed and incorporates a double-break-per-pole design utilizing a sliding bar contact system. This mechanism provides rapid opening and closing action, ensuring the simultaneous disconnection and connection of all power contacts. A door-mounted rotary handle allows operation and can be padlocked in any of three positions: On Line, Off, and On Auxiliary.

Available for single phase and three phase power. All 2-pole and 3-pole models have a solid neutral bar, and 4-pole models have a switched neutral on the fourth pole.

Lugs are factory installed for connection to switch poles.

Factory-installed auxiliary contacts for remote ON/OFF signaling or electrical interlocking.

Caution: Do not switch between sources with motor loads operating.


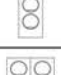
**MANUAL, 600 VAC RATED, NOT-FUSED, WITH CENTER-OFF POSITION**

The switches listed below are rated 100% capacity, continuous duty.

Part Number	Current	Poles	UL98 Listed	SUSE Rated	Approx. Weight (lbs)
4102SE*	100A	2	Yes	Yes	67
4103SE*		3	Yes	Yes	69
4104		4	Yes		71
4202SE*	200A	2	Yes	Yes	78
4203SE*		3	Yes	Yes	80
4204		4	Yes		82
4402SE*	400A	2	Yes	Yes	200
4403SE*		3	Yes	Yes	202
4404		4	Yes		204
4603SE*	600A	3	Yes	Yes	320
4604		4	Yes		323
4803SE*	800A	3	Yes	Yes	407
4804		4	Yes		410
4903	1200A	3	Yes		415
4904		4	Yes		419

**Note:** \*SE stands for Suitable for Use as Service Equipment. SUSE rated switches include upgrades to comply with requirements in NEC2023.

**WIRE RANGES**

Part Number	Current	Lug Connections (Line, Auxiliary, Load, Neutral)	Wires Allowed per Lug	Lugs per Pole	Lug Image
4102SE	100A	#6 - 300 MCM Cu/Al	1	1	
4103SE					
4104					
4202SE	200A	#6 - 300 MCM Cu/Al	1	1	
4203SE					
4204					
4402SE	400A	#4 - 600 MCM Cu/Al or 1/0 - 250 MCM Cu/Al	1 or 2	1	
4403SE					
4404					
4603SE	600A	#2 - 600 MCM Cu/Al	2	1	
4604					
4803SE	800A	#2 - 600 MCM Cu/Al	2	2	
4804					
4903	1200A	#2 - 600 MCM Cu/Al	2	2	
4904					

**NEC2023 COMPLIANT** 

**AUXILIARY CONTACTS**

81 - COM	POS I - LINE
82 - NC	
84 - NO	
91 - COM	POS II - LINE
92 - NC	
94 - NO	
<b>AUXILIARY DRY CONTACTS</b>	
14 - 16 AWG 600V	
General Use 10A 250 Vac Max I min. 100mA	

**DIMENSIONS OF ENCLOSURES BY MODEL**

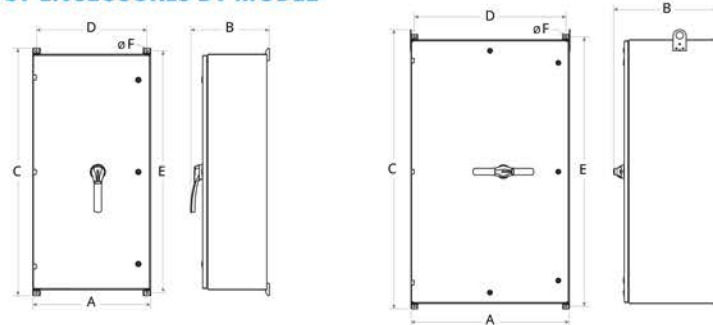


Figure 1.

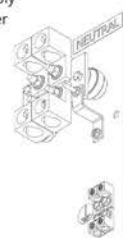
Figure 2.

Part Number	Current	Figure #	A	B	C	D	E	F
4102SE	100A	1	20	13-3/8	26-7/16	18-1/2	25-5/16	7/16
4103SE								
4104								
4202SE	200A	1	20	13-3/8	32-7/16	18-1/2	31-5/16	7/16
4203SE								
4204								
4402SE	400A	1	24	20	50-7/16	22-1/2	49-5/16	7/16
4403SE								
4404								
4603SE	600A	1	36	24-1/16	50-7/16	34-1/2	49-5/16	7/16
4604								
4803SE	800A	2	36	24	63-1/2	34-1/2	61-5/16	7/16
4804								
4903	1200A	2	36	24	63-1/2	34-1/2	61-5/16	7/16
4904								

**SERVICE EQUIPMENT BONDING**

When the switch is used as Service Equipment, the Bonding Jumper must be installed connecting the Neutral Assembly to the Panel. Reference Article 230 of NFPA 70® / National Electrical Code® for information on Service Installations. Per 230-91, when the Service Overcurrent Device is not an integral part of the Service Disconnecting Means, it "shall be located immediately adjacent thereto". Reference Article 250 for information on grounding and bonding.

- For 100-200 Amp units, use the included bonding braid and #10-32 ground screws.  
Torque: 30in.-lbs.
- For 400 Amp units, use the included copper bus bar and 1/4-20 serrated nuts.  
Torque: 75in.-lbs.
- For 600-800 Amp units, use the included copper bus bar and 3/8-16 serrated nuts.  
Torque: 240in.-lbs.



**POWERTRON MTS**

**MANUAL, NON-FUSED, WITH CENTER-OFF POSITION**

The switches listed are rated 100% capacity, continuous duty.

POWERTRON MTS provide economical, reliable, and safe transfer of loads between main power and auxiliary source.

UL1008 manual transfer switches come standard in a NEMA Type 4/12 powder-coated steel wall-mount enclosure; 4X-316 stainless steel enclosures are also available. Add 'SS' to the end of the part number for stainless steel options. [Example: 5102SESS]

The compact operating mechanism is fully enclosed and incorporates a double-break-per-pole design utilizing a sliding bar contact system. This mechanism provides rapid opening and closing action, ensuring the simultaneous disconnection and connection of all power contacts. A door-mounted rotary handle allows operation and can be padlocked in any of three positions: On Line, Off, and On Auxiliary.

Available for single phase and three phase power. All 2-pole and 3-pole models have a solid neutral bar, and 4-pole models have a switched neutral on the fourth pole.

Lugs are factory installed for connection to switch poles.

Factory installed auxiliary contacts for remote ON/OFF signaling or electrical interlocking.

\*\*Total System Transfer Amperage - Suitable for control of motors, electric discharge lamps, tungsten filament lamps and electric heating equipment where the sum of motor full-load ampere ratings and the ampere ratings of other loads do not exceed the ampere rating of the switch and the tungsten load does not exceed 30 percent of switch rating.

Part Number	General Rating	Total System Transfer**	
		Voltage	Amperage
5102SE	100A 600V	240 Vac	100
		240 Vac	100
5103SE 5104	100A 600V	480 Vac	100
		600 Vac	100
		600 Vac	100
5202SE	200A 600V	240 Vac	200
		240 Vac	200
5203SE 5204	200A 600V	480 Vac	100
		600 Vac	100
		600 Vac	100
5302SE	260A 600V	240 Vac	260
		240 Vac	260
5303SE 5304	260A 600V	480 Vac	260
		600 Vac	200
		600 Vac	200
5402SE	400A 600V	240 Vac	400
		240 Vac	400
5403SE 5404	400A 600V	480 Vac	400
		600 Vac	200
		600 Vac	200
5603SE 5604	600A 600V	240 Vac	400
		480 Vac	350
		600 Vac	350
5803SE 5804	800A 600V	240 Vac	700
		480 Vac	600
		600 Vac	600
5903 5904	1200A 600V	240 Vac	700
		480 Vac	600
		600 Vac	600

**WIRE RANGES**

Part Number	Poles	Lug Connections (Line, Auxiliary, Load, Neutral)	Wires Allowed per Lug	Lugs per Pole	Lug Image
5102SE	2	#6 - 300 MCM Cu/Al	1	1	
5103SE	3				
5104	4				
5202SE	2	#6 - 300 MCM Cu/Al	1	1	
5203SE	3				
5204	4				
5302SE	2	#4 - 600 MCM Cu/Al or 1/0 - 250 MCM Cu/Al	1 or 2	1	
5303SE	3				
5304	4				
5402SE	2	#4 - 600 MCM Cu/Al or 1/0 - 250 MCM Cu/Al	1 or 2	1	
5403SE	3				
5404	4				
5603SE	3	#2 - 600 MCM Cu/Al	2	1	
5604	4				
5803SE	3	#2 - 600 MCM Cu/Al	2	2	
5804	4				
5903	3				
5904	4	#2 - 600 MCM Cu/Al	2	2	

Note: \*SE stands for Suitable for Use as Service Equipment.

**AUXILIARY CONTACTS**

81 - COM	82 - NC	POS I - LINE
84 - NO		
91 - COM	92 - NC	POS II - LINE
		94 - NO
<b>AUXILIARY DRY CONTACTS</b>		
14 - 16 AWG 600V		
General Use 10A 250 Vac Max 1 min. 100mA		



**DIMENSIONS OF ENCLOSURES BY MODEL**

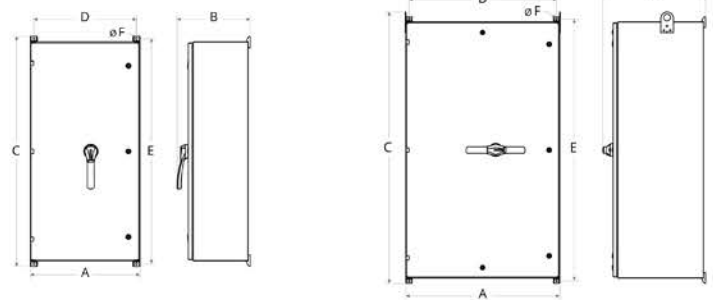


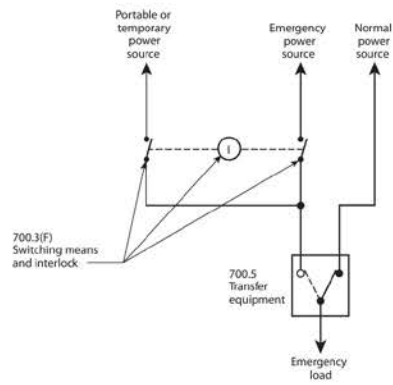
Figure 1.

Figure 2.

Part Number	Figure #	Approx. Weight	A	B	C	D	E	F
5102SE	1	70 lbs.	20	13-3/8	26-7/16	18-1/2	25-5/16	7/16
5103SE								
5104								
5202SE	1	80 lbs.	20	13-3/8	32-7/16	18-1/2	31-5/16	7/16
5203SE								
5204								
5302SE	1	200 lbs.	24	20	50-7/16	22-1/2	49-5/16	7/16
5303SE								
5304								
5402SE	1	200 lbs.	24	20	50-7/16	22-1/2	49-5/16	7/16
5403SE								
5404								
5603SE	1	320 lbs.	36	24-1/16	50-7/16	34-1/2	49-5/16	7/16
5604								
5803SE	2	400 lbs.	36	24	63-1/2	34-1/2	61-5/16	7/16
5804								
5903	2	415 lbs.	36	24	63-1/2	34-1/2	61-5/16	7/16
5904								

**SIRCOVER UL 98/1008**

The SIRCOVER UL 98/1008 can also be used as switching means to a temporary power supply in emergency systems (systems needed for human safety) as described in article 700.3(F) of the NEC (see example: "switching means and interlock").



Example of connection for temporary or portable power (1). (1) National Fire Protection Agency, NFPA 70: National Electrical Code®, 2017 Edition. Quincy, MA: National Fire Protection Agency, 2016, p. 70-581.

# POWERTRON ATS

The POWERTRON Automatic Transfer Switch (ATS) ensures your critical loads are seamlessly transferred during a power outage. By continuously monitoring your business's power supply, the Powertron ATS detects interruptions or failures due to accidents or adverse weather and promptly switches to generator power. This keeps your essential machines, devices, and appliances running safely and efficiently.

The POWERTRON ATS features a robust NEMA 3R steel enclosure. Its user-friendly TruONE® HMI is password protected and provides access to a variety of features, including programmable set points, time delays, digital I/O, exercisers, switch status, event logging, and diagnostics.



## PART NUMBER BUILDER

PRODUCT LINE	FAMILY	TYPE	AMP	PHASE POLES	NEUTRAL	CONTROLLER	VOLTAGE	ENCLOSURE	SERVICE ENTRANCE	BREAKER TYPE	INTERRUPTING RATINGS (SE Model Only)
<b>P</b> (Powertron)	<b>OX</b>	<b>A</b> Open Transition	060	<b>2**</b>	<b>X</b> Solid Neutral	<b>2</b>	<b>Q</b> 200-480V	<b>MS3R</b> NEMA 3R	<b>SE</b>	<b>TM</b> Thermal Mag Molded Case - 80% Rated	<b>N</b> 65K @240V 35K @ 480V
			100	<b>3</b>	<b>S</b> Switched Neutral	<b>3</b>		<b>SS3R304</b> NEMA 3R, Stainless Steel 304		<b>ET</b> Electronic Trip (LSI)	<b>H</b> 150K @240V 65K @ 480V
			200	<b>4</b>				<b>SS3R316</b> NEMA 3R, Stainless Steel 316			
			260					<b>SS4X304</b> NEMA 4X, Stainless Steel 304			
			400					<b>SS4X316</b> NEMA 4X, Stainless Steel 316			
			600								
			<b>800</b>								
			1000								
			1200								

[ Add for Service Rated Switch Only ]

**\*Bold** denotes standard product offering  
**\*\*** 2 phase poles available only with 60-600 Amp units

**Example Part # - POXA8003X3QMS3R** 800 Amp, 3 Pole, Solid Neutral, Level 3 Controller, 200-480V, NEMA 3R Enclosure

## FEATURES

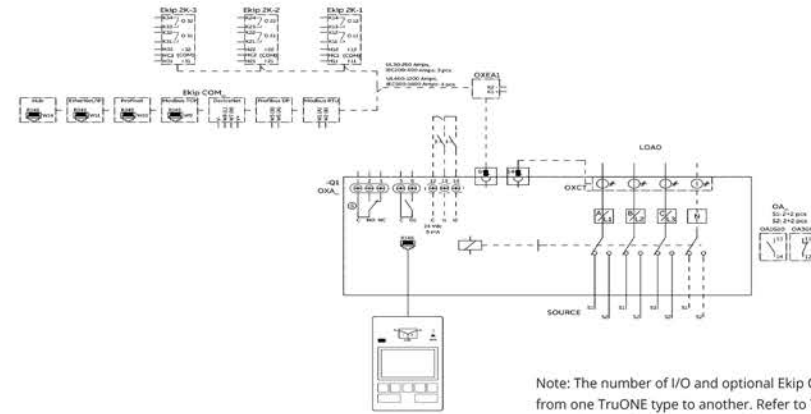
- Comes standard as NEMA 3R enclosure, level 3 controller
- UL Listed
- User-friendly digital controller comes factory set with common trips and time delays
- Easy to change parameters, test and has the option to switch to manual mode if needed

## CONTROL AT YOUR FINGERTIPS

Once sources are connected, an innovative auto-configure function via the HMI sets electrical system parameters in seconds. Because of the innovative technology, no additional control wiring or troubleshooting is required on-site. And any programming changes can be done from the HMI with a few keystrokes, making commissioning quick and painless.

## WIRING DIAGRAM

TruONE ATS, open transition (types OXA\_)



Note: The number of I/O and optional Ekip Com modules vary from one TruONE type to another. Refer to TruONE feature comparison and accessory pages for more details.

## ENCLOSURE SPECIFICATIONS

Part Number	Approx. Unit Total Wt.	Enclosure Size	Input Lugs Source 1 (Non SE only)	Input Lugs Source 2	Output Lugs
POXA060...	125lbs	42"Hx24"Wx10"D	14AWG-2/0AWG; Qty 1/pole	14AWG-2/0AWG; Qty 1/pole	14AWG-2/0AWG; Qty 1/pole
POXA100...	125lbs		6AWG-300MCM; Qty 1/pole	4AWG-300MCM; Qty 1/pole	6AWG-300MCM; Qty 1/pole
POXA200...	125lbs		6AWG-300MCM; Qty 1/pole	4AWG-300MCM; Qty 1/pole	6AWG-300MCM; Qty 1/pole
POXA260...	200lbs	48"Hx36"Wx16"D	4AWG-600MCM; Qty 1/pole or 1/0AWG-250MCM; Qty 2/pole	4AWG-600MCM; Qty 1/pole	4AWG-600MCM; Qty 1/pole
POXA400...	205lbs		4AWG-600MCM; Qty 1/pole or 1/0AWG-250MCM; Qty 2/pole	4AWG-600MCM; Qty 1/pole	4AWG-600MCM; Qty 1/pole
POXA600...	280lbs	60"Hx36"Wx16"D	2AWG-600MCM; Qty 2/pole	2AWG-600MCM; Qty 2/pole	2AWG-600MCM; Qty 2/pole
POXA800...	365lbs		2AWG-600MCM; Qty 4/pole	2AWG-600MCM; Qty 4/pole	2AWG-600MCM; Qty 4/pole
POXA1000...	365lbs	72"Hx36"Wx16"D	2AWG-600MCM; Qty 4/pole	2AWG-600MCM; Qty 4/pole	2AWG-600MCM; Qty 4/pole
POXA1200...	365lbs		2AWG-600MCM; Qty 4/pole	2AWG-600MCM; Qty 4/pole	2AWG-600MCM; Qty 4/pole
			Input Lugs On Brkr (SE only)		
POXA060...SE	130lbs	42"Hx24"Wx10"D	14AWG-1/0AWG; Qty 1/pole	14AWG-2/0AWG; Qty 1/pole	14AWG-2/0AWG; Qty 1/pole
POXA100...SE	130lbs		14AWG-1/0AWG; Qty 1/pole	4AWG-300MCM; Qty 1/pole	6AWG-300MCM; Qty 1/pole
POXA200...SE	135lbs		4AWG-300MCM; Qty 1/pole	4AWG-300MCM; Qty 1/pole	6AWG-300MCM; Qty 1/pole
POXA260...SE	210lbs	48"Hx36"Wx16"D	4AWG-300MCM; Qty 1/pole	4AWG-600MCM; Qty 1/pole	4AWG-600MCM; Qty 1/pole
POXA400...SE	220lbs		2/0AWG-500MCM; Qty 2/pole	4AWG-600MCM; Qty 1/pole	4AWG-600MCM; Qty 1/pole
POXA600...SE	300lbs	60"Hx36"Wx16"D	2/0AWG-500MCM; Qty 2/pole	2AWG-600MCM; Qty 2/pole	2AWG-600MCM; Qty 2/pole
POXA800...SE	400lbs		2/0AWG-400MCM; Qty 3/pole	2AWG-600MCM; Qty 4/pole	2AWG-600MCM; Qty 4/pole
POXA1000...SE	400lbs	72"Hx36"Wx16"D	4/0AWG-500MCM; Qty 4/pole	2AWG-600MCM; Qty 4/pole	2AWG-600MCM; Qty 4/pole
POXA1200...SE	400lbs		4/0AWG-500MCM; Qty 4/pole	2AWG-600MCM; Qty 4/pole	2AWG-600MCM; Qty 4/pole

# METER-RITE® SOURCE ISOLATION SWITCH

**Why Meter-Rite?** Pair the Meter-Rite Source Isolation Switch with Powertron equipment to separate and secure the source side while providing a reliable path for transfer, testing, and temporary generation. This combination improves safety, simplifies inspections, and aligns with modern design practices for storage and backup power.

## PRODUCT OVERVIEW



The Meter-Rite Source Isolation Switch is RONK's next step into renewable energy solutions, designed to provide a reliable and compliant method of isolating a power source from a Battery Energy Storage System (BESS). With support for both single phase and three phase configurations and a wide current range of 100A to 1200A, this switch offers the flexibility needed for residential, commercial, and utility-scale applications.

Built with safety at the forefront, the Source Isolation Switch integrates a UL489 Molded Case Circuit Breaker (MCCB) and carries UL508A certification, ensuring dependable protection and simplified approval across multiple installations. Its NEMA 4/12 outdoor-rated enclosure provides rugged durability in demanding environments, while full G99/1 and G98/1 compliance supports seamless integration with international renewable energy standards.

Engineered for Battery Energy Storage Systems, renewable energy projects, microgrids, and utility interconnections, the Meter-Rite Source Isolation Switch provides the positive isolation required to ensure safe maintenance, reliable grid compatibility, and long-term system performance. Backed by more than 75 years of proven RONK reliability, it represents a powerful and trusted solution for today's evolving energy landscape.

## FEATURES AND BENEFITS

- Wide Current Range (100A-1200A):** Flexible enough to serve residential, commercial, and industrial energy storage applications.
- Single Phase & Three Phase Support:** Ensures compatibility across a broad range of installation environments.
- UL508A & UL489 MCCB Listed:** Built to meet stringent U.S. safety standards.
- G99/1 & G98/1 Compliance:** Grid-ready for international renewable energy installations.
- NEMA 4/12 Outdoor Rated:** Designed for durability and weather resistance in outdoor applications.
- Positive Isolation for BESS Applications:** Provides safe, reliable separation between the grid and battery energy storage systems.
- Compliance:** Meets NEC & IEC isolation requirements.

## PART NUMBER BUILDER

Family	Phase	Amperage	Voltage
SIS	1	100	240V
	3	200	480V*
		250	
		400	
		600	
		800	
		1000	
		1200	

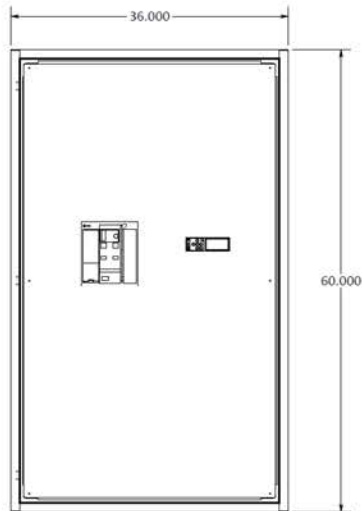
\* Available in three phase only.

**Example Part # SIS-1-200-240**

= Source Isolation Switch, Single Phase, 200A, 240V

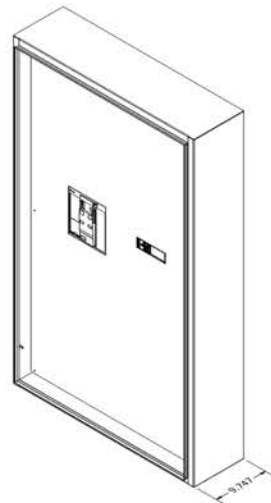
## DIMENSIONS (FRONT VIEW)

(SHOWN WITHOUT DOOR)

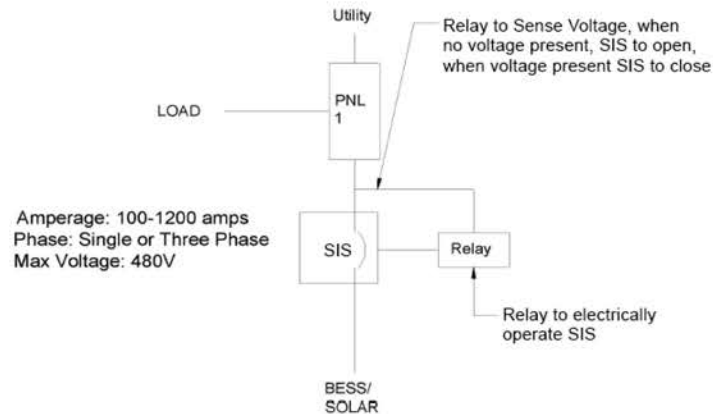


## DIMENSIONS (SIDE VIEW)

(SHOWN WITHOUT DOOR)



## SYSTEM DIAGRAM



## TAP BOX MODEL OVERVIEW

### The Contractor Series:

The Contractor Series Tap Box is the most basic and commonly used tap box design. It is readily available in standard configurations and engineered to meet a wide range of everyday applications. Available in various voltage and amperage configurations, these units provide the flexibility and reliability needed for a broad range of temporary and backup power requirements.

### The Standard Series:

The Standard Series Tap Box offers the flexibility to meet a wide range of project requirements. Built with a durable metallic enclosure, available in mild steel or stainless steel, each unit includes male or female camlock receptacles. As the most commonly used and fundamental tap box design, it is ideal for temporary power applications or for load banking a permanent generator. The Powertron Standard Series Tap Box is often paired with breaker panels, transfer switches, and switchgear, providing a dependable connection point for temporary or backup power solutions.

### The Breaker Series:

The Breaker Series Tap Box combines the features of a Standard Series Tap Box with the added protection of an integrated circuit breaker. This design is ideal for applications where a breaker or switching device is not directly connected downstream. Facilities such as hospitals, data centers, and large water or wastewater treatment plants often choose this series for its enhanced redundancy and improved safety. By incorporating a breaker within the tap box, this system provides a safer and more efficient process during both operation and maintenance.

### The MTS Series:

The MTS Series Tap Box combines the functionality of a Standard Series Tap Box with an integrated manual transfer switch. This design eliminates the need for a separate double-throw transfer switch and a secondary tap box mounted alongside it, combining two products into one to save time, space, and installation costs. Built with a durable metallic enclosure (available in mild steel or stainless steel) for NEMA 3R applications, the unit includes either male or female camlock receptacles. The MTS Series Tap Box is commonly used for temporary power connections or for load banking a permanent generator, providing a streamlined and reliable power transfer solution. In addition, the MTS Series design helps facilitate compliance with NEC 700.3(F), which requires provisions for temporary source connection during maintenance or service of emergency systems, enhancing both safety and code compliance.

### The ATS Series:

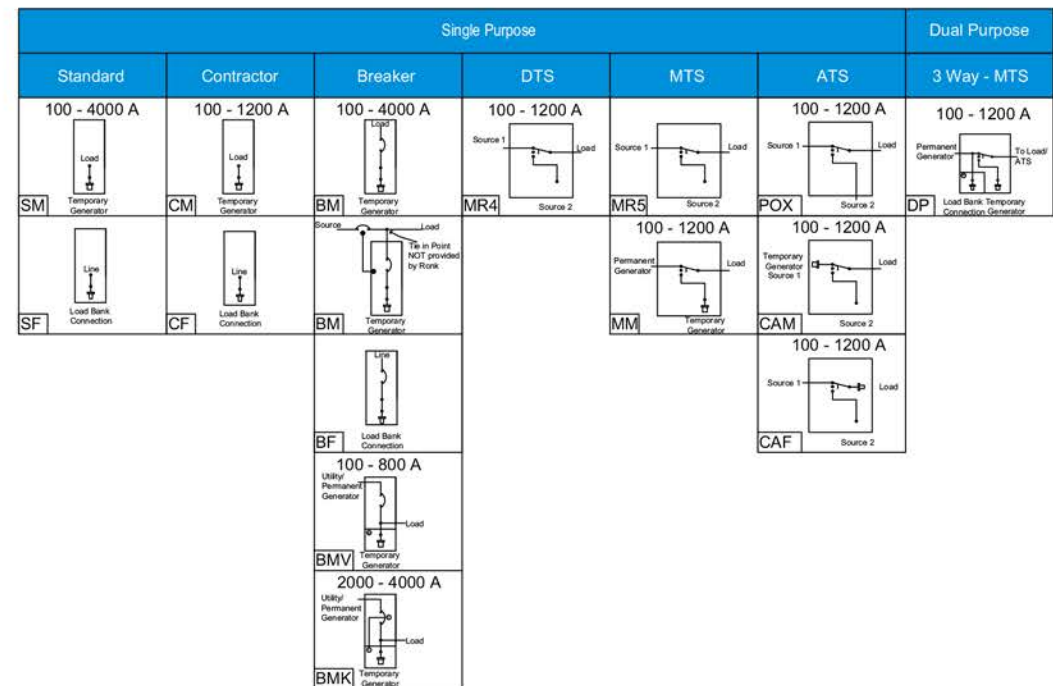
The ATS Series Tap Box combines the functionality of a Standard Series Tap Box with an integrated automatic transfer switch. This design eliminates the need for a separate automatic transfer switch and an additional tap box mounted alongside it, combining two products into one to save time, space, and installation costs. Built with a durable metallic enclosure (available in mild steel or stainless

steel) for NEMA 3R applications, the unit includes either male or female camlock receptacles. The ATS Series Tap Box is commonly used for temporary power connections, providing a streamlined, automated, and reliable power transfer solution.

### The Dual-Purpose MTS Series:

The Powertron Dual-Purpose MTS Series Tap Boxes are engineered to deliver seamless power switching and load bank testing in a single, efficient solution. Designed to meet NEC 700.3(F) compliance requirements, these Manual Transfer Switch (MTS) tap boxes enable facilities to quickly and safely switch between utility power and backup generators, while also supporting load bank testing without service interruption. Purpose built for commercial, industrial, and municipal applications, the Dual-Purpose MTS Series provides a cost effective, space saving alternative to traditional systems that require separate transfer switches and tap boxes. Each unit features integrated camlock connections, ensuring a secure, efficient interface for both temporary generators and load banks during routine maintenance and testing.

## 1-LINE DRAWINGS



## TAP BOX LINEUP

### CONTRACTOR SERIES



**Features:**

- Male or female series 16 camlocks.
- UL listed NEMA 3R enclosure.
- Wall mounted.
- Tin plated copper bus bar for incoming utility power connection.
- Completed assembly safety agency approved.
- cULus listed 1008 / Control #47HY / Product ID: Enclosed Power Inlet.
- cULus listed 1773 / Control #XCKT / Product ID: Enclosed Power Outlet.

**Available Configurations:**

100A, 200A, 400A, 600A, 800A, 1200A, 1600A

**CONTRACTOR SINGLE PHASE SERIES  
AVAILABLE IN 100-800A**

### STANDARD SERIES



**Features:**

- Male or female series 16 camlocks.
- UL listed NEMA 3R enclosure.
- 100-800A wall mounted, 1200-4000A pad mounted.
- Trapped cable door prevents cable disconnection by unauthorized personnel.
- Tin plated copper bus bar for incoming utility power connection.
- Completed assembly safety agency approved.
- cULus listed 1008 / Control # 47HY / Product ID: Enclosed Power Inlet.
- cULus listed 1773 / Control #XCKT / Product ID: Enclosed Power Outlet.

**Available Configurations:**

100A, 200A, 400A, 600A, 800A, 1200A, 1600A, 2000A, 2400A, 2800A, 3200A, 3600A, 4000A

### BREAKER SERIES



**Features:**

- Thermal magnetic breaker standard (electronic available).
- Male or female series 16 camlocks.
- UL listed NEMA 3R enclosure.
- 100-800A wall mounted, 1200-4000A pad mounted.
- Trapped cable door prevents cable disconnection by unauthorized personnel.
- Completed assembly safety agency approved.
- cULus listed 1008 / Control # 47HY / Product ID: Enclosed Power Inlet.
- cULus listed 891 / Control #WEVZ / Product ID: Enclosed Power Outlet.

**Available Configurations:**

100A, 200A, 400A, 600A, 800A, 1200A, 1600A, 2000A, 2400A, 2800A, 3000A, 3200A, 3600A, 4000A

### INTERLOCKED BREAKER SERIES



**Features:**

- Electronic Trip Circuit Breaker (LSI, LSIG, LSIA).
- Energy Reduction Management System (ERMS) - NEC Section 240.87.
- Service Entrance Models Available.
- Factory Installed Kirk Key Interlock: Main Breaker to Temporary Generator Connections.
- NEMA 3R Enclosure.
- Extra Depth Pad Mount Extension for Additional Conduit Access.
- Interlocked Trapped cable door prevents cable disconnection by unauthorized personnel.

**Available Configurations:**

1200A, 1600A, 2000A, 2400A, 2800A, 3000A, 3200A, 3600A, 4000A

### MTS SERIES



**Features:**

- Male or female series 16 camlocks.
- UL listed NEMA 3R enclosure.
- 100-400A wall mounted, 600-1200A pad mounted.
- Trapped cable door prevents cable disconnection by unauthorized personnel.
- Completed assembly safety agency approved.
- cULus listed 1008 / Control # 47HY / Product ID: Enclosed Power Inlet.
- NEC 700.3(f) compliant.

**Available Configurations:**

100A, 200A, 400A, 600A, 800A, 1200A

**MTS SINGLE PHASE SERIES  
AVAILABLE IN 100-800A**

### ATS SERIES - GENERATOR TAP BOX ATS



**Features:**

- Male or female series 16 camlocks.
- UL listed NEMA 3R enclosure.
- 60-400A wall mounted, 600-1200A pad mounted.
- Trapped cable door prevents cable disconnection by unauthorized personnel.
- cULus listed 1008 transfer switch.

**Available Configurations:**

60A, 100A, 200A, 260A, 400A, 600A, 800A, 1000A, 1200A

### DUAL-PURPOSE MTS SERIES



**Features:**

- UL listed NEMA 3R enclosure.
- 100-400A wall mounted, 600-1200A pad mounted.
- Trapped cable door prevents cable disconnection by unauthorized personnel.
- Male series 16 camlocks for ease of temporary generator hook up.
- Female series 16 camlocks Interlocked with a Panduit Absence of Voltage detector.
- Standard load dump receptacle (NEMA L1-R15).
- Auto start terminals with auto start destination switch.
- Completed assembly safety agency approved.
- cULus listed 1008 / Control # WPVQ / Product ID: Enclosed Power Inlet.
- NEC 700.3(f) compliant.

**Available Configurations:**

100A, 200A, 400A, 600A, 800A, 1200A

TAP BOX ENCLOSURES



SMALL WALL

Dimensions:  
Height: 27.5"  
Width: 24"  
Depth: 19"



LARGE WALL

Dimensions:  
Height: 42"  
Width: 32"  
Depth: 20"



SMALL PAD

Dimensions:  
Height: 63.5"  
Width: 35"  
Depth: 35"

MEDIUM PAD

Dimensions:  
Height: 76"  
Width: 37"  
Depth: 35"



LARGE PAD

Dimensions:  
Height: 74"  
Width: 48"  
Depth: 48"



CONTRACTOR WALL  
100-800A

Dimensions:  
Height: 30"  
Width: 24"  
Depth: 12"



CONTRACTOR WALL  
1200A

Dimensions:  
Height: 48"  
Width: 36"  
Depth: 16"



~All Enclosures available in mild steel or stainless steel.

**TAP BOX ACCESSORIES**



**PHASE ROTATION MONITOR KIT**

SENS19020

The Phase Rotation monitor actively tracks power status, identifying availability, interruptions, incorrect phase sequencing, and phase failures. It communicates these conditions to users through LED indicators, ensuring real-time awareness for swift responses to any situation.



**VERISAFE™ ABSENCE OF VOLTAGE TESTER**

TBQCVSASM

Absence of Voltage Tester reduces risk by confirming the absence of voltage prior to equipment access. This streamlines the process for workers to ensure an electrically safe work environment is established in significantly less time compared to using handheld portable test instruments.



**PILOT LIGHT INDICATION FOR SOURCE AVAILABILITY - MTS ONLY**

TBQCMILASM

Easily confirm your power source availability directly at the tap box with visual cues. Decide on your power source effortlessly at the switch, aided by the Source indicating light specifically designed for your MTS series tap box.



**PILOT LIGHT INDICATION FOR VOLTAGE PRESENT**

TBQCSILASM

Ensure voltage is present with a straight forward Pilot Light indicator panel designed for your Breaker series, Standard series, and MTS series tap box.



**STOP/START W/GFCI STOP/START ONLY**

TBQC20035

TBQC20083

In adverse weather or during load bank testing, the Start/Stop terminals empower your mobile generator to stand by, ready to automatically restore power to your facility when paired with an Automation Transfer Switch. The GFCI receptacle ensures safe power delivery to a generator block heater and battery charger, facilitating smooth operation in cold weather conditions.



**TWIST LOCK RECEPTACLES**

30 AMP - TBQC20081

50 AMP - TBQC20082

Inside the enclosure, a 30 or 50 amp twist receptacle is wired to terminal block, securely mounted on the accessory panel for convenient connection.

- 30 Amp 3P-4W 250 V
- 50 Amp 2P-3W 250 V



**DIRIS A-20 FOR POWER QUALITY, MONITORING AND METERING**

SENS19023

Performance metering

- Factory integrated into our standard products, tailored to your project needs
- Customizable user with all of the measurements needed to complete energy efficient projects successfully and to provide assured monitoring of electrical Compliance with standards distribution.
- All of this information can be used and analyzed remotely with the help of energy efficiency software programs.
- User-friendly operation
- Large backlit multiple-display screen with 4 hot keys, the DIRIS A-20 is easy to use.
- Compliant with IEC 61557-12

Contact RONK ELECTRICAL sales team with your project specifications



**FACTORY-INSTALLED AUXILIARY CONTACTS FOR REMOTE ON/OFF SIGNALING AND ELECTRICAL INTERLOCKING - MTS ONLY**

100-400 AMP - TBQC20084

600-1200 AMP - TBQC20085

This system includes factory-installed auxiliary contacts configured for remote ON/OFF signaling and electrical interlocking. The contacts are set up as normally open (NO) and normally closed (NC) in positions 1 and 2, rated for 1A 125VAC. They are pre-wired to a terminal block for easy compliance with section 700.3(f).



**POWERTRON TAP BOXES MECHANICAL LUG KIT**

TBQC20019

Wire Range: 250 MCM - #6 AWG  
Lugs per Kit: 5  
Mounting Hardware: Included

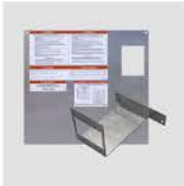
**TAP BOX ACCESSORIES**



**L-SHAPED SOLDERLESS CONNECTORS**

TBQC20012

Wire Range:  
 • 500 AWG - 4 AWG  
 • (2) 250 - 1/0 AWG Copper  
 Lugs per Kit: 5  
 Mounting Hardware: Included



**ACCESSORY PLATE MOUNTING KIT  
 – CONTRACTOR SERIES ONLY**

100-800A - TBQC20086  
 1200A - TBQC20086

Mounting Kit to allow for one accessory plate (Sold Separately) to be installed in each Contractor Series

**BLANK ACCESSORY PLATES**

TBQP5X4BLNKG

If you would like to mount your own accessories, blank mounting plates are available.

**Additional Accessories may be available based upon customer requirements.  
 Please contact us with special requests.**

**ENCLOSURE SAFETY AND ACCESS CONTROL OPTIONS**



**KIRK® KEY MOUNTING KIT**

TBQC20043

Powertron KIRK® Key Interlocking Door Kit enables seamless interlocking of the tap box with the building's electrical system. This interlocking feature ensures enhanced safety protocols during the operation and maintenance of the building's electrical system and portable generator (KIRK Key Sold Separately).



**PAD LOCKABLE**

For main or trap door access

ENCL7013



**KEY LOCKABLE HANDLE**

For main or trap door access

ENCL7017



**CAMLOCK SNAP COVER**

Camlock Snap Covers offer extra safeguarding for camlock receptacles (Factory Mounted)

ELCO5137WS



**WALL MOUNT ENCLOSURE KEY**

Used on Wall Mount Enclosures

TBQC20088



**PAD MOUNT ENCLOSURE KEY**

Hexagon female SW 8 with Center Pin Enclosure Key

TBQC20089



**CONTRACTOR SERIES**

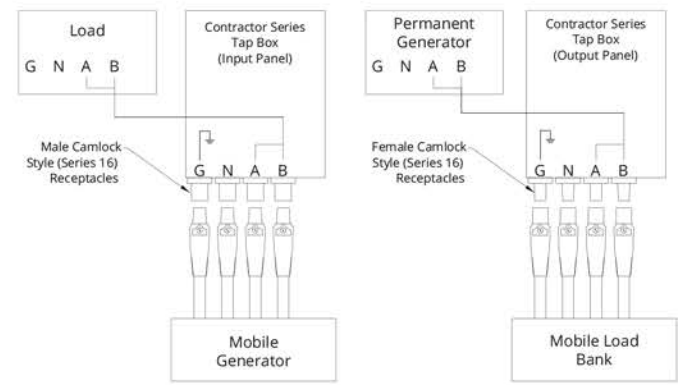
**CONTRACTOR SINGLE PHASE SERIES, DOCKING STATION BOX 100 – 800 AMP**

Part Number	Rating	SCCR Rating	Technical Data	Enclosure Option	Dimensions
TBQCC(X)01-AWMS240-1	100	35 kA RMS 600 VAC Max	1 Phase, 240/120 VAC	Wall mount, mild steel or stainless steel	30"H x 24"W x 12"D
TBQCC(X)01-AWSS240-1					
TBQCC(X)02-AWMS240-1	200				
TBQCC(X)02-AWSS240-1					
TBQCC(X)04-AWMS240-1	400				
TBQCC(X)04-AWSS240-1					
TBQCC(X)06-AWMS240-1	600				
TBQCC(X)06-AWSS240-1					
TBQCC(X)08-AWMS240-1	800				
TBQCC(X)08-AWSS240-1					

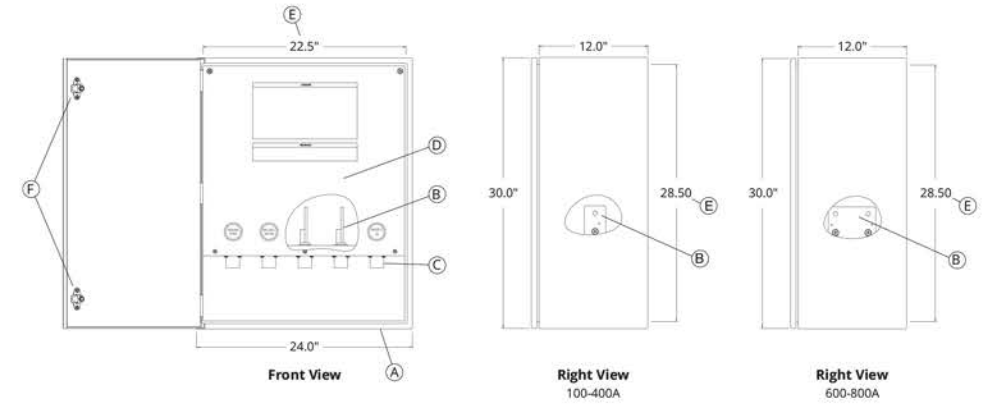
(X) = male (M) or female (F) camlocks; ex : TBQCCM01

- NEMA 3R Enclosure
- Tin plated copper bus bar for incoming utility power connection

**TYPICAL ONE LINE DIAGRAM**  
(INPUT & OUTPUT PANELS)



**DIMENSIONS OF CONTRACTOR SINGLE PHASE SERIES 100 – 800 AMP**



**ENCLOSURE SPECIFICATIONS**

Type	Height	Width	Depth	Material	Color/Finish
NEMA 3R	30"	24"	12"	Mild Steel	ANSI 61 Gray
				Stainless Steel	Clear Brushed Finish

Standard Components	
A	No Door; Access To Internal Unit Through Bottom Of Enclosure
B	(5X) Copper Bus Bar, Tin Plated Mounting Holes 0.50" Dia.
C	Series 16, 400 Amp, 600 VAC, Single Pole Camlock Receptacle
D	Removable Panel Cover
E	Mounting Hole Pattern – (4X) 0.50" dia. (22.5" x 28.5")
F	Quarter Turn Twist Lock Handle (Non-Locking)

**ORDERING INFORMATION**

Series	Camlock Type	Amperage	Enclosure Option	Voltage
TBQCC	Contractor	M Male	AWMS Wall Mount Mild Steel	240-1 240/120V
		F Female	AWSS Wall Mount Stainless Steel	
	01	100A		
	02	200A		
	04	400A		
	06	600A		
	08	800A		

**Accessory Note**  
The contractor series can have up to (1) panel mount accessory and the accessory must also include the additional panel mounting bracket.

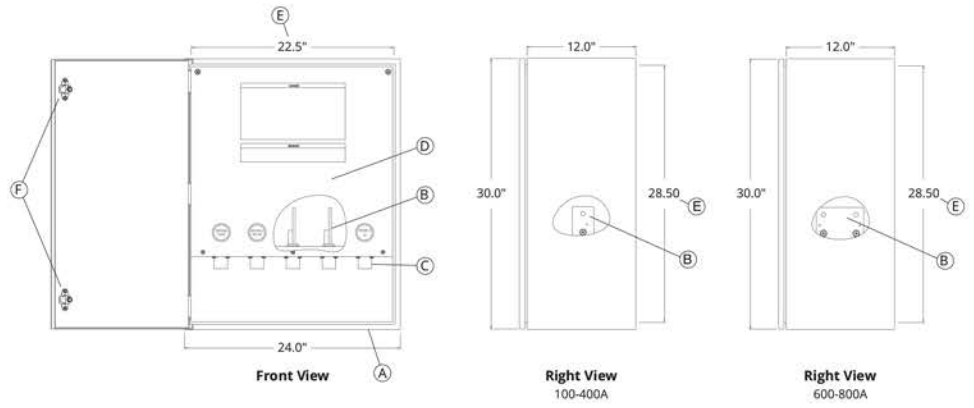
Voltage	Ground	Neutral	L1	L2	# of Rows (100-400A)	# of Rows (600-800A)
240/120					x1	x2

**CONTRACTOR SERIES**

**DIMENSIONS OF CONTRACTOR SERIES 100 – 800 AMP**

**UL LISTED, DOCKING STATION 100 – 800 AMP TECHNICAL SPECIFICATIONS**

Part Number	Rating	SCCR Rating	Technical Data	Enclosure Option	Dimensions
TBQCC(X)01-AWMS(XXX)	100	35 kA RMS 600 VAC Max	3 Phase, 5 Wire, 208Y/120 VAC, 240/120 VAC, 480Y/277 VAC, or 600/347 VAC	Wall mount, mild steel or stainless steel	30"H x 24"W x 12"D
TBQCC(X)01-AWSS(XXX)					
TBQCC(X)02-AWMS(XXX)	200				
TBQCC(X)02-AWSS(XXX)					
TBQCC(X)04-AWMS(XXX)	400				
TBQCC(X)04-AWSS(XXX)					
TBQCC(X)06-AWMS(XXX)	600				
TBQCC(X)06-AWSS(XXX)					
TBQCC(X)08-AWMS(XXX)	800				
TBQCC(X)08-AWSS(XXX)					



**ENCLOSURE SPECIFICATIONS**

Type	Height	Width	Depth	Material	Color/Finish
NEMA 3R	30"	24"	12"	Mild Steel	ANSI 61 Gray
				Stainless Steel	Clear Brushed Finish

Standard Components	
A	No Door; Access To Internal Unit Through Bottom Of Enclosure
B	(5X) Copper Bus Bar, Tin Plated Mounting Holes 0.50" Dia.
C	Series 16, 400 Amp, 600 VAC, Single Pole Camlock Receptacle
D	Removable Panel Cover
E	Mounting Hole Pattern – (4X) 0.50" dia. (22.5" x 28.5")
F	Quarter Turn Twist Lock Handle (Non-Locking)

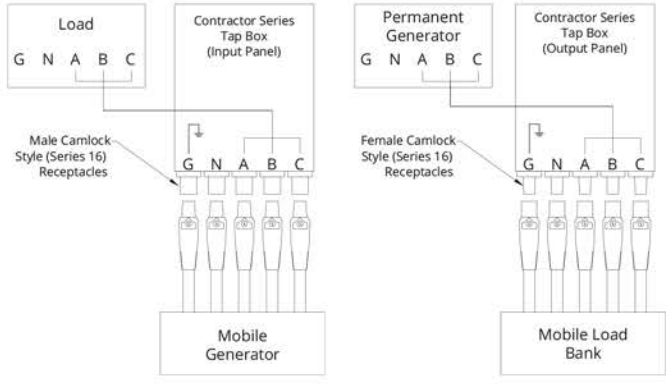
**ORDERING INFORMATION**

Series	Camlock Type	Amperage		Enclosure Option		Voltage	
		M	F	AWMS	AWSS	208	240
TBQCC	Contractor	M	Male	01	100A	208	208Y/120V
		F	Female	02	200A	240	240/120V
			04	400A	480	480Y/277V	
			06	600A	600	600Y/347V	
			08	800A			

(X) = male (M) or female (F) camlocks; ex : TBQCCM01  
(XXX) = voltage being used; ex: AWMS480

- UL Listed NEMA 3R Enclosure
- Tin plated copper bus bar for incoming utility power connection
- Completed assembly safety agency approved
  - cULus Listed 1008  
Control # 47HY  
Product ID: Enclosed Power Inlet
  - cULus Listed 1773  
Control #XCKT  
Product ID: Enclosed Power Outlet

**TYPICAL ONE LINE DIAGRAM (INPUT & OUTPUT PANELS)**



Voltage	Ground	Neutral	L1	L2	L3	# of Rows (100-400A)	# of Rows (600-800A)
208Y/120	GRN	WHT	BLK	RED	BLU	x1	x2
240/120	GRN	WHT	BLK	RED	BLU	x1	x2
480Y/277	GRN	WHT	BRN	ORG	VEL	x1	x2
600/347	GRN	WHT	BLK	RED	BLU	x1	x2

**CONTRACTOR SERIES**

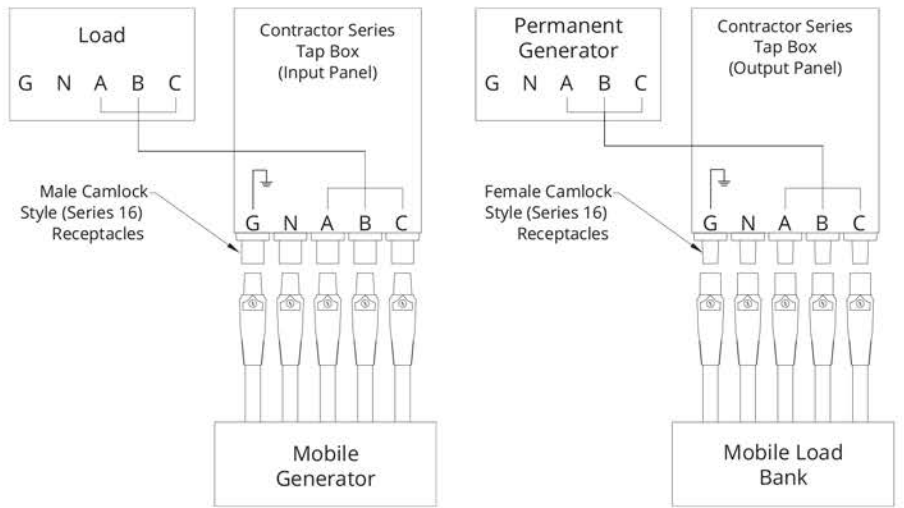
**UL LISTED, DOCKING STATION 1200 AMP**

Part Number	Rating	SCCR Rating	Technical Data	Enclosure Option	Dimensions
TBQCC(X)12-BWMS(XXX)	1200	35 kA RMS 600 VAC Max	3 Phase, 5 Wire, 208Y/120 VAC, 240/120 VAC, 480Y/277 VAC, or 600/347 VAC	Wall mount, mild steel or stainless steel	48"H x 36"W x 16"D
TBQCC(X)12-BWSS(XXX)					

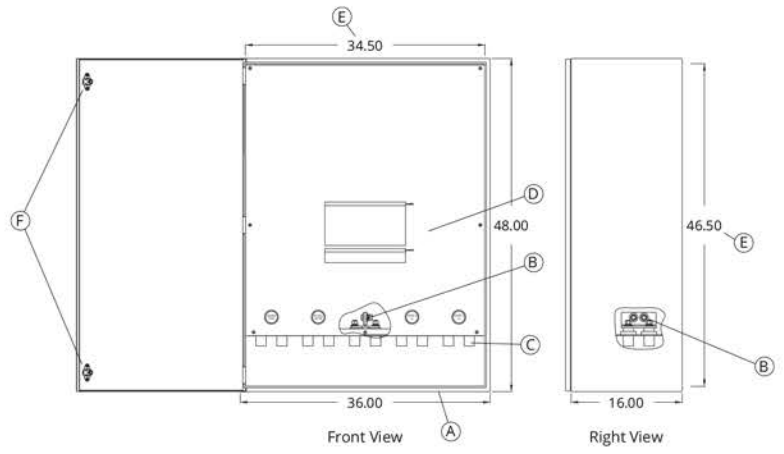
(X) = male (M) or female (F) camlocks; ex: TBQCCM12  
(XXX) = voltage being used; ex: BWMS480

- UL Listed NEMA 3R Enclosure
- Tin plated copper bus bar for incoming utility power connection
- Completed assembly safety agency approved
  - cULus Listed 1008 / Control # 47HY / Product ID: Enclosed Power Inlet
  - cULus Listed 1773 / Control #XCKT / Product ID: Enclosed Power Outlet

**TYPICAL ONE LINE DIAGRAM (INPUT & OUTPUT PANELS)**



**DIMENSIONS OF CONTRACTOR SERIES 1200 AMP**



**ENCLOSURE SPECIFICATIONS**

Type	Height	Width	Depth	Material	Color/Finish
NEMA 3R	48"	36"	16"	Mild Steel	ANSI 61 Gray
				Stainless Steel	Clear Brushed Finish

Standard Components	
A	No Door; Access To Internal Unit Through Bottom Of Enclosure
B	(5X) Copper Bus Bar, Tin Plated Mounting Holes 0.50" Dia.
C	Series 16, 400 Amp, 600 VAC, Single Pole Camlock Receptacle
D	Removable Panel Cover
E	Mounting Hole Pattern – (4X) 0.50" dia. (34.5" x 46.5")
F	Quarter Turn Twist Lock Handle (Non-Locking)

**ORDERING INFORMATION**

Series	Camlock Type	Amperage	Enclosure Option	Voltage
TBQCC Contractor	M Male	12 1200A	BWMS Wall Mount Mild Steel	208 208Y/120V
	F Female		BWSS Wall Mount Stainless Steel	240 240/120V
				480 480Y/277V
				600 600Y/347V

Voltage	Ground	Neutral	L1	L2	L3	# of Rows
208Y/120	GRN	WHT	BLK	RED	BLU	x3
240/120	GRN	WHT	BLK	RED	BLU	x3
480Y/277	GRN	WHT	BRN	ORG	YEL	x3
600/347	GRN	WHT	BLK	RED	BLU	x3

# CONTRACTOR SERIES

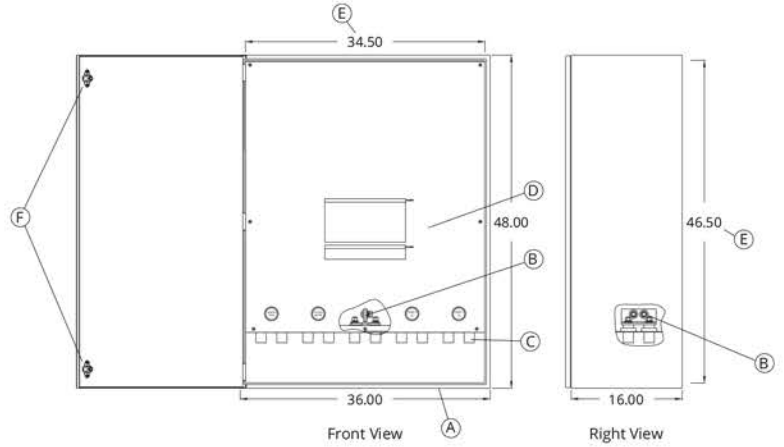
## DIMENSIONS OF CONTRACTOR SERIES 1600 AMP

### CONTRACTOR SERIES, DOCKING STATION 1600 AMP

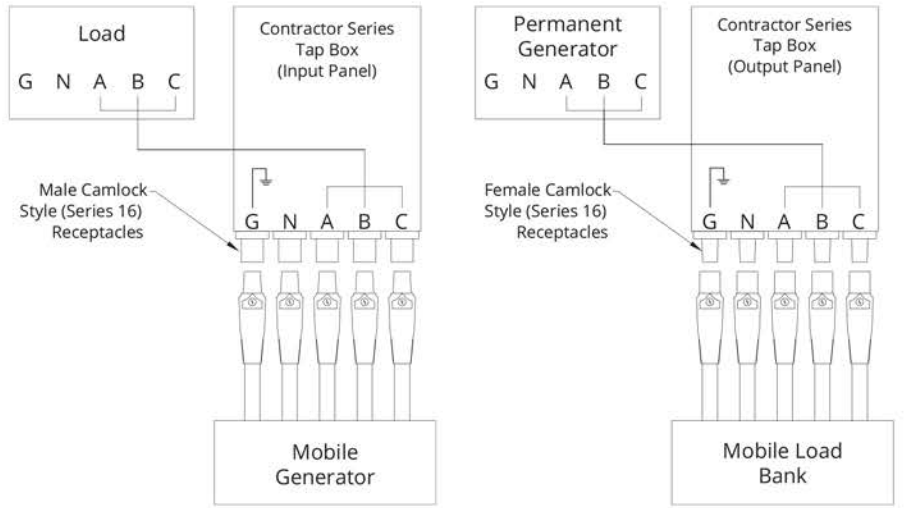
Part Number	Rating	SCCR Rating	Technical Data	Enclosure Option	Dimensions
TBQCC(X)16-BWMS(XXX)	1600	35 kA RMS 600 VAC Max	3 Phase, 5 Wire, 208Y/120 VAC, 240/120 VAC, 480Y/277 VAC, or 600/347 VAC	Wall mount, mild steel or stainless steel	48"H x 36"W x 16"D
TBQCC(X)16-BWSS(XXX)					

(X) = male (M) or female (F) camlocks; ex: TBQCCM16  
 (XXX) = voltage being used; ex: BWMS480

- UL Listed NEMA 3R Enclosure
- Tin plated copper bus bar for incoming utility power connection



### TYPICAL ONE LINE DIAGRAM (INPUT & OUTPUT PANELS)



### ENCLOSURE SPECIFICATIONS

Type	Height	Width	Depth	Material	Color/Finish
NEMA 3R	48"	36"	16"	Mild Steel	ANSI 61 Gray
				Stainless Steel	Clear Brushed Finish

Standard Components	
A	No Door; Access To Internal Unit Through Bottom Of Enclosure
B	(5X) Copper Bus Bar, Tin Plated Mounting Holes 0.50" Dia.
C	Series 16, 400 Amp, 600 VAC, Single Pole Camlock Receptacle
D	Removable Panel Cover
E	Mounting Hole Pattern - (4X) 0.50" dia. (34.5" x 46.5")
F	Quarter Turn Twist Lock Handle (Non-Locking)

### ORDERING INFORMATION

Series	Camlock Type	Amperage	Enclosure Option	Voltage
TBQCC Contractor	M Male	16 1600A	BWMS Wall Mount Mild Steel	208 208Y/120V
	F Female		BWSS Wall Mount Stainless Steel	240 240/120V
				480 480Y/277V
				600 600Y/347V

**Accessory Note**  
 The contractor series can have up to (1) panel mount accessory and the accessory must also include the additional panel mounting bracket.

Voltage	Ground	Neutral	L1	L2	L3	# of Rows
208Y/120	GRN	WHT	BLK	RED	BLU	x4
240/120	GRN	WHT	BLK	RED	BLU	x4
480Y/277	GRN	WHT	BRN	ORG	YEL	x4
600/347	GRN	WHT	BLK	RED	BLU	x4

**STANDARD SERIES**

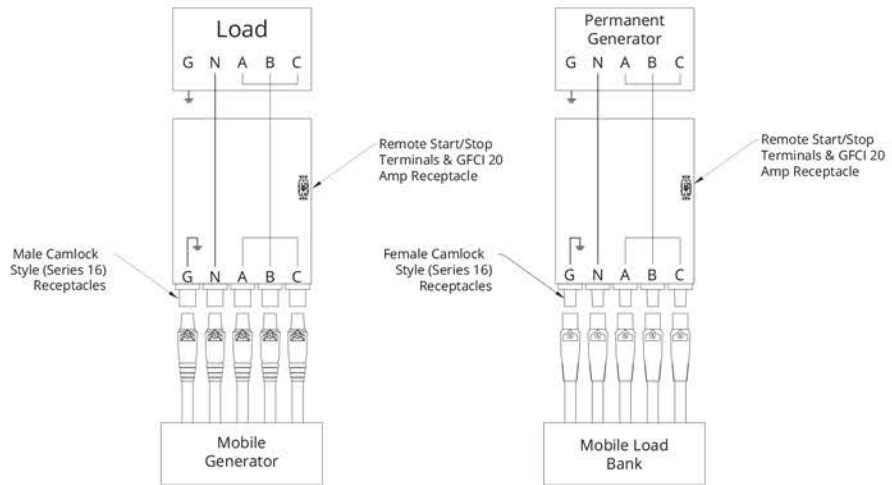
**STANDARD SERIES, UL LISTED, DOCKING STATION 100 – 400 AMP**

Part Number	Rating	SCCR Rating	Technical Data	Enclosure Option	Dimensions
TBQCS(X)01-SWMS(XXX)	100	22 kA RMS 600 VAC Max	3 Phase, 5 Wire, 208Y/120 VAC, 240/120 VAC, 480Y/277 VAC, or 600/347 VAC	Wall mount, mild steel or stainless steel	27.3"H x 24"W x 18.8"D
TBQCS(X)01-SWSS(XXX)					
TBQCS(X)02-SWMS(XXX)	200				
TBQCS(X)02-SWSS(XXX)					
TBQCS(X)04-SWMS(XXX)	400				
TBQCS(X)04-SWSS(XXX)					

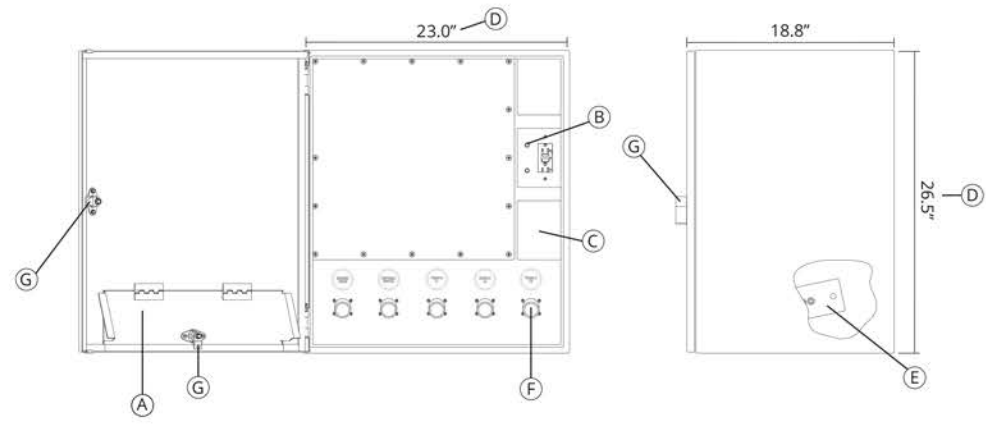
- UL Listed NEMA 3R Enclosure
- Trapped cable door prevents cable disconnection by unauthorized personnel
- Tin plated copper bus bar for incoming utility power connection
- Completed assembly safety agency approved
  - cULus Listed 1008 / Control # 47HY / Product ID: Enclosed Power Inlet
  - cULus Listed 1773 / Control #XCKT / Product ID: Enclosed Power Outlet

(X) = male (M) or female (F) camlocks; ex: TBQCSM01  
(XXX) = voltage being used; ex: SWMS480

**TYPICAL ONE LINE DIAGRAM (INPUT AND OUTPUT PANELS)**



**DIMENSIONS OF STANDARD SERIES 100-400 AMP**



**ENCLOSURE SPECIFICATIONS**

Type	Height	Width	Depth	Material	Color/Finish
NEMA 3R	27.3"	24"	18.8"	Mild Steel	ANSI 61 Gray
				Stainless Steel	Clear Brushed Finish

Standard Components	
A	Trapped Cable Door
B	Remote Start/Stop Terminals & GFCI 20 Amp Receptacle
C	Additional Accessory Mounting
D	Mounting Hole Pattern – (4X) 0.50" dia. (23.0" x 26.5")
E	(5X) Copper Bus Bar, Tin Plated, (1) mounting hole 0.50" dia.
F	Series 16, 400 Amp, 600 VAC, Single Pole Camlock Receptacle
G	Key Lock Handle

**ORDERING INFORMATION**

Series	Camlock Type	Amperage	Enclosure Option	Voltage
TBQCS	Standard	M Male 01	SWMS Small Wall Mount Mild Steel	208 208Y/120V
		F Female 02		240 240/120V
	04	400A	480 480Y/277V	
				600 600Y/347V

Voltage	Ground	Neutral	L1	L2	L3	# of Rows
208Y/120	GRN	WHT	BLK	RED	BLU	x1
240/120	GRN	WHT	BLK	RED	BLU	x1
480Y/277	GRN	WHT	BRN	ORG	YEL	x1
600/347	GRN	WHT	BLK	RED	BLU	x1

STANDARD SERIES

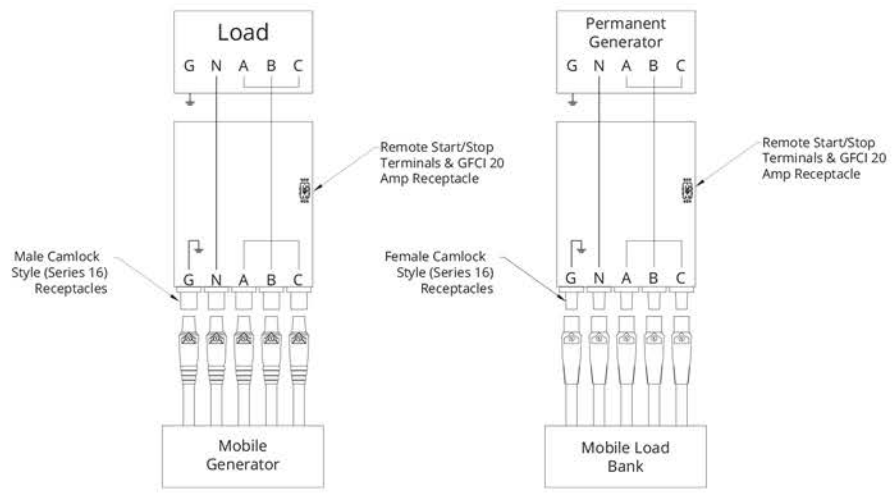
STANDARD SERIES, UL LISTED, DOCKING STATION 600 – 800 AMP

Part Number	Rating	SCCR Rating	Technical Data	Enclosure Option	Dimensions
TBQCS(X)06-LWMS(XXX)	600	22 kA RMS 600 VAC Max	3 Phase, 5 Wire, 208Y/120 VAC, 240/120 VAC, 480Y/277 VAC, or 600/347 VAC	Wall mount, mild steel or stainless steel	41.8"H x 32"W x 19.8"D
TBQCS(X)06-LWSS(XXX)					
TBQCS(X)08-LWMS(XXX)	800				
TBQCS(X)08-LWSS(XXX)					

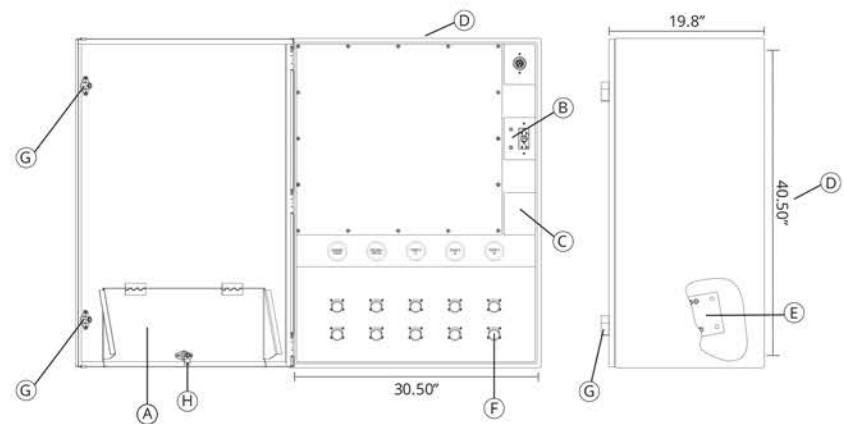
- UL Listed NEMA 3R Enclosure
- Trapped cable door prevents cable disconnection by unauthorized personnel
- Tin plated copper bus bar for incoming utility power connection
- Completed assembly safety agency approved
  - cULus Listed 1008 / Control # 47HY / Product ID: Enclosed Power Inlet
  - cULus Listed 1773 / Control #XCKT / Product ID: Enclosed Power Outlet

(X) = male (M) or female (F) camlocks; ex: TBQCSM06  
 (XXX) = voltage being used; ex: LWMS480

TYPICAL ONE LINE DIAGRAM (INPUT AND OUTPUT PANELS)



DIMENSIONS OF STANDARD SERIES 600-800 AMP



ENCLOSURE SPECIFICATIONS

Type	Height	Width	Depth	Material	Color/Finish
NEMA 3R	41.8"	32"	19.8"	Mild Steel	ANSI 61 Gray
				Stainless Steel	Clear Brushed Finish

Standard Components	
A	Trapped Cable Door
B	Remote Start/Stop Terminals & GFCI 20 Amp Receptacle
C	Additional Accessory Mounting
D	Mounting Hole Pattern – (4X) 0.50" dia. (30.50" x 40.50")
E	(5X) Copper Bus Bar, Tin Plated, (2) mounting hole 0.50" dia.
F	Series 16, 400 Amp, 600 VAC, Single Pole Camlock Receptacle
G	Key Lock Handle (X2)
H	Quarter Turn Twist Lock Handle (Non-Locking)

ORDERING INFORMATION

Series	Camlock Type	Amperage	Enclosure Option	Voltage	
TBQCS	Standard	M Male	06 600A	LWMS Large Wall Mount Mild Steel	208 208Y/120V
					F Female
					480 480Y/277V
					600 600Y/347V

Voltage	Ground	Neutral	L1	L2	L3	# of Rows
208Y/120	GRN	WHT	BLK	RED	BLU	x2
240/120	GRN	WHT	BLK	RED	BLU	x2
480Y/277	GRN	WHT	BRN	ORG	YEL	x2
600/347	GRN	WHT	BLK	RED	BLU	x2

STANDARD SERIES

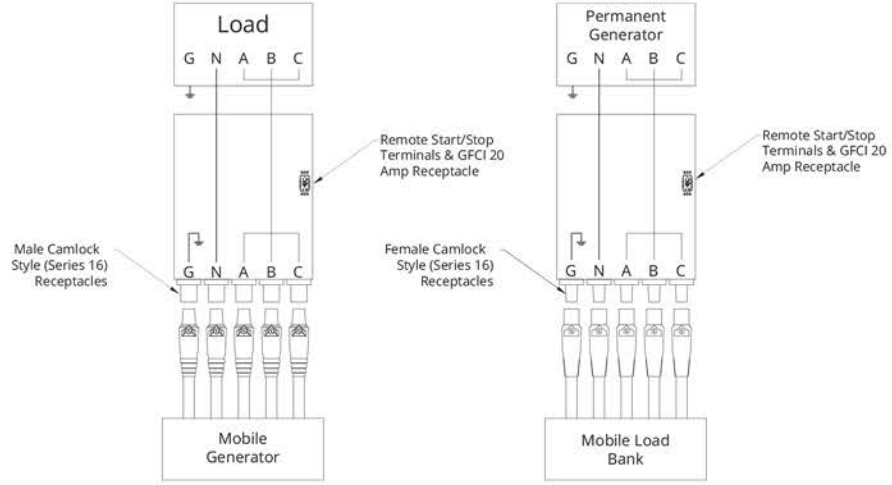
STANDARD SERIES, UL LISTED, DOCKING STATION 1200 – 2000 AMP

Part Number	Rating	SCCR Rating	Technical Data	Enclosure Option	Dimensions
TBQCS(X)12-SPMS(XXX)	1200	50 kA RMS 600 VAC Max	3 Phase, 5 Wire, 208Y/120 VAC, 240/120 VAC, 480Y/277 VAC, or 600/347 VAC	Pad mount, mild steel or stainless steel	60"H x 35"W x 35"D
TBQCS(X)12-SPSS(XXX)					
TBQCS(X)16-SPMS(XXX)	1600				
TBQCS(X)16-SPSS(XXX)					
TBQCS(X)20-SPMS(XXX)	2000				
TBQCS(X)20-SPSS(XXX)					

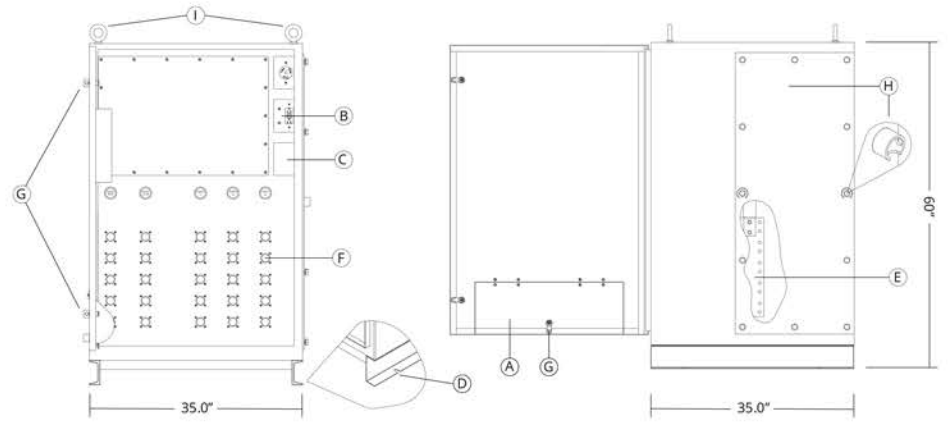
- UL Listed NEMA 3R Enclosure
- Trapped cable door prevents cable disconnection by unauthorized personnel
- Tin plated copper bus bar for incoming utility power connection
- Completed assembly safety agency approved
  - cULus Listed 1008 / Control # 47HY / Product ID: Enclosed Power Inlet
  - cULus Listed 1773 / Control #XCKT / Product ID: Enclosed Power Outlet

(X) = male (M) or female (F) camlocks; ex: TBQCSM12  
 (XXX) = voltage being used; ex: SPMS480

TYPICAL ONE LINE DIAGRAM (INPUT AND OUTPUT PANELS)



DIMENSIONS OF STANDARD SERIES 1200-2000 AMP



ENCLOSURE SPECIFICATIONS

Type	Height	Width	Depth	Material	Color/Finish
NEMA 3R	60"	35"	35"	Mild Steel	ANSI 61 Gray
				Stainless Steel	Clear Brushed Finish

Standard Components	
A	Trapped Cable Door
B	Remote Start/Stop Terminals & GFCI 20 Amp Receptacle
C	Additional Accessory Mounting
D	Pad Mounting Layout Estimated Opening - 0.50" dia. 34.0"W X 23.75"D"
E	(5X) Copper Bus Bar, Tin Plated, (10X) Mounting Holes 0.50" Dia.
F	Series 16, 400 Amp, 600 VAC, Single Pole Camlock Receptacle
G	Pad Lockable Handle (3X) Hexagon SWS with Pin
H	Utility Side Door Secured with Penta Bolts & (2X) Pad Lock Provisions
I	Eye Lifting Hooks

ORDERING INFORMATION

Series	Camlock Type	Amperage	Enclosure Option	Voltage
TBQCS	Standard	M Male	SPMS Small Pad Mount Mild Steel	208 208Y/120V
		F Female	SPSS Small Pad Mount Stainless Steel	240 240/120V
			20 2000A	480 480Y/277V 600 600Y/347V

Voltage	Ground	Neutral	L1	L2	L3	# of Rows (1200A)	# of Rows (1600A)	# of Rows (2000A)
208Y/120	GRN	WHT	BLK	RED	BLU	x3	x4	x5
240/120	GRN	WHT	BLK	RED	BLU	x3	x4	x5
480Y/277	GRN	WHT	BRN	ORG	YEL	x3	x4	x5
600/347	GRN	WHT	BLK	RED	BLU	x3	x4	x5

**STANDARD SERIES**

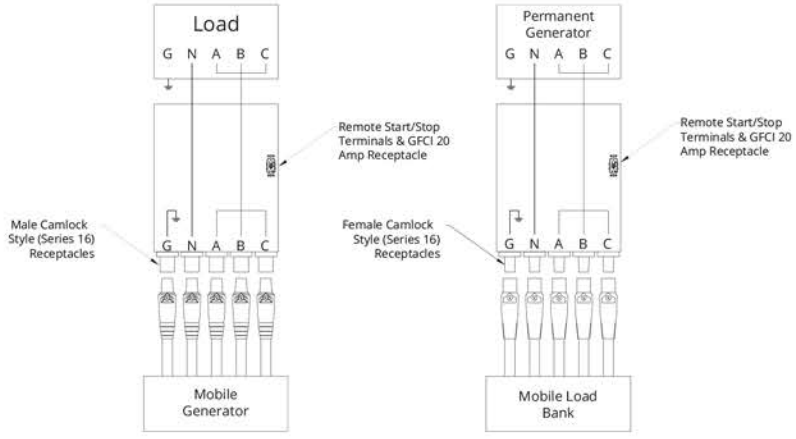
**STANDARD SERIES, UL LISTED, DOCKING STATION 2400 - 4000 AMP**

Part Number	Rating	SCCR Rating	Technical Data	Enclosure Option	Dimensions
TBQCS(X)24-LPMS(XXX)	2400	100 kA RMS 600 VAC Max	3 Phase, 5 Wire, 208Y/120 VAC, 240/120 VAC, 480Y/277 VAC, or 600/347 VAC	Pad mount, mild steel or stainless steel	74"H x 48"W x 48"D
TBQCS(X)24-LPSS(XXX)					
TBQCS(X)28-LPMS(XXX)	2800				
TBQCS(X)28-LPSS(XXX)					
TBQCS(X)32-LPMS(XXX)	3200				
TBQCS(X)32-LPSS(XXX)					
TBQCS(X)36-LPMS(XXX)	3600				
TBQCS(X)36-LPSS(XXX)					
TBQCS(X)40-LPMS(XXX)	4000				
TBQCS(X)40-LPSS(XXX)					

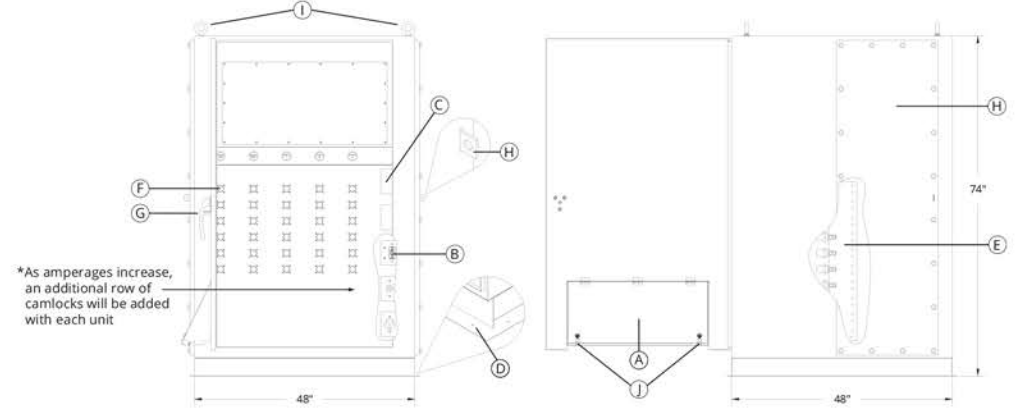
- UL Listed NEMA 3R Enclosure
- Trapped cable door prevents cable disconnection by unauthorized personnel
- Tin plated copper bus bar for incoming utility power connection
- Completed assembly safety agency approved
  - cULus Listed 1008 / Control # 47HY / Product ID: Enclosed Power Inlet
  - cULus Listed 1773 / Control #XCKT / Product ID: Enclosed Power Outlet

(X) = male (M) or female (F) camlocks; ex: TBQCSM24  
 (XXX) = voltage being used; ex: LPMS480

**TYPICAL ONE LINE DIAGRAM (INPUT AND OUTPUT PANELS)**



**DIMENSIONS OF STANDARD SERIES 2400-4000 AMP (IN INCHES)**



**ENCLOSURE SPECIFICATIONS**

Type	Height	Width	Depth	Material	Color/Finish
NEMA 3R	74"	48"	48"	Mild Steel	ANSI 61 Gray
				Stainless Steel	Clear Brushed Finish

Standard Components	
A	Trapped Cable Door
B	Remote Start/Stop Terminals & GFCI 20 Amp Receptacle
C	Additional Accessory Mounting
D	Pad Mount: Approx. Pad Dimensions (50"W x 50"D)
E	(5X) Copper Bus Bar, Tin Plated, Mounting Holes 0.50" Dia.
F	Series 16, 400 Amp, 600 VAC, Single Pole Camlock Receptacle
G	Pad Lock Handle
H	(2X) Utility Side Door Secured with Penta Bolts & (2X) Pad Lock Provisions
I	Eye Lifting Hooks
J	(x2) Hexagon SWS Padlock Handle w/ Pin

**ORDERING INFORMATION**

Series	Camlock Type	Amperage	Enclosure Option	Voltage
TBQCS	Standard	M Male	LPMS Large Pad Mount Mild Steel	24 2400A
				28 2800A
		F Female		32 3200A
				36 3600A
				40 4000A
				LPSS Large Pad Mount Stainless Steel
480 480Y/277V				
600 600Y/347V				

Voltage	Ground	Neutral	L1	L2	L3	# of Rows (2400A)	# of Rows (2800A)	# of Rows (3200A)	# of Rows (3600A)	# of Rows (4000A)
208Y/120	GRN	WHT	BLK	RED	BLU	x6	x7	x8	x9	x10
240/120	GRN	WHT	BLK	RED	BLU	x6	x7	x8	x9	x10
480Y/277	GRN	WHT	BRN	ORG	YEL	x6	x7	x8	x9	x10
600/347	GRN	WHT	BLK	RED	BLU	x6	x7	x8	x9	x10

**BREAKER SERIES**

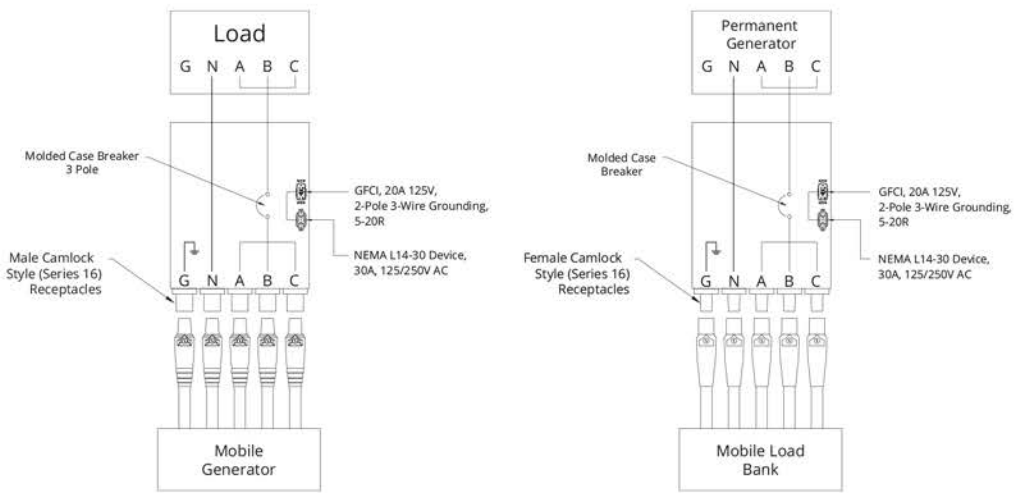
**BREAKER SERIES, UL LISTED, DOCKING STATION 100 – 200 AMP**

Part Number	Rating	SCCR Rating	Technical Data	Enclosure Option	Dimensions
TBQCB(X)01-SWMS(XXX)	100	18 kA RMS 600 VAC Max	3 Phase, 5 Wire, 208Y/120 VAC, 240/120 VAC, 480Y/277 VAC, or 600/347 VAC	Wall mount, mild steel or stainless steel	27.3"H x 24"W x 18.8"D
TBQCB(X)01-SWSS(XXX)					
TBQCB(X)02-SWMS(XXX)	200	18 kA RMS 600 VAC Max	3 Phase, 5 Wire, 208Y/120 VAC, 240/120 VAC, 480Y/277 VAC, or 600/347 VAC	Wall mount, mild steel or stainless steel	27.3"H x 24"W x 18.8"D
TBQCB(X)02-SWSS(XXX)					

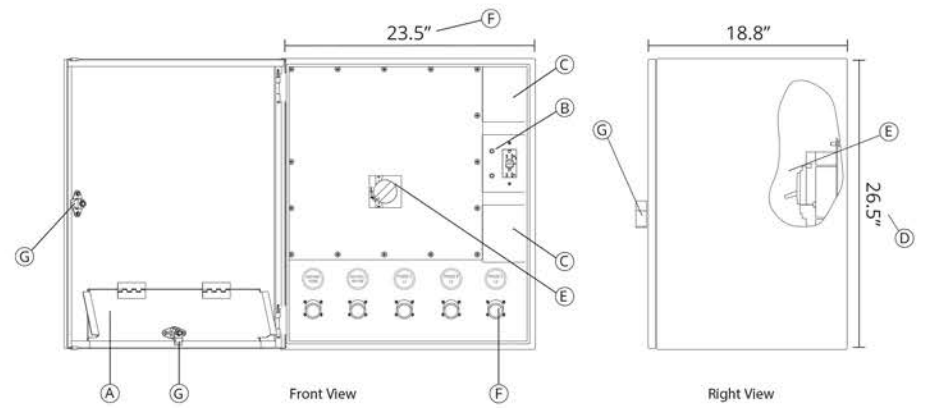
(X) = male (M) or female (F) camlocks; ex : TBQCBM01  
 (XXX) = voltage being used; ex: SWMS480

- Thermal Magnetic Breaker Standard (Electronic Available)
- UL Listed NEMA 3R Enclosure
- Trapped cable door prevents cable disconnection by unauthorized personnel
- Completed assembly safety agency approved
  - cULus Listed 1008 / Control # 47HY / Product ID: Enclosed Power Inlet
  - cULus Listed 891 / Control #WEVZ / Product ID: Enclosed Power Outlet

**TYPICAL ONE LINE DIAGRAM (INPUT AND OUTPUT PANELS)**



**DIMENSIONS OF BREAKER SERIES 100-200 AMP**



**ENCLOSURE SPECIFICATIONS**

Type	Height	Width	Depth	Material	Color/Finish
NEMA 3R	27.3"	24"	18.8"	Mild Steel	ANSI 61 Gray
				Stainless Steel	Clear Brushed Finish

Standard Components	
A	Trapped Cable Door
B	Remote Start/Stop Terminals
C	Additional Accessory Mounting
D	Mounting Hole Pattern – (4X) 0.50" dia. (23.5" x 26.5")
E	Molded Case Breaker
F	Series 16, 400 Amp, 600 VAC, Single Pole Camlock Receptacle
G	Key Lock Handle

**ORDERING INFORMATION**

Series	Camlock Type	Amperage	Enclosure Option	Voltage
TBQCB	M	Male	01 100A	208 208Y/120V
	F	Female	02 200A	240 240/120V
				480 480Y/277V
				600 600Y/347V

Voltage	Ground	Neutral	L1	L2	L3	# of Rows (100A)	# of Rows (200A)
208Y/120	GRN	WHT	BLK	RED	BLU	x1	x1
240/120	GRN	WHT	BLK	RED	BLU	x1	x1
480Y/277	GRN	WHT	BRN	ORG	YEL	x1	x1
600/347	GRN	WHT	BLK	RED	BLU	x1	x1

**BREAKER SERIES**

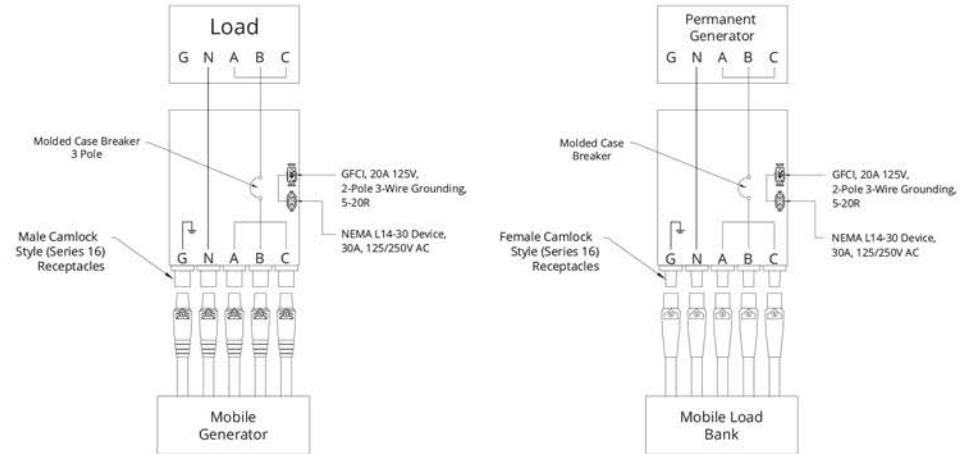
**BREAKER SERIES, UL LISTED, DOCKING STATION 400 – 800 AMP**

Part Number	Rating	SCCR Rating	Technical Data	Enclosure Option	Dimensions
TBQCB(X)04-LWMS(XXX)	400	18 kA RMS 600 VAC Max	3 Phase, 5 Wire, 208Y/120 VAC, 240/120 VAC, 480Y/277 VAC, or 600/347 VAC	Wall mount, mild steel or stainless steel	41.8"H x 32"W x 19.8"D
TBQCB(X)04-LWSS(XXX)					
TBQCB(X)06-LWMS(XXX)	600				
TBQCB(X)06-LWSS(XXX)					
TBQCB(X)08-LWMS(XXX)	800				
TBQCB(X)08-LWSS(XXX)					

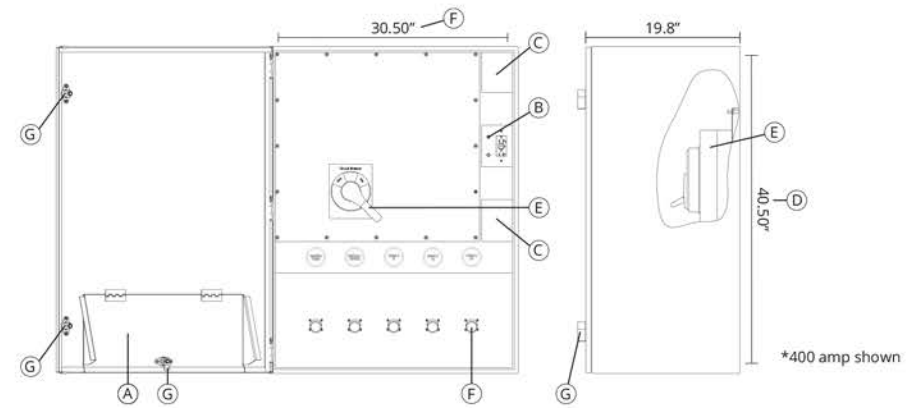
(X) = male (M) or female (F) camlocks; ex : TBQCBM04  
 (XXX) = voltage being used; ex: LWMS480

- Thermal Magnetic Breaker Standard (Electronic Available)
- UL Listed NEMA 3R Enclosure
- Trapped cable door prevents cable disconnection by unauthorized personnel
- Completed assembly safety agency approved
  - cULus Listed 1008 / Control # 47HY / Product ID: Enclosed Power Inlet
  - cULus Listed 891 / Control #WEVZ / Product ID: Enclosed Power Outlet

**TYPICAL ONE LINE DIAGRAM (INPUT AND OUTPUT PANELS)**



**DIMENSIONS OF BREAKER SERIES 400-800 AMP**



**ENCLOSURE SPECIFICATIONS**

Type	Height	Width	Depth	Material	Color/Finish
NEMA 3R	41.8"	32"	19.8"	Mild Steel	ANSI 61 Gray
				Stainless Steel	Clear Brushed Finish

Standard Components	
A	Trapped Cable Door
B	Remote Start/Stop Terminals
C	Additional Accessory Mounting
D	Mounting Hole Pattern – (4X) 0.50" dia. (30.50" x 40.50")
E	Molded Case Breaker
F	Series 16, 400 Amp, 600 VAC, Single Pole Camlock Receptacle
G	Key Lock Handle (x2)

**ORDERING INFORMATION**

Series	Camlock Type	Amperage	Enclosure Option	Voltage
TBQCB	Breaker	M Male 04 400A	LWMS Large Wall Mount Mild Steel	208 208Y/120V
		F Female 06 600A	LWSS Large Wall Mount Stainless Steel	240 240/120V
		08 800A		480 480Y/277V
				600 600Y/347V

Voltage	Ground	Neutral	L1	L2	L3	# of Rows (400A)	# of Rows (600-800A)
208Y/120	GRN	WHT	BLK	RED	BLU	x1	x2
240/120	GRN	WHT	BLK	RED	BLU	x1	x2
480Y/277	GRN	WHT	BRN	ORG	YEL	x1	x2
600/347	GRN	WHT	BLK	RED	BLU	x1	x2

# BREAKER SERIES

## BREAKER SERIES, UL LISTED, DOCKING STATION 1200 - 2000 AMP

Part Number	Rating	SCCR Rating	Technical Data	Enclosure Option	Dimensions
TBQCB(X)12-LPMS(XXX) TBQCB(X)12-LPSS(XXX)**	1200	100 kA RMS 600 VAC Max (See below*)	3 Phase, 5 Wire, 208Y/120 VAC, 240/120 VAC, 480Y/277 VAC, or 600/347 VAC	Pad mount, mild steel or stainless steel	74"H x 48"W x 48"D
TBQCB(X)16-LPMS(XXX) TBQCB(X)16-LPSS(XXX)**	1600				
TBQCB(X)20-LPMS(XXX) TBQCB(X)20-LPSS(XXX)**	2000				

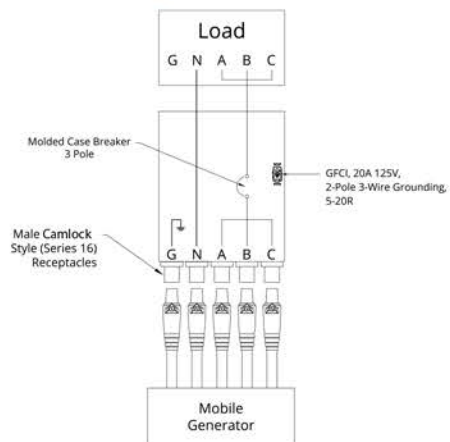
- Electronic Trip Circuit Breaker (LSI, LSIG)
- UL Listed NEMA 3R Enclosure
- Trapped cable door prevents cable disconnection by unauthorized personnel
- Completed assembly safety agency approved
- cULus Listed 1008 / Control # 47HY / Product ID: Enclosed Power Inlet
- cULus Listed 891 / Control #WEVZ / Product ID: Enclosed Power Outlet

(XXX) = voltage being used; ex: LPMS480  
(X) = M or F; ex: Male or Female Camlocks

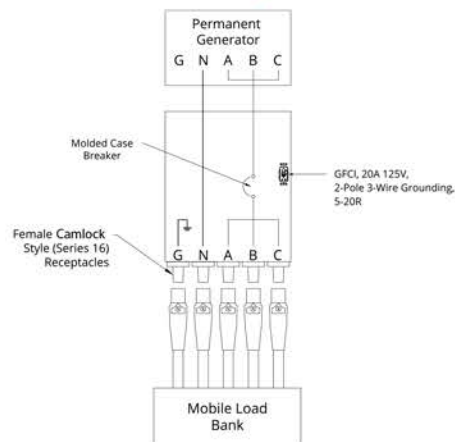
\* SCCR based on circuit breaker AIC, 65 and 100 kA available.  
\*\*LPSS (Stainless Steel) available for ordering as well

## TYPICAL ONE LINE DIAGRAM

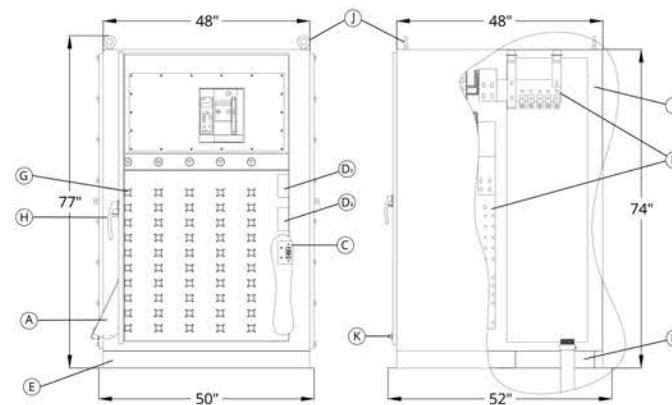
### Male Camlocks - Input



### Female Camlocks - Output



## DIMENSIONS OF BREAKER SERIES 1200 - 2000 AMP



## PART NUMBER BUILDER

Series	Camlock Type	Amperage	Enclosure Option	Voltage
TBQCB	Breaker	M Male	LPMS Large Pad Mount Mild Steel	208 208Y/120V
		F Female		240 240/120V
		20 2000A	LPSS Large Pad Mount Stainless Steel	480 480Y/277V
				600 600Y/347V

Standard Components	
A	Trapped Cable Door
B	Bottom Conduit Access Point with Removable Panel
C	Remote Start/Stop Terminals & GFCI 20 Amp Receptacle
D1	30 Amp Twist Lock
D2	50 Amp Twist Lock
E	Large Pad Mount: Approx. Pad Dimensions (50"W x 52"D)
F	Plated Copper Bus Bar
G	Series 16, 400 Amp, 600 VAC, Single Pole Camlock Receptacle
H	Pad Lockable Handle
I	(2X) Utility Side Door Secured with Penta Bolts & (2X) Pad Lock Provisions
J	Eye Lifting Hooks
K	Pad Lockable Hex SWS w/Pin

## ENCLOSURE SPECIFICATIONS

Type	Height	Width	Depth	Material	Color/Finish
NEMA 3R	74"	48"	48"	Mild Steel	ANSI 61 Gray
				Stainless Steel	Clear Brushed Finish

Voltage	Ground	Neutral	L1	L2	L3	# of Rows Each
208Y/120						x3 (1200A) x4 (1600A) x5 (2000A)
240/120						
480Y/277						
600/347						

## ADDITIONAL ACCESSORIES

RONK offers a wide range of tap box accessories designed for "field assembled" installation. Visit: [www.ronkelectrical.com/products/accessories](http://www.ronkelectrical.com/products/accessories) for more information.

**BREAKER SERIES**

**BREAKER SERIES, UL LISTED, DOCKING STATION 2400 - 4000 AMP**

Part Number	Rating	SCCR Rating	Technical Data	Enclosure Option	Dimensions
TBQCB(X)24-LPMS(XXX)	2400	100 kA RMS 600 VAC Max (See below*)	3 Phase, 5 Wire, 208Y/120 VAC, 240/120 VAC, 480Y/277 VAC, or 600/347 VAC	Pad mount, mild steel or stainless steel	74"H x 48"W x 48"D
TBQCB(X)28-LPMS(XXX)	2800				
TBQCB(X)30-LPMS(XXX)	3000				
TBQCB(X)32-LPMS(XXX)	3200				
TBQCB(X)36-LPMS(XXX)	3600				
TBQCB(X)40-LPMS(XXX)	4000				

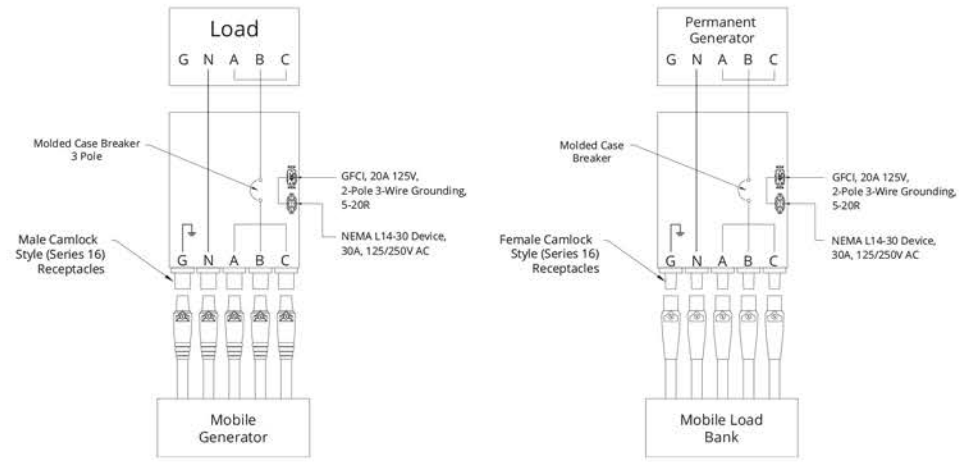
- Electronic Trip Circuit Breaker (LSI, LSIG, LSIA)
- UL Listed NEMA 3R Enclosure
- Trapped cable door prevents cable disconnection by unauthorized personnel
- Completed assembly safety agency approved
  - cULus Listed 1008 / Control # 47HY / Product ID: Enclosed Power Inlet
  - cULus Listed 891 / Control #WEVZ / Product ID: Enclosed Power Outlet

(X) = male (M) or female (F) camlocks; ex: TBQCBM24  
 (XXX) = voltage being used; ex: LPMS480

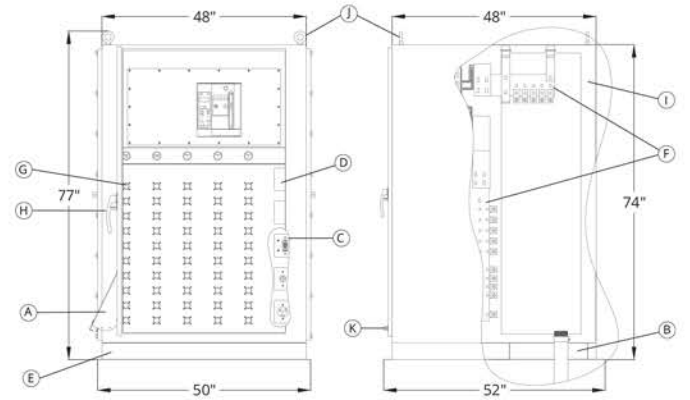
\* SCCR based on circuit breaker AIC, 65 and 100 kA available.

\*\*LPSS available for ordering as well

**TYPICAL ONE LINE DIAGRAM (INPUT AND OUTPUT PANELS)**



**DIMENSIONS OF BREAKER SERIES 2400-4000 AMP**



**ENCLOSURE SPECIFICATIONS**

Type	Height	Width	Depth	Material	Color/Finish
NEMA 3R	74"	48"	48"	Mild Steel	ANSI 61 Gray
				Stainless Steel	Clear Brushed Finish

Standard Components	
A	Trapped Cable Door
B	Bottom Conduit Access Point with Removable Panel
C	Remote Start/Stop Terminals & GFCI 20 Amp Receptacle
D	Cover Plate
E	Stainless Steel Pad Mount: Approx. Pad Dimensions (50"W x 50"D)
F	Plated Copper Bus Bar
G	Series 16, 400 Amp, 600 VAC, Single Pole Camlock Receptacle
H	Pad Lockable Handle
I	(2X) Utility Side Door Secured with Penta Bolts & (2X) Pad Lock Provisions
J	Eye Lifting Hooks
K	Pad Lockable Hex SWS w/Pin

**ORDERING INFORMATION**

Series	Camlock Type	Amperage	Enclosure Option	Voltage
TBQCB	Breaker	M Male	24 2400A	LPMS Large Pad Mount Mild Steel 208 208Y/120V
		F Female	28 2800A	LPSS Large Pad Mount Stainless Steel 240 240/120V
		30 3000A		480 480Y/277V
		32 3200A		600 600Y/347V
		36 3600A		
		40 4000A		

Voltage	Ground	Neutral	L1	L2	L3	# of Rows
208Y/120	GRN	WHT	BLK	RED	BLU	x6 (2400A) x7 (2800A) x8 (3000A)
240/120	GRN	WHT	BLK	RED	BLU	x8 (3000A) x8 (3200A)
480Y/277	GRN	WHT	BRN	ORG	YEL	x9 (3600A)
600/347	GRN	WHT	BLK	RED	BLU	x10 (4000A)

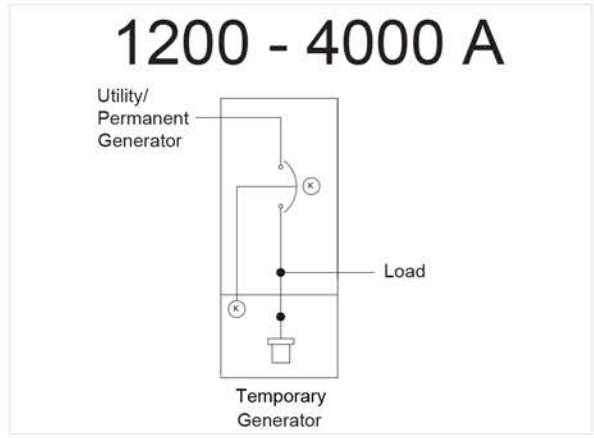
**INTERLOCKED BREAKER SERIES**

**INTERLOCKED BREAKER SERIES, DOCKING STATION 1200 - 4000 AMP**

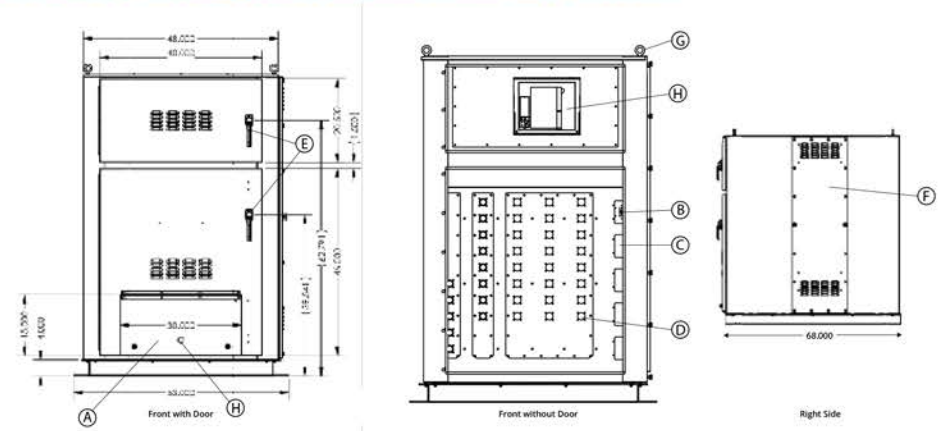
Part Number	Rating	SCCR Rating	Technical Data	Enclosure Option	Dimensions
TBQCIM12-LPDMS(XXX)	1200	100 kA RMS 600 VAC Max (See below*)	3 Phase, 5 Wire, 208Y/120 VAC, 240/120 VAC, 480Y/277 VAC, or 600/347 VAC	Deep Pad mount, mild steel or stainless steel	74"H x 48"W x 68"D
TBQCIM16-LPDMS(XXX)	1600				
TBQCIM20-LPDMS(XXX)	2000				
TBQCIM24-LPDMS(XXX)	2400				
TBQCIM28-LPDMS(XXX)	2800				
TBQCIM30-LPDMS(XXX)	3000				
TBQCIM32-LPDMS(XXX)	3200				
TBQCIM36-LPDMS(XXX)	3600				
TBQCIM40-LPDMS(XXX)	4000				

- Electronic Trip Circuit Breaker (LSI, LSIG, LSIA) (XXX) = voltage being used; ex: LPDMS480
  - Energy Reduction Management System (ERMS) - NEC Section 240.87
  - Service Entrance Models Available
  - Factory Installed Kirk Key Interlock: Main Breaker to Temporary Generator Connections
  - NEMA 3R Enclosure
  - Extra Depth Pad Mount Extension for Additional Conduit Access
  - Interlocked Trapped cable door prevents cable disconnection by unauthorized personnel
- \* SCCR based on circuit breaker AIC, 65 and 100 kA available.  
Note: LPDSS (Stainless Steel) available for ordering as well

**TYPICAL ONE LINE DIAGRAM (INPUT AND OUTPUT PANELS)**



**DIMENSIONS OF INTERLOCKED BREAKER SERIES 1200-4000 AMP**



**ENCLOSURE SPECIFICATIONS**

Type	Height	Width	Depth	Material	Color/Finish
NEMA 3R	74"	48"	68"	Mild Steel	ANSI 61 Gray
				Stainless Steel	Clear Brushed Finish

Standard Components	
A	Trapped Cable Door
B	Remote Start/Stop Terminals & GFCI 20 Amp Receptacle
C	Cover Plate
D	Series 16, 400 Amp, 600 VAC, Single Pole Camlock Receptacle
E	Pad Lockable Handle
F	1 Utility Side Door Secured with Penta Bolts & (2X) Pad Lock Provisions
G	Eye Lifting Hooks
H	(X2) Kirk Key Mounting Brackets
Not Shown In Drawing	
	Bottom Conduit Access Point with Removable Panel
	Plated Copper Bus Bar
	Approx. Pad Dimensions (55"W x 70"D)

**ORDERING INFORMATION**

Series	Camlock Type	Amperage	Enclosure Option	Voltage
TBQCI Interlocked Breaker	M Male	12 1200A	LPDMS Large Pad Deep, Mild Steel	208 208Y/120V
		16 1600A		LPDSS Large Pad Deep, Stainless Steel
		20 2000A	480 480Y/277V	
		24 2400A	600 600Y/347V	
		28 2800A		
		30 3000A		
		32 3200A		
		36 3600A		
		40 4000A		

Voltage	Ground	Neutral	L1	L2	L3	# of Rows
208Y/120	GRN	WHT	BLK	RED	BLU	x3 (1200A) x4 (1600A) x8 (3000A)
240/120	GRN	WHT	BLK	RED	BLU	x8 (3200A)
480Y/277	GRN	WHT	BRN	ORG	YEL	x5 (2000A) x9 (3600A)
600/347	GRN	WHT	BLK	RED	BLU	x6 (2400A) x10 (4000A)

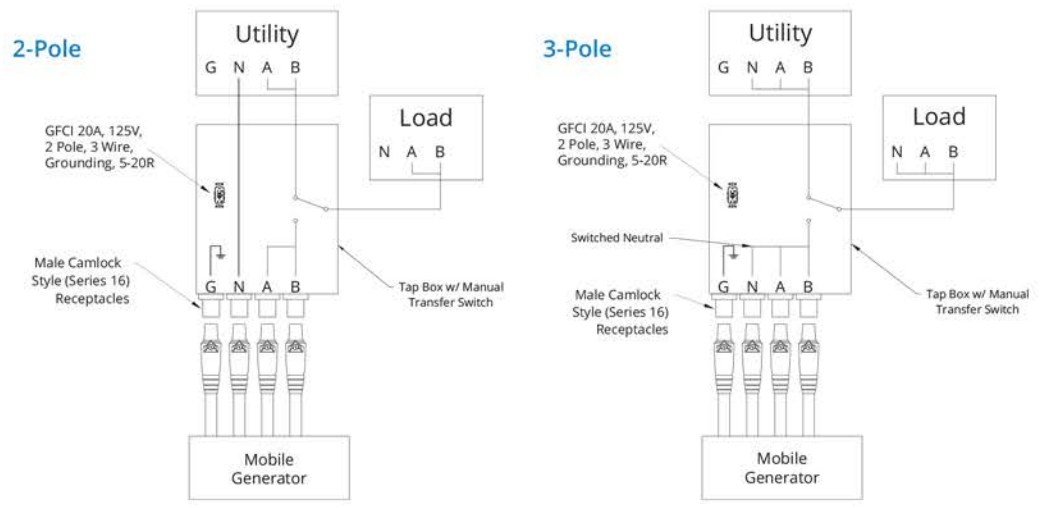
**MTS SERIES**

**INTEGRATED MTS SINGLE PHASE SERIES, DOCKING STATION 100 – 400 AMP**

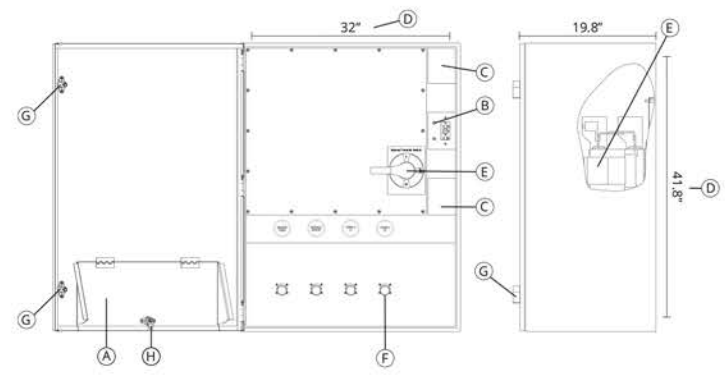
Part Number	Rating	SCCR Rating	Technical Data	Enclosure Option	Dimensions
TBQCMM01-LWMS240-(X)-1	100	22 kA RMS 600 VAC Max	2 Pole or 3 Pole, 120/240 VAC	Wall mount, mild steel or stainless steel	41.8"H x 32"W x 19.8"D
TBQCMM01-LWSS240-(X)-1					
TBQCMM02-LWMS240-(X)-1	200				
TBQCMM02-LWSS240-(X)-1					
TBQCMM04-LWMS240-(X)-1	400				
TBQCMM04-LWSS240-(X)-1					

- NEMA 3R Enclosure
  - Trapped cable door prevents cable disconnection by unauthorized personnel
  - Connects to MTS lug (see detail E on dimension drawing)
- (X) = 2 or 3 Pole. (3 Pole for switched neutral only)

**TYPICAL ONE LINE DIAGRAM (INPUT PANELS)**



**DIMENSIONS OF INTEGRATED MTS SINGLE PHASE SERIES 100-400 AMP**



**ORDERING INFORMATION**

Series	Camlock Type	Amperage	Enclosure Option	Voltage	# of Switched Poles	Phases						
TBQCM	MTS	M	Male	01	100A	LWMS	Large Wall Mount Mild Steel	240	120/240	2	2 pole	1
				02	200A	LWSS	Large Wall Mount Stainless Steel			3	3 pole Switched Neutral	
				04	400A							

**ENCLOSURE SPECIFICATIONS**

Type	Height	Width	Depth	Material	Color/Finish	Standard Components
NEMA 3R	41.8"	32"	19.8"	Mild Steel	ANSI 61 Gray	A Trapped Cable Door
				Stainless Steel	Clear Brushed Finish	B Remote Start/Stop Terminals
						C Additional Accessory Mounting
						D Mounting Hole Pattern – (4X) 0.50" dia. (30.50" x 40.50")
						E Manual Transfer Switch
						F Series 16, 400 Amp, 600 VAC, Single Pole Camlock Receptacle
						G Key Lock Handle (x2)
						H Quarter Turn Twist Lock Handle (Non-Locking)

Voltage	Ground	Neutral	L1	L2	# of Rows
120/240					x1

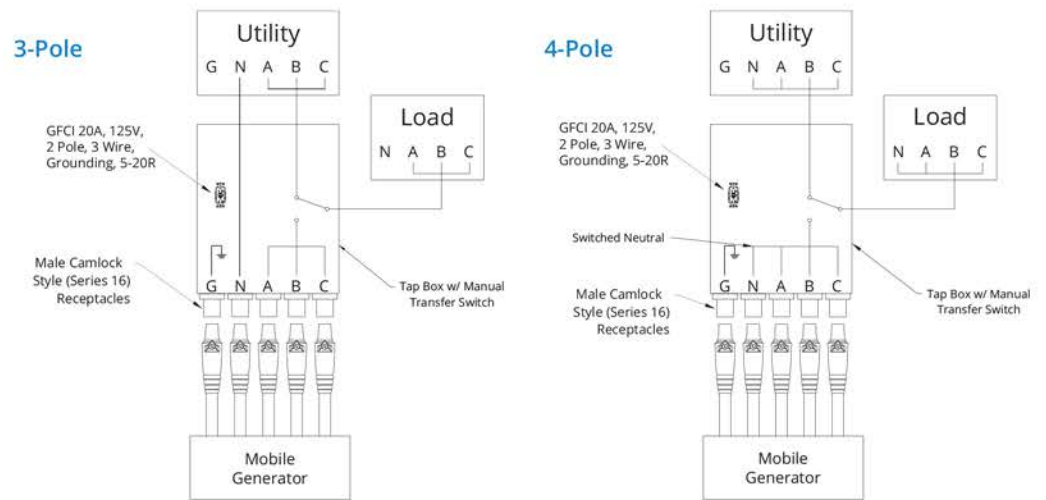
MTS SERIES

INTEGRATED MTS SERIES, UL LISTED, DOCKING STATION 100 – 400 AMP

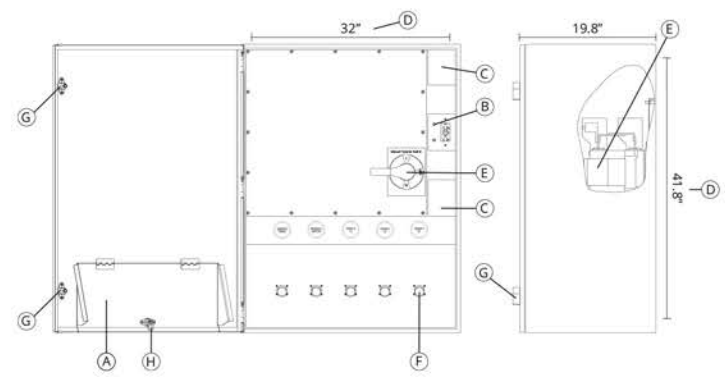
Part Number	Rating	SCCR Rating	Technical Data	Enclosure Option	Dimensions
TBQCM01-LWMS(XXX)-(X)	100	22 kA RMS 600 VAC Max	3 Pole or 4 Pole, 5 Wire, 120/208 VAC, 120/240 VAC, 277/480 VAC, or 347/600 VAC	Wall mount, mild steel or stainless steel	41.8"H x 32"W x 19.8"D
TBQCM01-LWSS(XXX)-(X)					
TBQCM02-LWMS(XXX)-(X)	200				
TBQCM02-LWSS(XXX)-(X)					
TBQCM04-LWMS(XXX)-(X)	400				
TBQCM04-LWSS(XXX)-(X)					

- UL Listed NEMA 3R Enclosure
  - Trapped cable door prevents cable disconnection by unauthorized personnel
  - Connects to MTS lug (see detail E on dimension drawing)
  - Completed assembly safety agency approved
  - cULus Listed 1008 / Control # 47HY / Product ID: Enclosed Power Inlet
- (XXX) = voltage being used; ex: LWMS480  
(X) = 3 or 4 pole; ex: LWMS480-3

TYPICAL ONE LINE DIAGRAM (INPUT PANELS)



DIMENSIONS OF INTEGRATED MTS SERIES 100-400 AMP



ORDERING INFORMATION

Series	Camlock Type	Amperage	Enclosure Option	Voltage	# of Switched Poles						
TBQCM	MTS	M	Male	01	100A	LWMS	Large Wall Mount Mild Steel	208	208Y/120V	3	3 pole Solid Neutral
					02						
		04	400A	480	480Y/277V						
		600	600Y/347V								

ENCLOSURE SPECIFICATIONS

Type	Height	Width	Depth	Material	Color/Finish	Standard Components					
NEMA 3R	41.8"	32"	19.8"	Mild Steel	ANSI 61 Gray	A	Trapped Cable Door				
				Stainless Steel	Clear Brushed Finish	B	Remote Start/Stop Terminals				
						C	Additional Accessory Mounting				
						D	Mounting Hole Pattern – (4X) 0.50" dia. (30.50" x 40.50")				
						E	Manual Transfer Switch				
						F	Series 16, 400 Amp, 600 VAC, Single Pole Camlock Receptacle				
						G	Key Lock Handle (x2)				
						H	Quarter Turn Twist Lock Handle (Non-Locking)				

Voltage	Ground	Neutral	L1	L2	L3	# of Rows
208Y/120						x1
240/120						x1
480Y/277						x1
600/347						x1

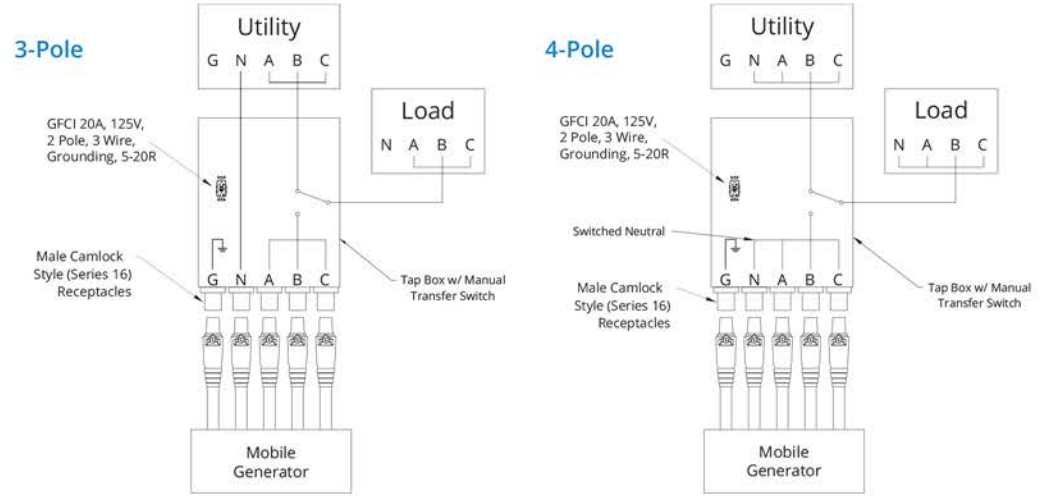
**MTS SERIES**

**INTEGRATED MTS SERIES, UL LISTED, DOCKING STATION 600 - 1200 AMP**

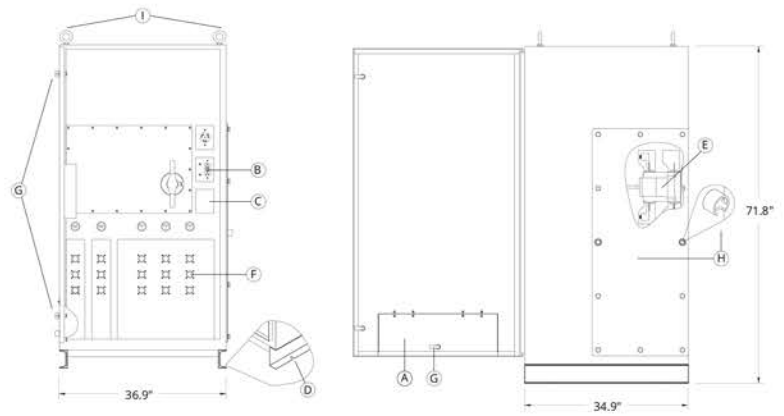
Part Number	Rating	SCCR Rating	Technical Data	Enclosure Option	Dimensions
TBQCMM06-MPMS(XXX)-(X)	600	22 kA RMS 600 VAC Max	3 Pole or 4 Pole, 5 Wire 120/208 VAC, 120/240 VAC, 277/480 VAC, or 347/600 VAC	Pad mount, mild steel or stainless steel	71.8"H x 36.9"W x 34.9"D
TBQCMM06-MPSS(XXX)-(X)					
TBQCMM08-MPMS(XXX)-(X)	800				
TBQCMM08-MPSS(XXX)-(X)					
TBQCMM12-MPMS(XXX)-(X)	1200	50 kA RMS 600 VAC Max			
TBQCMM12-MPSS(XXX)-(X)					

- UL Listed NEMA 3R Enclosure
  - Trapped cable door prevents cable disconnection by unauthorized personnel
  - Connects to MTS lug (see detail E on dimension drawing)
  - Completed assembly safety agency approved
    - cULus Listed 1008 / Control # 47HY / Product ID: Enclosed Power Inlet
- (XXX) = voltage being used; ex: MPMS600  
(X) = 3 or 4 pole; ex: MPMS600-3

**TYPICAL ONE LINE DIAGRAM (INPUT PANELS)**



**DIMENSIONS OF INTEGRATED MTS SERIES 600-1200 AMP**



**ORDERING INFORMATION**

Series	Camlock Type	Amperage	Enclosure Option	Voltage	# of Switched Poles						
TBQCM	MTS	M	Male	06	600A	MPMS	Medium Pad Mount Mild Steel	208	208Y/120V	3	3 pole Solid Neutral
				08	800A			240	240/120V		
				12	1200A	MPSS	Medium Pad Mount Stainless Steel	480	480Y/277V	4	4 pole Switched Neutral
600	600Y/347V										

**ENCLOSURE SPECIFICATIONS**

Type	Height	Width	Depth	Material	Color/Finish
NEMA 3R	71.8"	36.9"	34.9"	Mild Steel	ANSI 61 Gray
				Stainless Steel	Clear Brushed Finish

Voltage	Ground	Neutral	L1	L2	L3	# of Rows (600-800A)	# of Rows (1200A)
208Y/120	GRN	WHT	BLK	RED	BLU	x2	x3
240/120	GRN	WHT	BLK	RED	BLU	x2	x3
480Y/277	GRN	WHT	BRN	ORG	YEL	x2	x3
600/347	GRN	WHT	BLK	RED	BLU	x2	x3

Standard Components	
A	Trapped Cable Door
B	Remote Start/Stop Terminals & GFCI 20 Amp Receptacle
C	Additional Accessory Mounting
D	Pad Mounting Layout Estimated Opening - 0.50" dia. - 36.0"W X 23.75"D*
E	Manual Transfer Switch
F	Series 16, 400 Amp, 600 VAC, Single Pole Camlock Receptacle
G	Pad Lockable Handle Hex SWS w/Pin
H	Utility Side Door secured with Penta Bolts and (2x) Pad Lock Provisions
I	Eye Lifting Hooks

GENERATOR TAP BOX ATS SERIES



## GENERATOR TAP BOX ATS SERIES

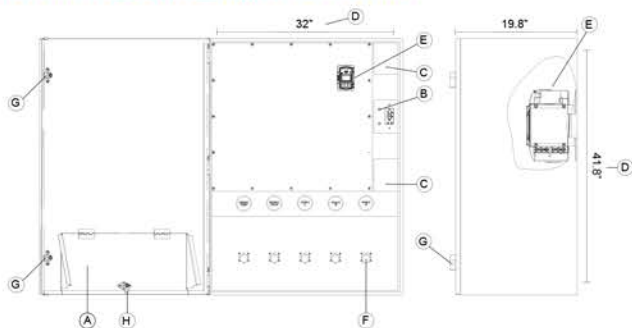
The POWERTRON Generator Tap Box ATS offer a versatile range of options for electrical distribution, accommodating current ratings from 60A to 1200A in both single phase and three phase configurations. Available in 2 (60A-600A), 3, and 4 pole setups, these tap boxes are equipped with a UL1008 rated open transition transfer switch, ensuring reliable and efficient switching between power sources. Ideal for critical applications, they provide seamless power management and enhanced safety features, making them suitable for a variety of industrial and commercial environments.

### INTEGRATED ATS SERIES, GENERATOR, DOCKING STATION 60 - 400 AMP

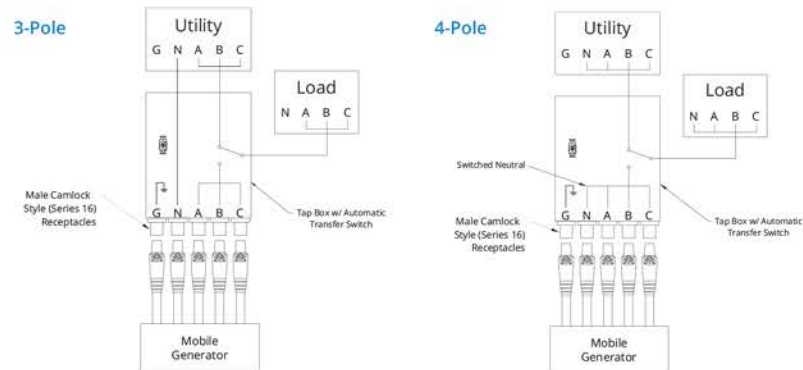
Part Number	Rating	Technical Data	Enclosure Option	Dimensions
TBQCAM006(X)-LWMS(XXX)(-X)	60A	2, 3, 4 Pole 120/208 VAC, 120/240 VAC, 277/480 VAC,	Wall mount, mild steel or stainless steel	41.8"H x 32"W x 19.8"D
TBQCAM006(X)-LWSS(XXX)(-X)				
TBQCAM01(X)-LWMS(XXX)(-X)	100A			
TBQCAM01(X)-LWSS(XXX)(-X)				
TBQCAM02(X)-LWMS(XXX)(-X)	200A			
TBQCAM02(X)-LWSS(XXX)(-X)				
TBQCAM026(X)-LWMS(XXX)(-X)	260A			
TBQCAM026(X)-LWSS(XXX)(-X)				
TBQCAM04(X)-LWMS(XXX)(-X)	400A			
TBQCAM04(X)-LWSS(XXX)(-X)				

- Fully Welded UL Listed NEMA 3R Enclosure
  - Trapped cable door prevents cable disconnection by unauthorized personnel
  - cULus Listed 1008 Transfer Switch
- (X) = Select solid neutral, switched neutral, or none.  
ex: TBQCAM01S
- (XXX) = voltage being used;  
ex: LWMS480
- (-X) = number of switched poles;  
ex: LWMS480-3

### DIMENSIONS OF INTEGRATED ATS SERIES 60-400 AMP



### TYPICAL ONE LINE DIAGRAM (INPUT PANELS)



### PART NUMBER BUILDER

Series	Camlock Type		AMP	Neutral		Enclosure Option		Voltage		# of Switched Poles				
	M	F		N	X	S	LWMS	LWSS	208	240	480	2	3	4
TBQCA	Male		006	60	N	None	LWMS	Large Wall Mount Mild Steel	208	208Y/120V	2	2 pole		
	Female		01	100	X	Solid Neutral	LWSS	Large Wall Mount Stainless Steel	240	240/120V	3	3 pole		
			02	200					480	480Y/277V	4	4 pole		
			026	260										
		04	400											

EXAMPLE PART NUMBER - TBQCAM04N-LWMS208-3

### ENCLOSURE SPECIFICATIONS

Type	Height	Width	Depth	Material	Color/Finish
NEMA 3R	41.8"	32"	19.8"	Mild Steel	ANSI 61 Gray
				Stainless Steel	Clear Brushed Finish

Voltage	Ground	Neutral	L1	L2	L3	# of Rows
208Y/120	GRN	WHF	BLU	RED	BLU	x1
240/120	GRN	WHF	BLK	RED	BLU	x1
480Y/277	GRN	WHF	BRN	ORG	YEL	x1

Standard Components	
A	Trapped Cable Door
B	Remote Start/Stop Terminals
C	Additional Accessory Mounting
D	Mounting Hole Pattern - (4X) 0.50" dia. (30.50" x 40.50")
E	Automatic Transfer Switch
F	Series 16, 400 Amp, 600 VAC, Single Pole Camlock Receptacle
G	Key Lock Handle (x2)
H	Quarter Turn Twist Lock Handle (Non-Locking)

## GENERATOR TAP BOX ATS SERIES

The POWERTRON Generator Tap Box ATS offer a versatile range of options for electrical distribution, accommodating current ratings from 60A to 1200A in both single phase and three phase configurations. Available in 2 (60A-600A), 3, and 4 pole setups, these tap boxes are equipped with a UL1008 rated open transition transfer switch, ensuring reliable and efficient switching between power sources. Ideal for critical applications, they provide seamless power management and enhanced safety features, making them suitable for a variety of industrial and commercial environments.

### INTEGRATED ATS SERIES, GENERATOR, DOCKING STATION 600 - 1200 AMP

Part Number	Rating	Technical Data	Enclosure Option	Dimensions	
TBQCAM06(X)-MPMS(XXX)(-X)	600A	2, 3, 4 Pole 120/208 VAC, 120/240 VAC, 277/480 VAC,	Pad mount, mild steel or stainless steel	71.8"H x 36.9"W x 34.9"D	
TBQCAM06(X)-MPSS(XXX)(-X)					
TBQCAM08(X)-MPMS(XXX)(-X)	800A	3 and 4 Pole 120/208 VAC, 120/240 VAC, 277/480 VAC,			
TBQCAM08(X)-MPSS(XXX)(-X)					
TBQCAM10(X)-MPMS(XXX)(-X)	1000A				
TBQCAM10(X)-MPSS(XXX)(-X)					
TBQCAM12(X)-MPMS(XXX)(-X)	1200A				
TBQCAM12(X)-MPSS(XXX)(-X)					

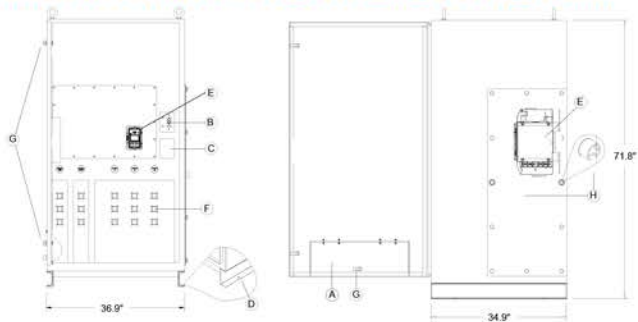
- Fully Welded UL Listed NEMA 3R Enclosure
- Trapped cable door prevents cable disconnection by unauthorized personnel
- cULus Listed 1008 Transfer Switch

(X) = Select solid neutral, switched neutral, or none.  
ex: TBQCAM08S

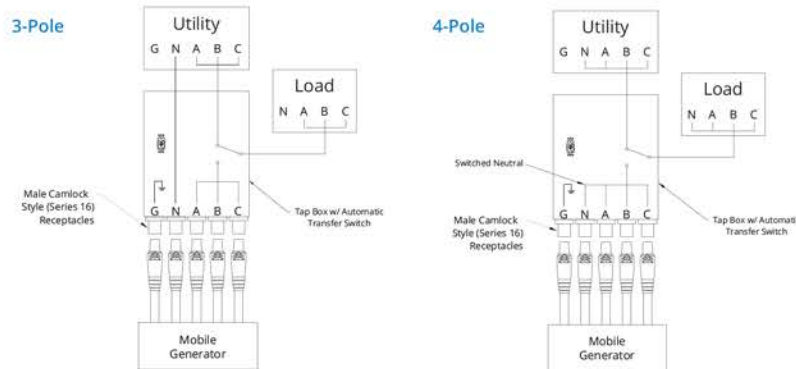
(XXX) = voltage being used;  
ex: MPMS480

(-X) = number of switched poles;  
ex: MPMS480-3

### DIMENSIONS OF INTEGRATED ATS SERIES 600-1200 AMP



### TYPICAL ONE LINE DIAGRAM (INPUT PANELS)



### PART NUMBER BUILDER

Series	Camlock Type	AMP	Neutral	Enclosure Option	Voltage	# of Switched Poles
TBQCA	M Male	06 600	N None	MPMS Medium Pad Mount Mild Steel	208 208Y/120V	2 2 pole (600A only)
	F Female	08 800	X Solid Neutral	MPSS Medium Pad Mount Stainless Steel	240 240/120V	3 3 pole
		10 1000	S Switched Neutral			
		12 1200				

EXAMPLE PART NUMBER - TBQCAM06N-MPMS208-3

### ENCLOSURE SPECIFICATIONS

Type	Height	Width	Depth	Material	Color/Finish
NEMA 3R	71.8"	36.9"	34.9"	Mild Steel	ANSI 61 Gray
				Stainless Steel	Clear Brushed Finish

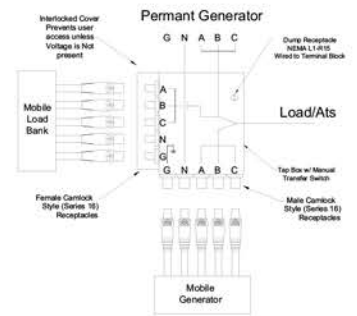
Voltage	Ground	Neutral	L1	L2	L3	# of Rows (600-800A)	# of Rows (1200A)
208Y/120	GRN	WHT	BLK	RED	BLU	x2	x3
240/120	GRN	WHT	BLK	RED	BLU	x2	x3
480Y/277	GRN	WHT	BRN	ORG	YEL	x2	x3

Standard Components	
A	Trapped Cable Door
B	Remote Start/Stop Terminals & GFCI 20 Amp Receptacle
C	Additional Accessory Mounting
D	Pad Mounting Layout Estimated Opening - 0.50" dia. - 23.65" x 35.5"
E	Automatic Transfer Switch
F	Series 16, 400 Amp, 600 VAC, Single Pole Camlock Receptacle
G	Pad Lock with Handle Hex SWS w/Pin
H	Utility Side Door secured with Penta Bolts and (2x) Pad Lock Provisions
I	Eye Lifting Hooks

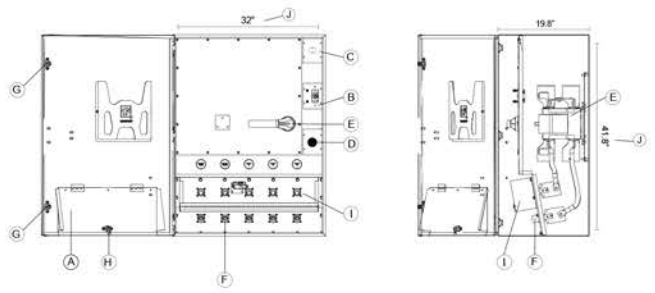
**DUAL-PURPOSE MTS TAP BOX SERIES**

The POWERTRON Dual-Purpose MTS (Manual Transfer Switch) is engineered to provide seamless backup power solutions and load testing capabilities within a single, efficient unit. Designed to meet NEC 700.3(F) requirements, this innovative solution simplifies power management by integrating manual transfer switching and quick-connect features for load banks and standby generators. Available in models ranging from 100 to 1200 amps, these units are built to UL standards and deliver reliable performance for critical applications. With a weatherproof NEMA Type 3R enclosure and trapped cable door for added security, the POWERTRON Dual-Purpose MTS ensures safe, convenient, and economical connectivity for maintenance, testing, and backup power needs.

**TYPICAL ONE LINE DIAGRAM (INPUT PANELS)**



**DIMENSIONS OF DUAL-PURPOSE MTS SERIES 100-400 AMP**



**DUAL-PURPOSE MTS SERIES, UL LISTED, DOCKING STATION 100 – 400 AMP**

Part Number	Rating	SCCR Rating	Technical Data	Enclosure Option	Dimensions
TBQCDP01-LWMS(XXX)(-X)	100A	22 kA RMS 600 VAC Max	2, 3 or 4 Pole, 5 Wire 120/208 VAC, 120/240 VAC, 277/480 VAC, or 347/600 VAC	Wall mount, mild steel or stainless steel	41.8"H x 32"W x 19.8"D
TBQCDP01-LWSS(XXX)(-X)					
TBQCDP02-LWMS(XXX)(-X)	200A				
TBQCDP02-LWSS(XXX)(-X)					
TBQCDP04-LWMS(XXX)(-X)	400A				
TBQCDP04-LWSS(XXX)(-X)					

- UL Listed NEMA 3R Enclosure
- Trapped cable door prevents cable disconnection by unauthorized personnel
- Male Series 16 Camlocks for ease of temporary generator hook up
- Female Series 16 Camlocks Interlocked with a Panduit Absence of Voltage detector
- Standard Load dump receptacle (NEMA L1-R15)
- Auto Start Terminals with Auto Start Destination Switch
- Completed assembly safety agency approved
- cULus Listed 1008 / Control # WPVQ/ Product ID: Enclosed Power Inlet

(XXX) = voltage being used; ex: LWMS480  
(-X) = 2, 3, 4 pole; ex: LWMS480-3

**PART NUMBER BUILDER**

Series	Amperage	Enclosure Option	Voltage	# of Switched Poles
TBQCDP	Dual	LWMS Large Wall Mount Mild Steel	208 208Y/120V	2 2 pole
	01 100A		240 240/120V	3 3 pole
	02 200A	LWSS Large Wall Mount Stainless Steel	480 480Y/277V	4 4 pole
	04 400A		600 600Y/347V	

EXAMPLE PART NUMBER: TBQCDP04-LWMS-208-3

**ENCLOSURE SPECIFICATIONS**

Type	Height	Width	Depth	Material	Color/Finish
NEMA 3R	41.8"	32"	19.8"	Mild Steel	ANSI 61 Gray
				Stainless Steel	Clear Brushed Finish

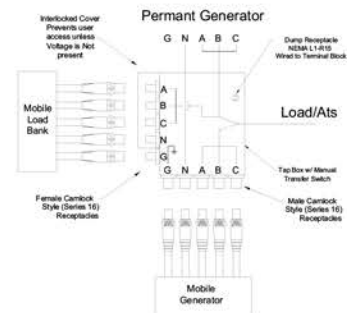
Voltage	Ground	Neutral	L1	L2	L3
208Y/120	GRN	WHT	BLU	RED	BLU
240/120	GRN	WHT	BLU	RED	BLU
480Y/277	GRN	WHT	BRN	ORG	VEL
600/347	GRN	WHT	BLU	RED	BLU

Standard Components	
A	Trapped Cable Door
B	Remote Start/Stop Terminals with Ground Fault
C	Load Dump Receptacle L1-15R
D	Absence of Voltage Detector with Access Control
E	Manual Transfer Switch
F	Series 16, Single Pole Camlock Receptacle, Male
G	Key Lock Handle (x2)
H	Quarter Turn Twist Lock Handle (Non-Locking)
I	Series 16, Single Pole Camlock Receptacle, Female
J	Mounting Hole Pattern - (4X) 0.50" dia. (30.50" x 40.50")

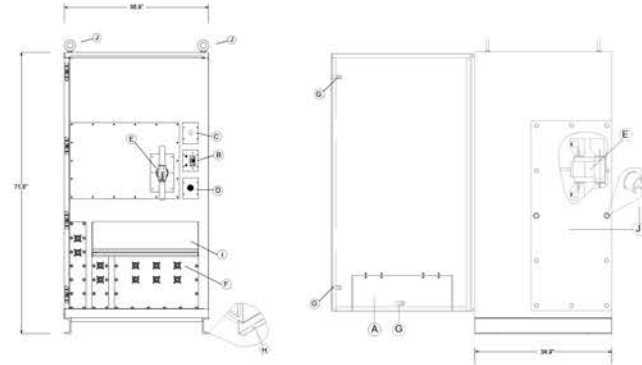
## DUAL-PURPOSE MTS TAP BOX SERIES

The POWERTRON Dual-Purpose MTS (Manual Transfer Switch) is engineered to provide seamless backup power solutions and load testing capabilities within a single, efficient unit. Designed to meet NEC 700.3(F) requirements, this innovative solution simplifies power management by integrating manual transfer switching and quick-connect features for load banks and standby generators. Available in models ranging from 100 to 1200 amps, these units are built to UL standards and deliver reliable performance for critical applications. With a weatherproof NEMA Type 3R enclosure and trapped cable door for added security, the POWERTRON Dual-Purpose MTS ensures safe, convenient, and economical connectivity for maintenance, testing, and backup power needs.

### TYPICAL ONE LINE DIAGRAM (INPUT PANELS)



### DIMENSIONS OF DUAL-PURPOSE MTS SERIES 600-1200 AMP



### DUAL-PURPOSE MTS SERIES, UL LISTED, DOCKING STATION 600 – 1200 AMP

Part Number	Rating	SCCR Rating	Technical Data	Enclosure Option	Dimensions
TBQCDP06-MPMS(XXX)(-X)	600A	22 kA RMS 600 VAC Max	2, 3 or 4 Pole, 5 Wire 120/208 VAC, 120/240 VAC, 277/480 VAC, or 347/600 VAC	Pad mount, mild steel or stainless steel	71.8"H x 36.9"W x 34.9"D
TBQCDP08-MPMS(XXX)(-X)					
TBQCDP08-MPSS(XXX)(-X)	800A	50 kA RMA 600 VAC Max			
TBQCDP12-MPMS(XXX)(-X)					
TBQCDP12-MPSS(XXX)(-X)	1200A				

- UL Listed NEMA 3R Enclosure
- Trapped cable door prevents cable disconnection by unauthorized personnel
- Male Series 16 Camlocks for ease of temporary generator hook up
- Female Series 16 Camlocks Interlocked with a Panduit Absence of Voltage detector
- Standard Load dump receptacle (NEMA L1-R15)
- Auto Start Terminals with Auto Start Destination Switch
- Completed assembly safety agency approved
- cULus Listed 1008 / Control # WPVQ/ Product ID: Enclosed Power Inlet

(XXX) = voltage being used; ex: MPMS600  
(-X) = 2, 3, 4 pole; ex: MPMS480-3

### PART NUMBER BUILDER

Series	Amperage	Enclosure Option	Voltage	# of Switched Poles
TBQCDP	06 600A	MPMS Medium Pad Mount Mild Steel	208 208Y/120V	2 2 pole
	08 800A	MPSS Medium Pad Mount Stainless Steel	240 240/120V	3 3 pole
	12 1200A		480 480Y/277V	4 4 pole
			600 600Y/347V	

EXAMPLE PART NUMBER: TBQCDP06-MPMS-208-3

### ENCLOSURE SPECIFICATIONS

Type	Height	Width	Depth	Material	Color/Finish
NEMA 3R	71.8"	36.9"	34.9"	Mild Steel	ANSI 61 Gray
				Stainless Steel	Clear Brushed Finish

Voltage	Ground	Neutral	L1	L2	L3
208Y/120	GRN	WHT	BLK	RED	BLU
240/120	GRN	WHT	BLK	RED	BLU
480Y/277	GRN	WHT	BRN	ORG	YEL
600/347	GRN	WHT	BLK	RED	BLU

Standard Components	
A	Trapped Cable Door
B	Remote Start/Stop Terminals with Ground Fault
C	Load Dump Receptacle L1-15R
D	Panduit Absence of Voltage Detector
E	Manual Transfer Switch
F	Series 16, Single Pole Male Camlock Receptacle
G	Pad Lockable Handle Hex SWS with Pin
H	Pad Mounting Layout Estimated Opening - .50" dia. 36" x 23.75"
I	Series 16, Single Pole Female Camlock Receptacle
J	Utility Side Door Secured with Penta Bolts and (2x) Pad Lock Provisions
K	Eye Lifting Hooks

**GENERATOR CABLE ASSEMBLIES**



**TECHNICAL DATA**

Camlock Connectors	
Product Description	Cam-type connector, industrial grade, series 16, male and female
Rating	Rated up to 400 Amps, 600 Volt, NEMA 3R

Cable	
Product Description	Single conductor, type W, extra flex cable
Rating	2/0 AWG, 300 Amp, 90°C, 2000 Volt (Other sizes are available upon request)
	4/0 AWG, 405 Amp, 90°C, 2000 Volt (Other sizes are available upon request)

**CABLE ASSEMBLY CONFIGURATOR**

**TBQC**

Tap Box Quick Connect

<input type="text"/>	<input type="text"/>	<input type="text"/>	<input type="text"/>	<input type="text"/>	<input type="text"/>						
Cable Size		Cable Type		Cable End A		Cable End B		Cable Length		Camlock Color	
20	2/0 AWG	W	Type W	M	Male End	M	Male End	4	4 Feet	BK	Black
40	4/0 AWG			F	Female End	F	Female End	10	10 Feet	BL	Blue
				B	Bare End	B	Bare End	15	15 Feet	BR	Brown
				L	Lug End	L	Lug End	20	20 Feet	GR	Green
								25	25 Feet	OR	Orange
								30	30 Feet	RD	Red
								35	35 Feet	WH	White
								40	40 Feet	YE	Yellow
								45	45 Feet		
								50	50 Feet		

**Sample Code:**

TBQC40WBF15BK = 4/0 AWG, Type W, Bare End, Female End, 15 Feet, Black

**Common Connectivity Applications**

- Generator Tap Box has male receptacles
  - Mobile generator has female receptacles and/or bus bar
- These applications are commonly found, but not 100%. Double check before ordering.*

**TAP BOX CABLE ASSEMBLIES SIZES**



Use the chart to find the total number of generator cable assemblies required for your Powertron® Tap Box Quick Connect. All tap box units have a fully rated ground and neutral connections.

400 Amp		800 Amp		1200 Amp		1600 Amp		2000 Amp	
Single Phase	Three Phase	Single Phase	Three Phase	Single Phase	Three Phase	Single Phase	Three Phase	Single Phase	Three Phase
4 Pieces	5 Pieces	8 Pieces	10 Pieces	12 Pieces	15 Pieces	16 Pieces	20 Pieces	20 Pieces	25 Pieces
1 Row		2 Rows		3 Rows		4 Rows		5 Rows	
2400 Amp		2800 Amp		3200 Amp		3600 Amp		4000 Amp	
Single Phase	Three Phase	Single Phase	Three Phase	Single Phase	Three Phase	Single Phase	Three Phase	Single Phase	Three Phase
24 Pieces	30 Pieces	28 Pieces	35 Pieces	32 Pieces	40 Pieces	36 Pieces	45 Pieces	40 Pieces	50 Pieces
6 Rows		7 Rows		8 Rows		9 Rows		10 Rows	

POWERTRON AND RONK

Our Commitment to the Powertron Brand

At **RONK Electrical Industries**, we take pride in building products that stand the test of time. The Powertron line represents our ongoing commitment to engineering excellence and trusted performance in power transfer technology. As we continue to grow the Powertron brand, our focus remains on developing innovative, field-ready solutions that meet the evolving needs of the electrical industry. Every product we design, engineer, and build reflects our dedication to safety, reliability, and the professionals who depend on **RONK** equipment every day. With Powertron, you can count on the same craftsmanship and integrity that have defined **RONK** for more than 75 years, and our promise to keep powering progress for decades to come.

For More Information...

To learn more about the Powertron line or explore the full range of **RONK** products, visit us online at [www.ronkelectrical.com](http://www.ronkelectrical.com)





**POWERTRON<sup>®</sup>**

RONK ELECTRICAL INDUSTRIES  
PO BOX 160, 106 E. State Street  
Nokomis, IL. 62075-0160  
Sales Toll-Free: 1-800-221-7665  
[www.ronkelectrical.com](http://www.ronkelectrical.com)