

POWERTRON®

INTERLOCKED BREAKER SERIES

INTERLOCKED BREAKER SERIES, DOCKING STATION 1200 - 4000 AMP

Part Number	Rating	SCCR Rating	Technical Data	Enclosure Option	Dimensions
TBQCIM12-LPDMS(XXX)	1200	100 kA RMS 600 VAC Max (See below*)	3 Phase, 5 Wire, 208Y/120 VAC, 240/120 VAC, 480Y/277 VAC, or 600/347 VAC	Deep Pad mount, mild steel or stainless steel	74"H x 48"W x 68"D
TBQCIM16-LPDMS(XXX)	1600				
TBQCIM20-LPDMS(XXX)	2000				
TBQCIM24-LPDMS(XXX)	2400				
TBQCIM28-LPDMS(XXX)	2800				
TBQCIM30-LPDMS(XXX)	3000				
TBQCIM32-LPDMS(XXX)	3200				
TBQCIM36-LPDMS(XXX)	3600				
TBQCIM40-LPDMS(XXX)	4000				

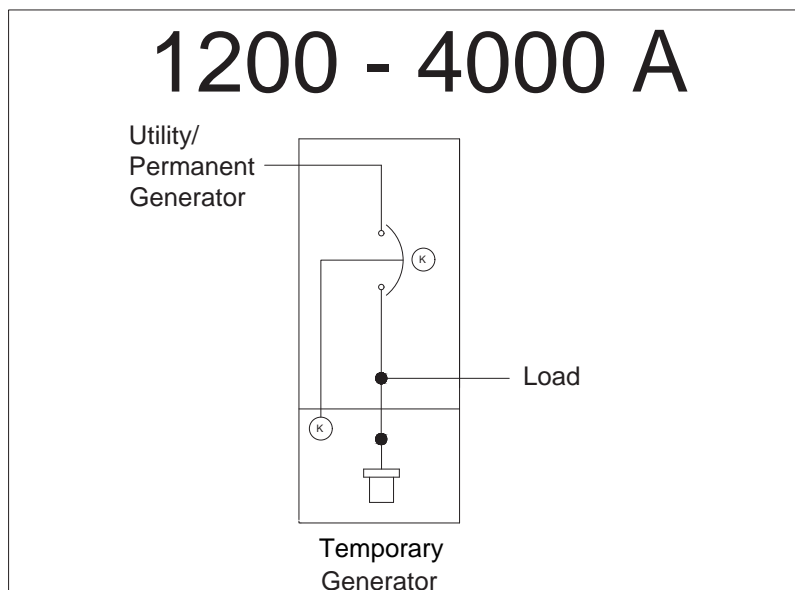
- Electronic Trip Circuit Breaker (LSI, LSIG, LSIA)
- Energy Reduction Management System (ERMS) - NEC Section 240.87
- Service Entrance Models Available
- Factory Installed Kirk Key Interlock: Main Breaker to Temporary Generator Connections
- NEMA 3R Enclosure
- Extra Depth Pad Mount Extension for Additional Conduit Access
- Interlocked Trapped cable door prevents cable disconnection by unauthorized personnel

(XXX) = voltage being used; ex: LPDMS480

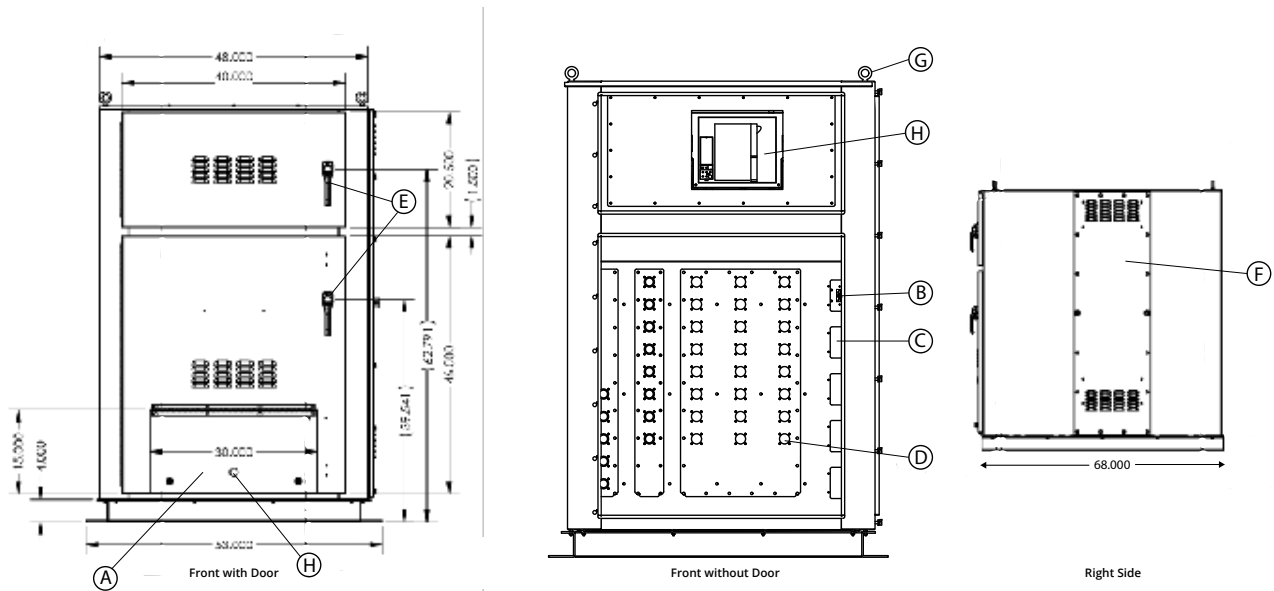
* SCCR based on circuit breaker AIC, 65 and 100 kA available.

Note: LPDSS (Stainless Steel) available for ordering as well

TYPICAL ONE LINE DIAGRAM (INPUT AND OUTPUT PANELS)



DIMENSIONS OF INTERLOCKED BREAKER SERIES 1200-4000 AMP



ENCLOSURE SPECIFICATIONS

Type	Height	Width	Depth	Material	Color/Finish
NEMA 3R	74"	48"	68"	Mild Steel	ANSI 61 Gray
				Stainless Steel	Clear Brushed Finish

Standard Components	
A	Trapped Cable Door
B	Remote Start/Stop Terminals & GFCI 20 Amp Receptacle
C	Cover Plate
D	Series 16, 400 Amp, 600 VAC, Single Pole Camlock Receptacle
E	Pad Lockable Handle
F	1 Utility Side Door Secured with Penta Bolts & (2X) Pad Lock Provisions
G	Eye Lifting Hooks
H	(X2) Kirk Key Mounting Brackets
Not Shown In Drawing	
	Bottom Conduit Access Point with Removable Panel
	Plated Copper Bus Bar
	Approx. Pad Dimensions (55"W x 70"D)

ORDERING INFORMATION

Series		Camlock Type		Amperage		Enclosure Option		Voltage	
TBQCI	Interlocked Breaker	M	Male	12	1200A	LPDMS	Large Pad Deep, Mild Steel	208	208Y/120V
				16	1600A			LPDSS	Large Pad Deep, Stainless Steel
				20	2000A	480	480Y/277V		
				24	2400A	600	600Y/347V		
				28	2800A				
				30	3000A				
				32	3200A				
				36	3600A				
				40	4000A				

Voltage	Ground	Neutral	L1	L2	L3	# of Rows	
208Y/120						x3 (1200A) x4 (1600A) x5 (2000A) x6 (2400A) x7 (2800A)	x8 (3000A) x8 (3200A) x9 (3600A) x10 (4000A)
240/120							
480Y/277							
600/347							



Revised 2026.3

Sales: 1-800-221-7665 • Service & Support: 1-217-563-8333

PO Box 160, 106 E State Street, Nokomis, IL 62075-0160 • sales@ronkelectrical.com • www.ronkelectrical.com