



PERGO-M8

NEW DESIGN 4600 MODEL WITH 4 POSTS

NEW DESIGN 4800 MODEL WITH 6 POSTS



LOUVRE BLADE

Other competitor
model from AU



130.8 x 35.5 x 1.1mm

Single Layer Skin

Maximum Span = 2.8m

New M8



193 x 40 x 1.6mm, 2 types of louvre blade

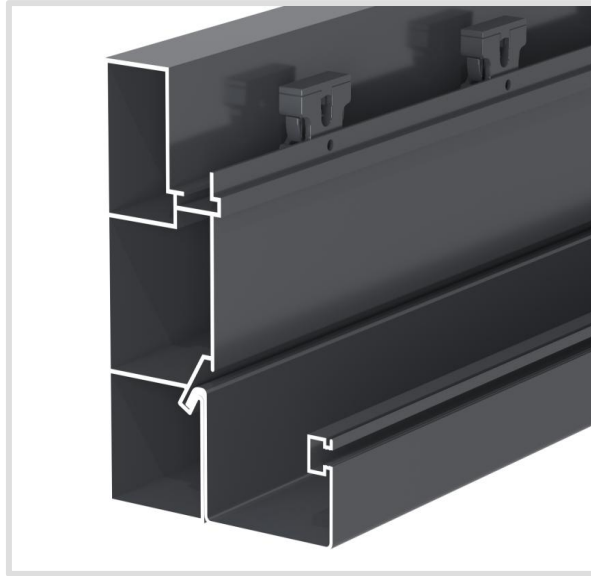
Double Layer Skin, Flat-ceiling Look with Weatherstrip

Maximum Span = 4m



BEAM & GUTTER

Other competitor model from AU



Beam: 175 x 35 x 1.5mm

Gutter: 65 x 57 x 1.5mm

Need silicone in some corners

New M8



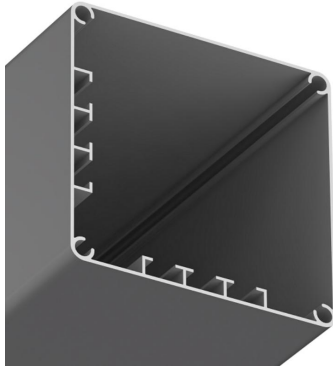
Beam&Gutter Integration: 200 x 123 x 3.0mm

No silicone needed, Invisible Pivoting Holders



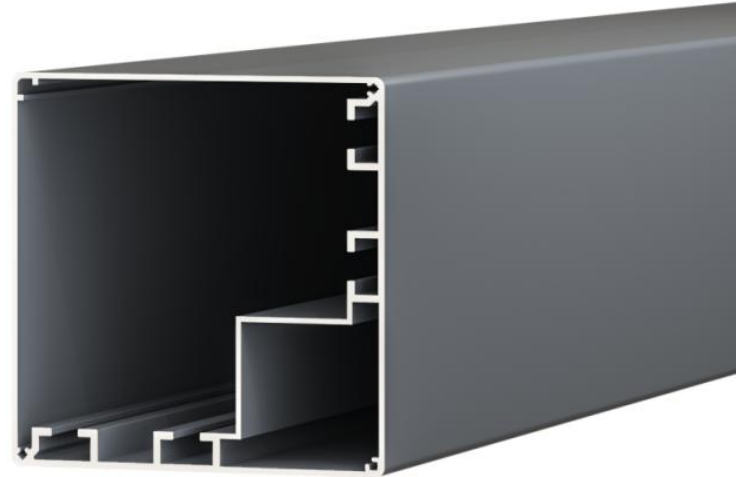
POST/LEG

Other competitor model from AU



120x 120 x 1.5mm
also have individual post without
separate cavity to run wire

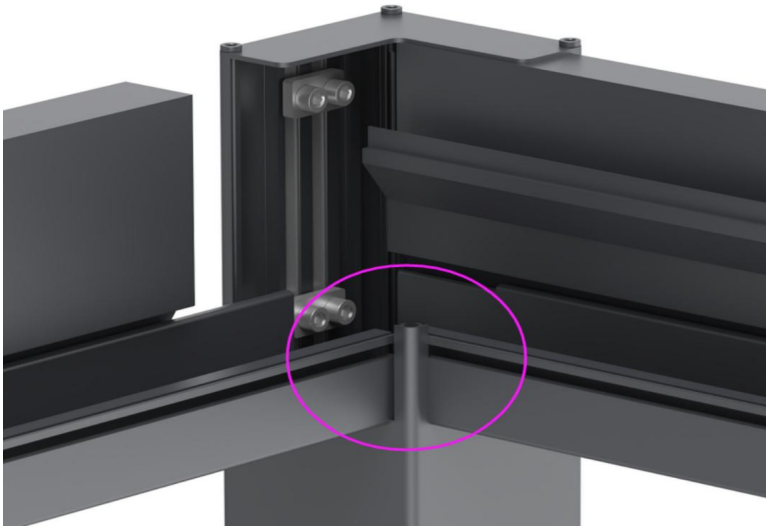
New M8



150 x 150 x 2mm (strong and robust)
separate cavity to run the electric wire
from rain water drainage

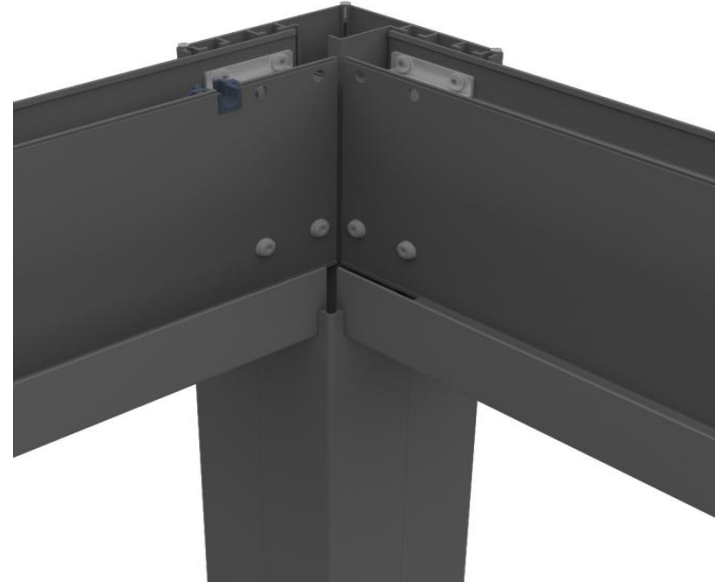
BEAM & POST CONNECTION

Other competitor model from AU



Beam Corner Union Look

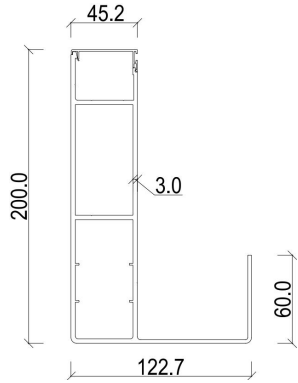
New M8



More streamline and sleek in beam corner look



Structure Profile Overview - M8

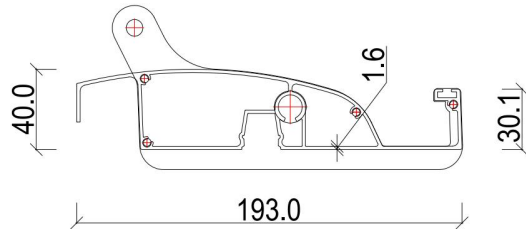
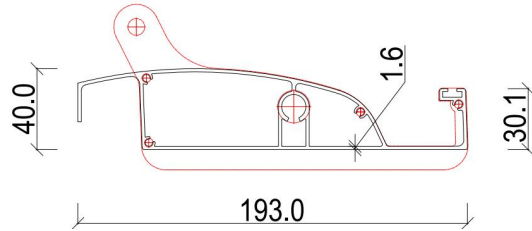


Beam Gutter Integration:

200 x 123 x 3.0mm

* No Need to Put Silicone Sealant

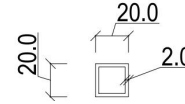
* Reinforced Beam with Invisible Pivot Holders.



Louver Blade:

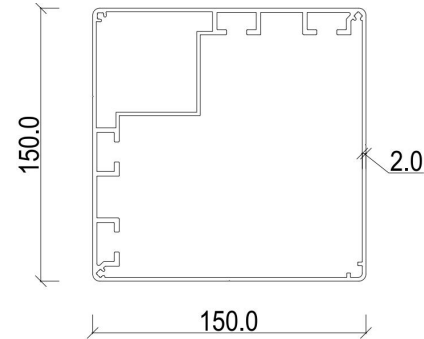
193 x 40 x 1.6mm

*Design with/without LED Fit-in-groove



Control Rod: 20 x 20 x 2mm

Industry-leading strong design with fixing bolts invisible from outside.

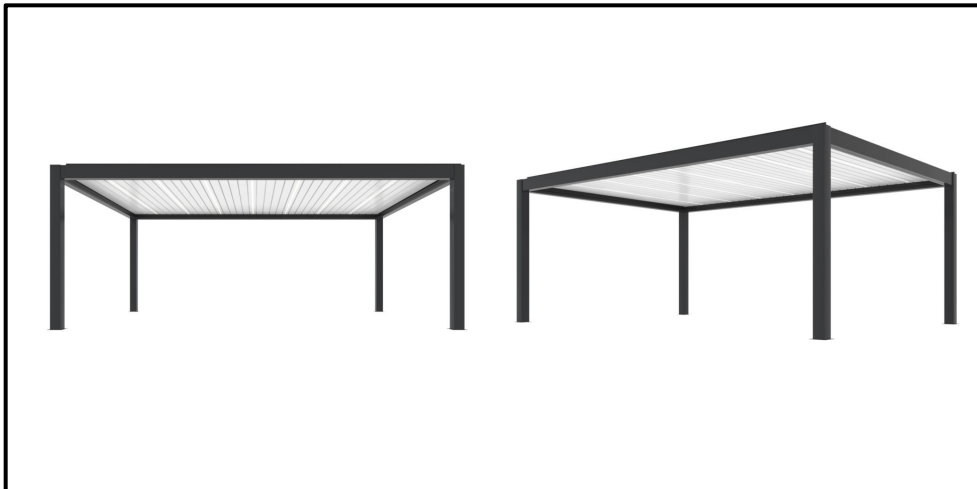


Post / Column: 150 x 150 x 2mm

Innovative Post design with separate cavity to run the electric wire inside.



4M W X 6M L X 2.8M H - One Bay



Material: 6063 T6 Aluminium

Double Layer Flat-ceiling Louver: 193 x 40 x 1.6mm thk.

Post/Leg: 150 x 150 x 2mm thk. Post Height : 2.5m~2.8m

Beam&Gutter Integration : 200 x 123 x 3.0mm thk.

Control Rod : 20 x 20 x 2.0mm thk.

Orientable and Tilting Louvers.

Channeling if rainwater: **Free-flow drainage**

OPERATION: supplied with 1 motor for opening / closing

Finishing Color available:

RAL 7016 Anthracite Grey for frame + RAL 9016 Traffic White for blade. Full Grey or Full White is also available.

LOGISTIC HS CODE: 7610900000

PRICING AND LOADING QTY :

MOTORIZED DESIGN WITH DIMMABLE LED LIGHTS ON LOUVERS

Unit Price: FOB GZ

US\$

Qty / Container:

MOQ = 1 x 40HQ - 24 pcs

1. Packing

10 Cartons Per Unit

2. Weight & Volume

Appr. GW: 545kg; 2.33CBM



4M W X 8M L X 2.8M H - One Bay



Material: 6063 T6 Aluminium

Double Layer Flat-ceiling Louver: 193 x 40 x 1.6mm thk.

Post/Leg: 150 x 150 x 2mm thk. Post Height : 2.5m~2.8m

Beam&Gutter Integration : 200 x 123 x 3.0mm thk.

Control Rod : 20 x 20 x 2.0mm thk.

Orientable and Tilting Louvers.

Channeling if rainwater: **Free-flow drainage**

OPERATION: supplied with 2 motors for opening / closing

Finishing Color available:

RAL 7016 Anthracite Grey for frame + RAL 9016 Traffic White for blade. Full Grey or Full White is also available.

LOGISTIC HS CODE: 7610900000

PRICING AND LOADING QTY :

MOTORIZED DESIGN WITH DIMMABLE LED LIGHTS ON LOUVERS

Unit Price: FOB GZ

US\$

Qty / Container:

MOQ = 1 x 40HQ - 20 pcs

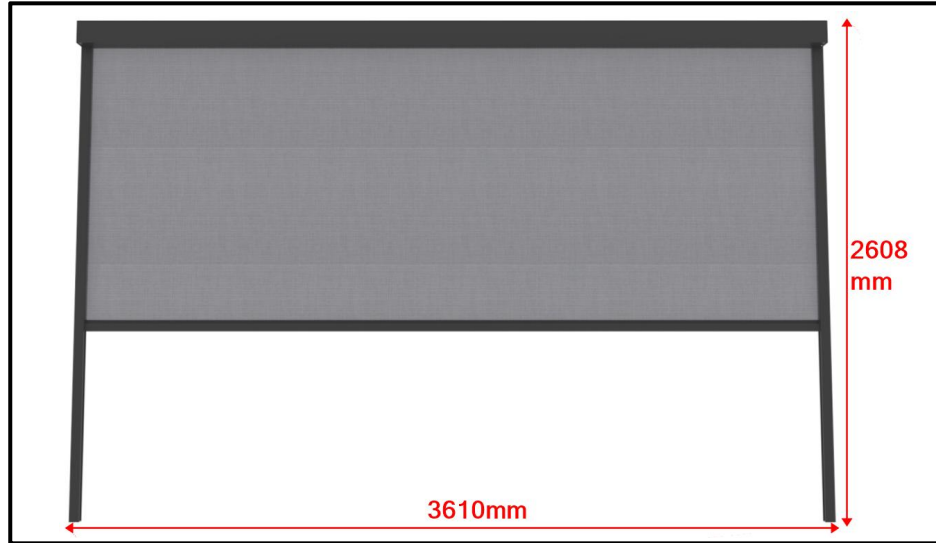
1. Packing

16 Cartons Per Unit

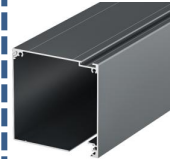
2. Weight & Volume

Appr. GW: 800kg; 3.3CBM

Optional Motorised Ziptrack Blind on 4m side



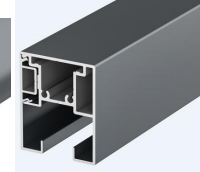
Material: 6063 T6 Aluminium



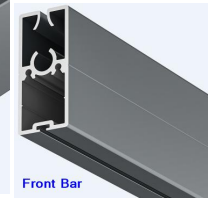
120x120 Top Box



78mm Axis Round Tube



Side Track for Zip and Wire



Front Bar

OPERATION: tubular blind motor to control rolling up / down.

Finishing Color available:

RAL 7016 Anthracite Grey for frame + RAL 9016 Traffic White for blade. Full Grey or Full White is also available.

PRICING AND LOADING QTY :

MOTORIZED DESIGN WITH SAME REMOTE CONTROL FOR PERGOLA AND LED LIGHTS

Unit Price: **FOB GZ**

US\$

Qty / Container:

1 x 20GP = 200 pcs

1. Packing

1 Cartons Per Unit

2. Weight & Volume

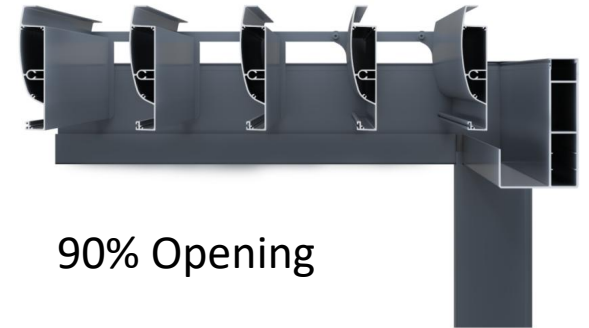
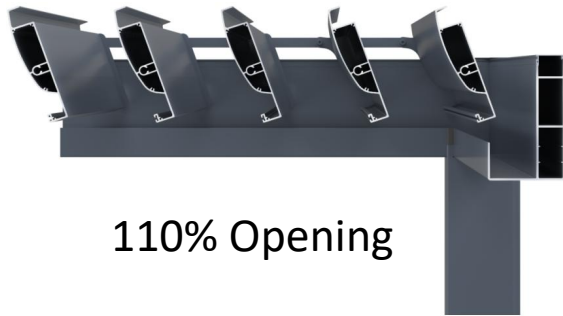
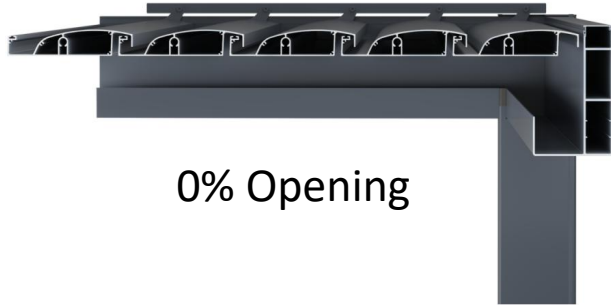
Appr. GW: 80kg; 0.09CBM

Why Choose M8?

The new Pergo-M8 model, it's premium quality built with competitive pricing. It has become the perfect alternative to a few established brands from Australia, such as Vergola, Stratco, LouvreTec, etc.

However it can only accept 15 standard sizes like one bay with 4 legs design in 3x3m, 3x4m, 3x5m, 3x6m, 3.5x4m, 3.5x5m, 3.5x6m, 4x4m, 4x5m, 4x6m. And also one bay with 6 legs design in size 3x7m, 3x8m, 3.5x7m, 3.5x8m, 4x8m. Besides, M8 model can only accept any other bespoke sizes in between the above mentioned standard sizes. They can only make single bay and not double bays. Because maximum M8 louvre blade span is 4meter.

How M8 Works



Stunning Features and Benefits of M8

- 1.** Can accept bespoke design to suit various project demands.
- 2.** The louvers can be rotating from 0° fully closing to 110° fully opening.
- 3.** The louvers come with weather strip to keep it 100% waterproof when rains.
- 4.** Standard dimmable led strip lights(in between 3000K warm + 6000K cold color).
- 5.** The whole framework is made of 6063-T6 aluminium alloy with great rigidity.
- 6.** Innovative self-developed 5-channel all-in-one remote to operate the led lights and electric motors at the same time.
- 7.** Integrated main controller box assembled on top of the post, concealed design to have nice outlook and very easy to do the maintainence.
- 8.** Innovative and patented post design with dual cavities to separate the water from the electricity for outdoor safety use.
- 9.** The post and the beam is interlocking with unique design for fast assembly and greater structural stability and rigidity.
- 10.** The entire pergola roof are fabricated as modular units to ensure the super user-friendly on easy and quick assembly as well as save costs for your projects.

All-in-one remote control



The innovative all-one-remote control is now developed and can achieve:

- * Individual control for louvre motor
- * Individual control for led strip lights
- * Individual control for ziptrack blinds
- * Collective control for all motors and led lights
- * Dimmable effects on led strip lights in two colors
- * Tuya App control on smart phone available

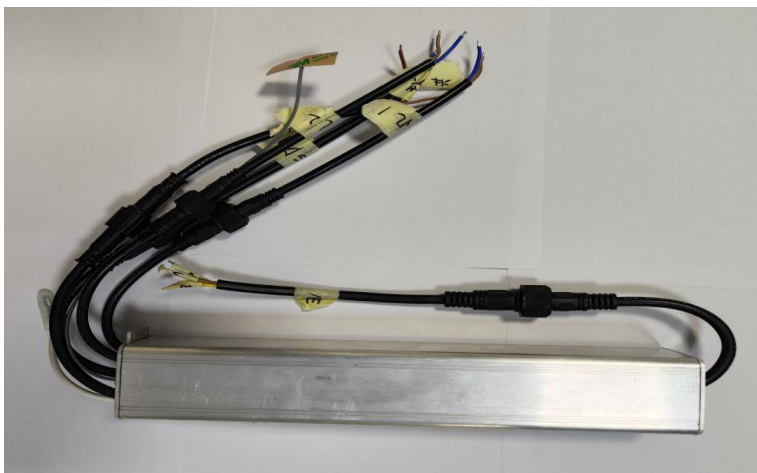




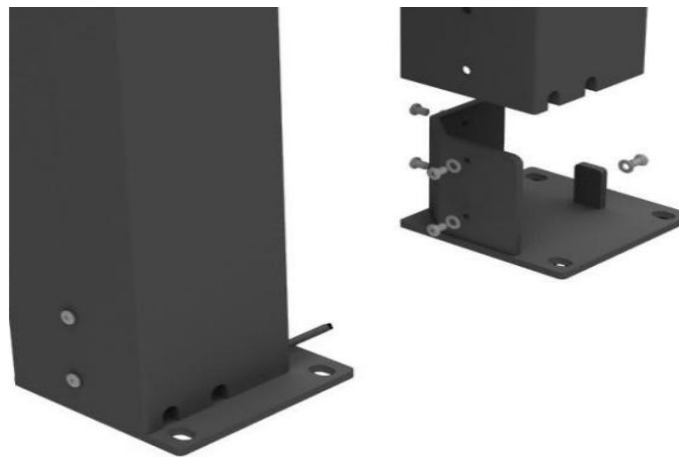
Integrated Controller

The M8 Pergola Controller is designed as a hub that allows controlling the pergola motors, led strip lights and ziptrack blind motors in just one remote solution.

It's easy to replace or do maintenance since this controller is housed on inner cavity of the upper post and invisible from sight.



Integrated Controller



Wire Outlet from Post Bottom

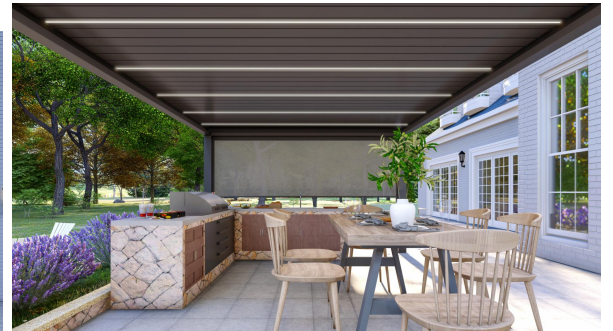
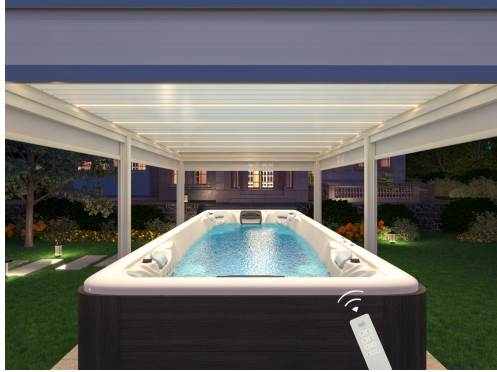
Concealed Base Plate

M8 Pergola is supplied with streamline and sleek foot cover to keep the post base plate and anchor bolts invisible.

Also the bottom of the side rail from ziptrack blinds is beautifully designed to allow a perfect-no-gap-match on the notch.



Perfect Match for Luxury Jacuzzi/Outdoor Kitchen



Design concept / Selling point:

The size 4M X 6M with only 4 posts is also a very popular demand on the market, while this size is awkward to both the bespoke luxury type pergola (high price) and standard size economical type pergola model (always come with 6 posts and limited add-on items). Now M8 makes perfect balance!

**Premium Quality Built and Affordable Pricing
with user-friendly assembly!**