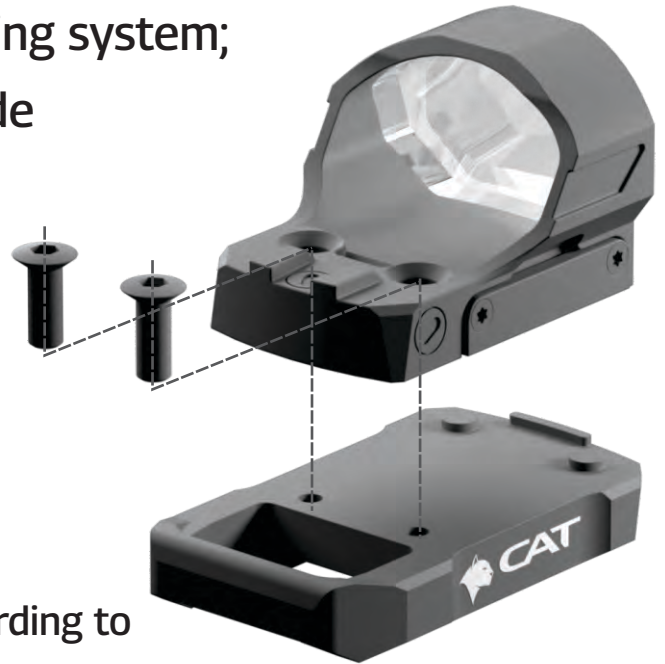




GEN2 EVO "Sport" Mount Technical Data Sheet

Quick mechanical-magnetic mounting system;
manufactured from aerospace-grade
aluminum and tempered steel,
designed to attach different
types of red dot sights to
various firearm models.



Specifications:

Rear Sight: Designed for each pistol according to its original height. Composed of two parts: the main body of the sight and a dovetail.

Joined together with screws.

Mount: Mechanical-magnetic with a high-power neodymium magnet.

Fixing Screws: UNC 6-32 thread.

Assembly Dimensions (RMS):

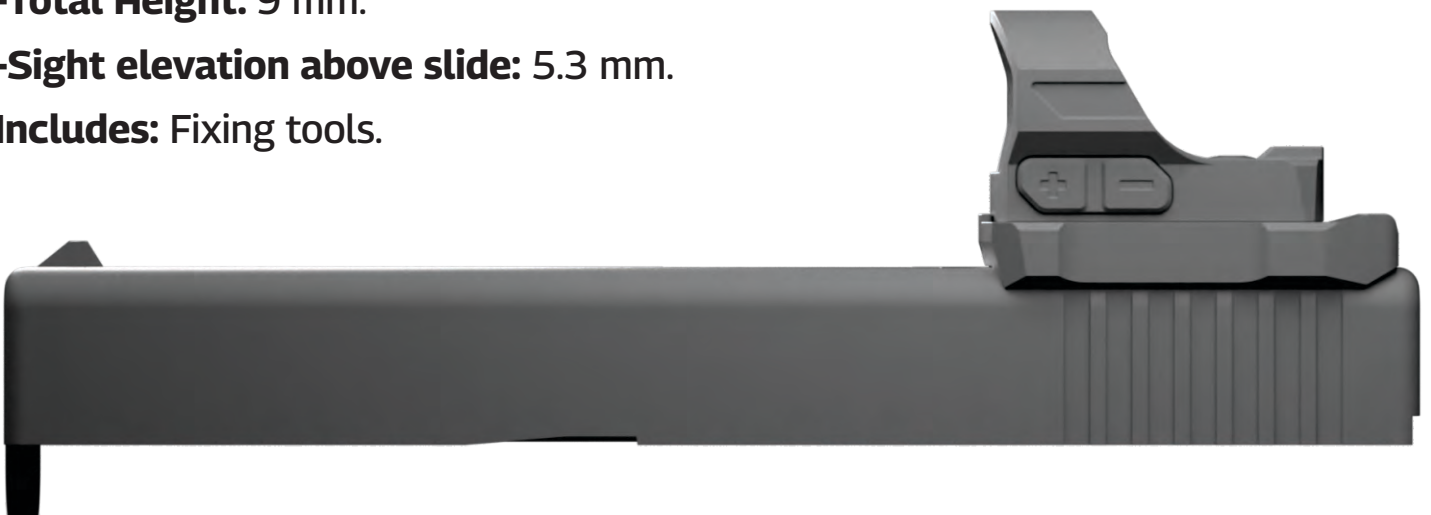
-Width: 30 mm.

-Length: 51 mm.

-Total Height: 9 mm.

-Sight elevation above slide: 5.3 mm.

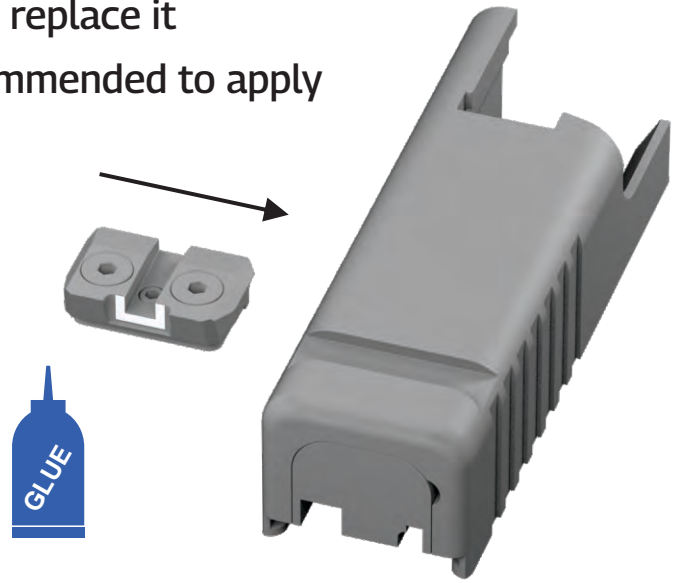
Includes: Fixing tools.





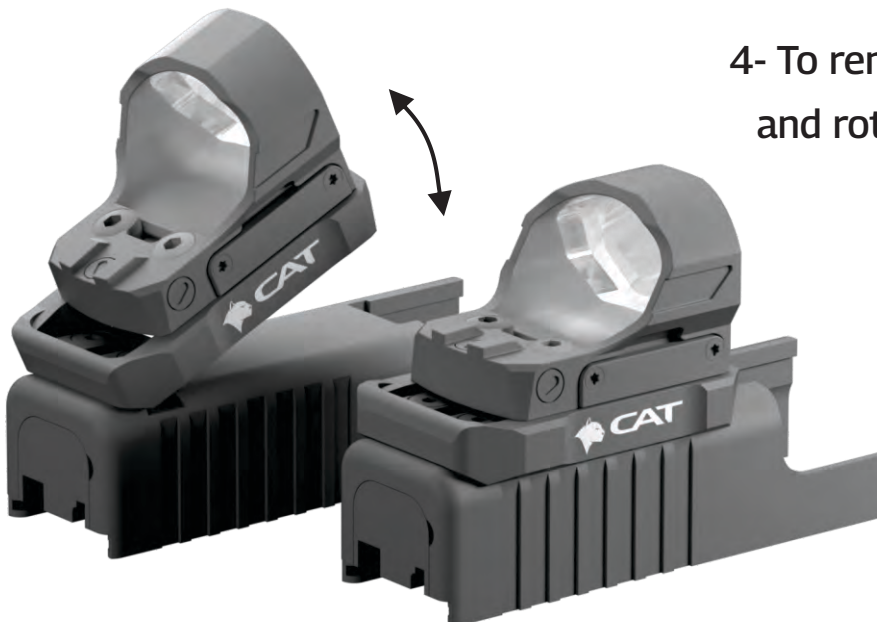
Installation Steps:

1- First, remove the original rear sight and replace it with the one provided in the set (it is recommended to apply thread adhesive to the screws).



2- In parallel, the sight can be installed on the magnetic mount. Caution must be taken with the magnet as it is very powerful.

3- To attach the assembly, insert the rear sight into the mount and rotate it downward until the mount adheres to the pistol slide.



4- To remove the assembly, grab it and rotate it upward, opposite to the installation process.