



QUBI 2

MAIN CHARACTERISTICS

Applications	Urban lighting.
Optic	SL05 / SL07: Asymmetrical optic for street, urban and green areas lighting. SLE-M / SLE-S: Asymmetrical optic for suburban street lighting. SLU-M / SLU-S: Asymmetrical optic for street, urban and cycle-path lighting. SLS: Symmetrical optic for street, urban and green areas lighting. Colour temperature: 4000K, 3000K, 2700K, 2200K (others in option) CRI ≥70 Photobiological safety class: EXEMPT GROUP. LED source efficiency: 174 lm/W @ 400mA, Tj=85°C, 4000K
Insulation class	II, I
Protection degree	IP66/IP67 IK09
Dimensions	See the drawing
Weight	max 5kg excluding mounting accessories
Exposed surface	Side: 0.033m ² – Top: 0.061m ²
Mounting	AM-S: Universal surface mounting. Upper attack. AM-P: Universal surface mounting. Rear attachment. APL: Compact wall mount. AC-S: Collar fixing on pole Ø102-127. Upper attack. AC-P: Collar fixing on pole Ø102-127. Rear attachment. AP-B: Arm fixing Ø60. AP-TP: Fixing Post-Top Ø76-102-127.
Tilt Angle	AM-S: -5° / +150° AM-P: -85° / +90° APL: -5° / +5° AC-S: -5° / +150° AC-P: -85° / +90° AP-B: 0° AP-TP: 0°
LED Modules	Removable / Replaceable
Gear tray	Removable / Replaceable
Operating temp.	-40°C / +50°C
Storage temperature	-40°C / +80°C
Main reference standards	EN 60598-1, EN 60598-2-5, EN 62471, EN 55015, EN 61547, EN 61000-3-2, EN 61000-3-3



ELECTRICAL CHARACTERISTICS

Rated voltage	220÷240V 50/60Hz (Standard tolerance ±10%. Other voltages and tolerances on request)
Power factor	>0.9 (at full load)
Mains connection	Cable 2-3-4 poles H07RN-F nx1mm ² L=1m Cable 5 poles 05RN-F nx1mm ² L=1m Optional: connector M/F IP66/68 for cables max. 1,5mm ² , Ø max. 13mm
Surge protection	Up to 12kV With SPD: CL.II: 10kV / 10kV CM/DM CL.I: 12kV / 10kV CM/DM. Without SPD: CL.II: 10kV / 6kV CM/DM CL.I: 10kV / 6kV CM/DM.
SPD (optional)	12kV-10kA, type 2+3, with LED signal and thermo fuse to disconnect load at the end of life.
Control system (options)	ON-OFF: Fixed power not dimmable. DA: Automatic dimming (virtual midnight) with default profile. DAC: Custom DA profile. FLC: Constant light flux. DALI: Digital dimming interface DALI. ZHAGA(S): Socket 4 pin (ZHAGA Book 18)
Optical unit lifetime (Tq=25°C)	>100.000hr L90B10 >100.000hr L90, TM-21

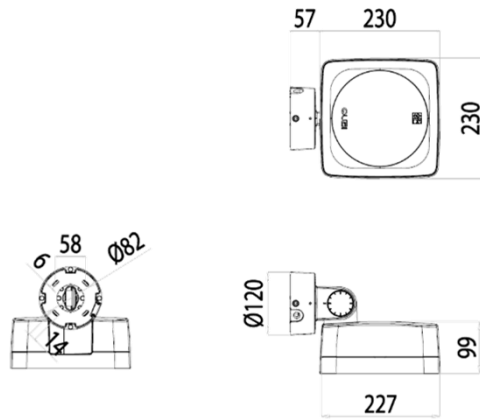


MATERIALS	
Fixing	AM-S: Die-cast aluminium UNI EN1706. Powder-coated. AM-P: Die-cast aluminium UNI EN1706. Powder-coated. APL: Die-cast aluminium UNI EN1706. Powder-coated with steel bracket AC-S: Die-cast aluminium UNI EN1706. Powder-coated. AC-P: Die-cast aluminium UNI EN1706. Powder-coated. AP-B: Steel S235JR. Powder coated. AP-TP: Die-cast aluminium UNI EN1706. Powder-coated.
Body	Die-cast aluminium UNI EN1706. Powder-coated.
Optic	PMMA
Screen	Flat tempered glass, 5mm thick, high transparency.
Cable gland	Metallic - IP68
Gasket	Moulded silicone
Body colour	Standard: Graphite - Code 01 Optional: see "Optional Colours" below. (other colours on request)

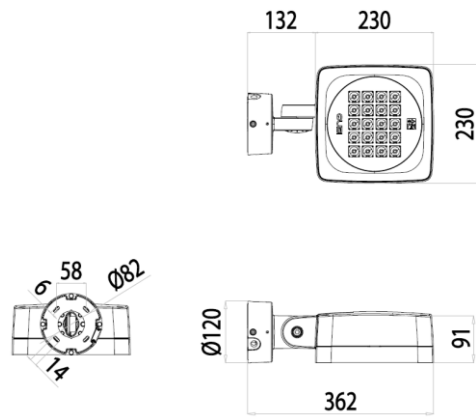
MOUNTING ACCESSORIES (OPTIONAL)
Metal stake Fundraiser Kit Band for fixing on shafts Note: See the accessories tab for more information

DIMENSIONAL DRAWINGS

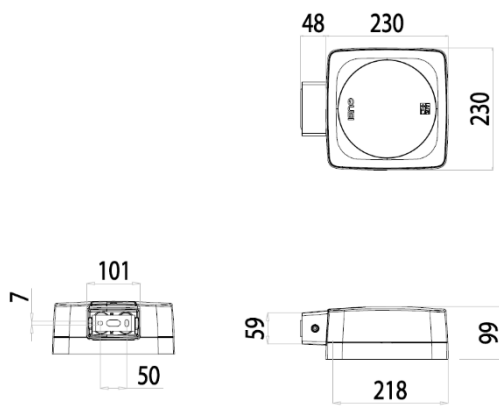
AM-S



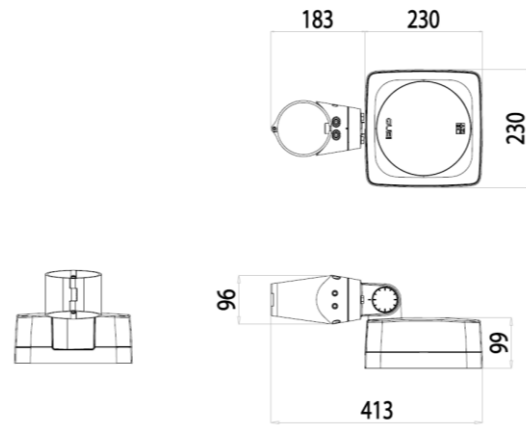
AM-P



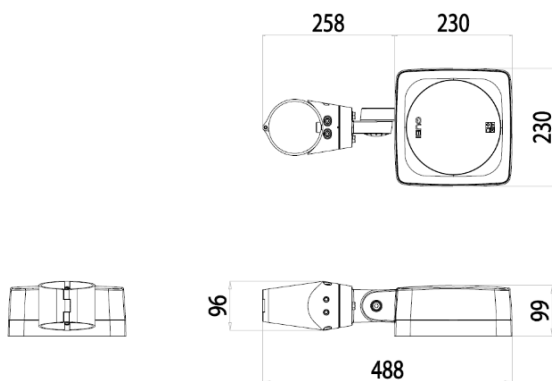
APL



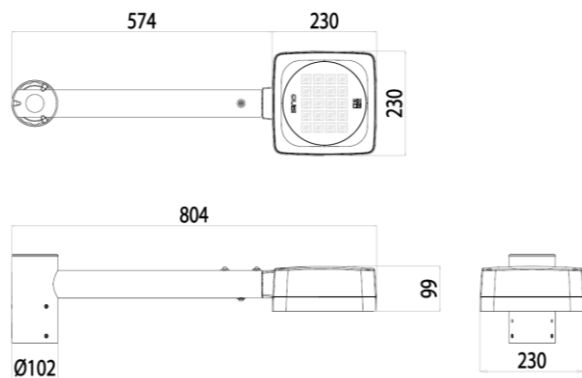
AC-S



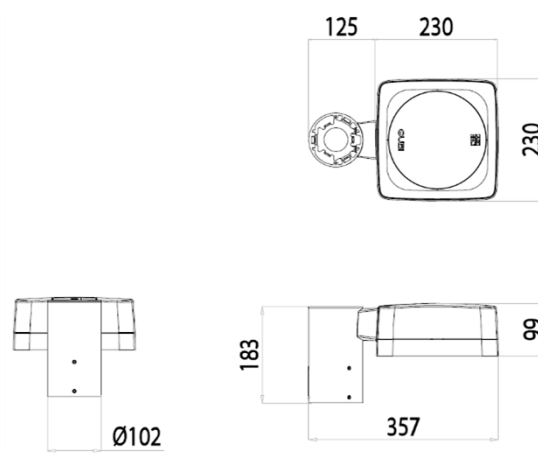
AC-P



AP-B



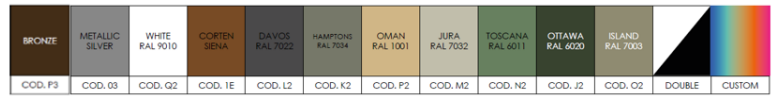
AP-TP



Standard Colour



Optional Colours



QUBI 2 2AC4 4000K

LUMINAIRE	OPTIC	RATED LUMINAIRE FLUX* (4000K, lm)	RATED LUMINAIRE POWER* (W)	LUMINAIRE EFFICACY (lm/W)	RATED LED FLUX* (4000K, lm)	RATED LED POWER* (W)	Ta MAX (°C)
QUBI 2 2AC4 7040.100-4M	SLO5	1320	10,6	124,5	1735	8,3	50
QUBI 2 2AC4 7040.150-4M		1980	15,4	128,5	2535	12,7	50
QUBI 2 2AC4 7040.200-4M		2620	20,3	129,0	3322	17,2	50
QUBI 2 2AC4 7040.250-4M		3250	25,1	129,4	4097	21,8	50
QUBI 2 2AC4 7040.300-4M		3860	30	128,6	4861	26,4	50
QUBI 2 2AC4 7040.350-4M		4460	34,9	127,7	5612	31,1	50
QUBI 2 2AC4 7040.400-4M		5040	39,9	126,3	6351	35,8	50
QUBI 2 2AC4 7040.450-4M		5590	45,1	123,9	7078	40,7	35
QUBI 2 2AC4 7040.500-4M		6120	50,4	121,4	7792	45,5	35
QUBI 2 2AC4 7040.100-4M		1280	10,6	120,7	1735	8,3	50
QUBI 2 2AC4 7040.150-4M	1920	15,4	124,6	2535	12,7	50	
QUBI 2 2AC4 7040.200-4M	2550	20,3	125,6	3322	17,2	50	
QUBI 2 2AC4 7040.250-4M	3160	25,1	125,8	4097	21,8	50	
QUBI 2 2AC4 7040.300-4M	3760	30	125,3	4861	26,4	50	
QUBI 2 2AC4 7040.350-4M	4340	34,9	124,3	5612	31,1	50	
QUBI 2 2AC4 7040.400-4M	4900	39,9	122,8	6351	35,8	50	
QUBI 2 2AC4 7040.450-4M	5440	45,1	120,6	7078	40,7	35	
QUBI 2 2AC4 7040.500-4M	5950	50,4	118,0	7792	45,5	35	
QUBI 2 2AC4 7040.100-4M	1420	10,6	133,9	1735	8,3	50	
QUBI 2 2AC4 7040.150-4M	2130	15,4	138,3	2535	12,7	50	
QUBI 2 2AC4 7040.200-4M	2830	20,3	139,4	3322	17,2	50	
QUBI 2 2AC4 7040.250-4M	3510	25,1	139,8	4097	21,8	50	
QUBI 2 2AC4 7040.300-4M	4170	30	139,0	4861	26,4	50	
QUBI 2 2AC4 7040.350-4M	4820	34,9	138,1	5612	31,1	50	
QUBI 2 2AC4 7040.400-4M	5440	39,9	136,3	6351	35,8	50	
QUBI 2 2AC4 7040.450-4M	6040	45,1	133,9	7078	40,7	35	
QUBI 2 2AC4 7040.500-4M	6620	50,4	131,3	7792	45,5	35	
QUBI 2 2AC4 7040.100-4M	1340	10,6	126,4	1735	8,3	50	
QUBI 2 2AC4 7040.150-4M	2000	15,4	129,8	2535	12,7	50	
QUBI 2 2AC4 7040.200-4M	2650	20,3	130,5	3322	17,2	50	
QUBI 2 2AC4 7040.250-4M	3290	25,1	131,0	4097	21,8	50	
QUBI 2 2AC4 7040.300-4M	3910	30	130,3	4861	26,4	50	
QUBI 2 2AC4 7040.350-4M	4520	34,9	129,5	5612	31,1	50	
QUBI 2 2AC4 7040.400-4M	5110	39,9	128,0	6351	35,8	50	
QUBI 2 2AC4 7040.450-4M	5670	45,1	125,7	7078	40,7	35	
QUBI 2 2AC4 7040.500-4M	6200	50,4	123,0	7792	45,5	35	
QUBI 2 2AC4 7040.100-4M	1390	10,6	131,1	1735	8,3	50	
QUBI 2 2AC4 7040.150-4M	2080	15,4	135,0	2535	12,7	50	
QUBI 2 2AC4 7040.200-4M	2760	20,3	135,9	3322	17,2	50	
QUBI 2 2AC4 7040.250-4M	3420	25,1	136,2	4097	21,8	50	
QUBI 2 2AC4 7040.300-4M	4070	30	135,6	4861	26,4	50	
QUBI 2 2AC4 7040.350-4M	4700	34,9	134,6	5612	31,1	50	
QUBI 2 2AC4 7040.400-4M	5310	39,9	133,0	6351	35,8	50	
QUBI 2 2AC4 7040.450-4M	5890	45,1	130,5	7078	40,7	35	
QUBI 2 2AC4 7040.500-4M	6450	50,4	127,9	7792	45,5	35	
QUBI 2 2AC4 7040.100-4M	1300	10,6	122,6	1735	8,3	50	
QUBI 2 2AC4 7040.150-4M	1940	15,4	125,9	2535	12,7	50	
QUBI 2 2AC4 7040.200-4M	2580	20,3	127,0	3322	17,2	50	
QUBI 2 2AC4 7040.250-4M	3200	25,1	127,4	4097	21,8	50	
QUBI 2 2AC4 7040.300-4M	3810	30	127,0	4861	26,4	50	
QUBI 2 2AC4 7040.350-4M	4400	34,9	126,0	5612	31,1	50	
QUBI 2 2AC4 7040.400-4M	4970	39,9	124,5	6351	35,8	50	
QUBI 2 2AC4 7040.450-4M	5520	45,1	122,3	7078	40,7	35	
QUBI 2 2AC4 7040.500-4M	6040	50,4	119,8	7792	45,5	35	
QUBI 2 2AC4 7040.100-4M	1320	10,6	124,5	1735	8,3	50	
QUBI 2 2AC4 7040.150-4M	1980	15,4	128,5	2535	12,7	50	
QUBI 2 2AC4 7040.200-4M	2620	20,3	129,0	3322	17,2	50	
QUBI 2 2AC4 7040.250-4M	3250	25,1	129,4	4097	21,8	50	
QUBI 2 2AC4 7040.300-4M	3860	30	128,6	4861	26,4	50	
QUBI 2 2AC4 7040.350-4M	4460	34,9	127,7	5612	31,1	50	
QUBI 2 2AC4 7040.400-4M	5040	39,9	126,3	6351	35,8	50	
QUBI 2 2AC4 7040.450-4M	5590	45,1	123,9	7078	40,7	35	
QUBI 2 2AC4 7040.500-4M	6120	50,4	121,4	7792	45,5	35	

*RATED LUMINAIRE FLUX / RATED LUMINAIRE POWER: Rated data obtained in laboratory. Tq=25°C, Vin=230Vac, F/DA/DAC.

*RATED LED FLUX / RATED LED POWER: Rated data extrapolated from LED manufacturer datasheet. Tj=85°C.

Values indicated in this technical sheet are to be considered rated values. Flux tolerance: ±7%. Power tolerance: ±7%.

Power tolerance with ZHAGA version or power supply D4i/SR: ±10%.

The characteristics of the product listed above are subjected to change without notice.

QUBI 2 2AC4 3000K

LUMINAIRE	OPTIC	RATED LUMINAIRE FLUX* (3000K, lm)	RATED LUMINAIRE POWER* (W)	LUMINAIRE EFFICACY (lm/W)	RATED LED FLUX* (3000K, lm)	RATED LED POWER* (W)	Ta MAX (°C)
QUBI 2 2AC4 7030.100-4M	SLO5	1250	10,6	117,9	1666	8,3	50
QUBI 2 2AC4 7030.150-4M		1880	15,4	122,0	2433	12,7	50
QUBI 2 2AC4 7030.200-4M		2490	20,3	122,6	3189	17,2	50
QUBI 2 2AC4 7030.250-4M		3090	25,1	123,1	3934	21,8	50
QUBI 2 2AC4 7030.300-4M		3670	30	122,3	4666	26,4	50
QUBI 2 2AC4 7030.350-4M		4240	34,9	121,4	5387	31,1	50
QUBI 2 2AC4 7030.400-4M		4780	39,9	119,7	6097	35,8	50
QUBI 2 2AC4 7030.450-4M		5310	45,1	117,7	6794	40,7	35
QUBI 2 2AC4 7030.500-4M		5810	50,4	115,2	7481	45,5	35
QUBI 2 2AC4 7030.100-4M		1220	10,6	115,0	1666	8,3	50
QUBI 2 2AC4 7030.150-4M	1820	15,4	118,1	2433	12,7	50	
QUBI 2 2AC4 7030.200-4M	2420	20,3	119,2	3189	17,2	50	
QUBI 2 2AC4 7030.250-4M	3000	25,1	119,5	3934	21,8	50	
QUBI 2 2AC4 7030.300-4M	3570	30	119,0	4666	26,4	50	
QUBI 2 2AC4 7030.350-4M	4120	34,9	118,0	5387	31,1	50	
QUBI 2 2AC4 7030.400-4M	4660	39,9	116,7	6097	35,8	50	
QUBI 2 2AC4 7030.450-4M	5170	45,1	114,6	6794	40,7	35	
QUBI 2 2AC4 7030.500-4M	5650	50,4	112,1	7481	45,5	35	
QUBI 2 2AC4 7030.100-4M	1350	10,6	127,3	1666	8,3	50	
QUBI 2 2AC4 7030.150-4M	2020	15,4	131,1	2433	12,7	50	
QUBI 2 2AC4 7030.200-4M	2690	20,3	132,5	3189	17,2	50	
QUBI 2 2AC4 7030.250-4M	3330	25,1	132,6	3934	21,8	50	
QUBI 2 2AC4 7030.300-4M	3970	30	132,3	4666	26,4	50	
QUBI 2 2AC4 7030.350-4M	4580	34,9	131,2	5387	31,1	50	
QUBI 2 2AC4 7030.400-4M	5170	39,9	129,5	6097	35,8	50	
QUBI 2 2AC4 7030.450-4M	5740	45,1	127,2	6794	40,7	35	
QUBI 2 2AC4 7030.500-4M	6290	50,4	124,8	7481	45,5	35	
QUBI 2 2AC4 7030.100-4M	1270	10,6	119,8	1666	8,3	50	
QUBI 2 2AC4 7030.150-4M	1900	15,4	123,3	2433	12,7	50	
QUBI 2 2AC4 7030.200-4M	2520	20,3	124,1	3189	17,2	50	
QUBI 2 2AC4 7030.250-4M	3130	25,1	124,7	3934	21,8	50	
QUBI 2 2AC4 7030.300-4M	3720	30	124,0	4666	26,4	50	
QUBI 2 2AC4 7030.350-4M	4290	34,9	122,9	5387	31,1	50	
QUBI 2 2AC4 7030.400-4M	4850	39,9	121,5	6097	35,8	50	
QUBI 2 2AC4 7030.450-4M	5380	45,1	119,2	6794	40,7	35	
QUBI 2 2AC4 7030.500-4M	5890	50,4	116,8	7481	45,5	35	
QUBI 2 2AC4 7030.100-4M	1320	10,6	124,5	1666	8,3	50	
QUBI 2 2AC4 7030.150-4M	1970	15,4	127,9	2433	12,7	50	
QUBI 2 2AC4 7030.200-4M	2620	20,3	129,0	3189	17,2	50	
QUBI 2 2AC4 7030.250-4M	3250	25,1	129,4	3934	21,8	50	
QUBI 2 2AC4 7030.300-4M	3870	30	129,0	4666	26,4	50	
QUBI 2 2AC4 7030.350-4M	4470	34,9	128,0	5387	31,1	50	
QUBI 2 2AC4 7030.400-4M	5040	39,9	126,3	6097	35,8	50	
QUBI 2 2AC4 7030.450-4M	5600	45,1	124,1	6794	40,7	35	
QUBI 2 2AC4 7030.500-4M	6130	50,4	121,6	7481	45,5	35	
QUBI 2 2AC4 7030.100-4M	1240	10,6	116,9	1666	8,3	50	
QUBI 2 2AC4 7030.150-4M	1850	15,4	120,1	2433	12,7	50	
QUBI 2 2AC4 7030.200-4M	2450	20,3	120,6	3189	17,2	50	
QUBI 2 2AC4 7030.250-4M	3040	25,1	121,1	3934	21,8	50	
QUBI 2 2AC4 7030.300-4M	3620	30	120,6	4666	26,4	50	
QUBI 2 2AC4 7030.350-4M	4180	34,9	119,7	5387	31,1	50	
QUBI 2 2AC4 7030.400-4M	4720	39,9	118,2	6097	35,8	50	
QUBI 2 2AC4 7030.450-4M	5240	45,1	116,1	6794	40,7	35	
QUBI 2 2AC4 7030.500-4M	5740	50,4	113,8	7481	45,5	35	
QUBI 2 2AC4 7030.100-4M	1250	10,6	117,9	1666	8,3	50	
QUBI 2 2AC4 7030.150-4M	1880	15,4	122,0	2433	12,7	50	
QUBI 2 2AC4 7030.200-4M	2490	20,3	122,6	3189	17,2	50	
QUBI 2 2AC4 7030.250-4M	3090	25,1	123,1	3934	21,8	50	
QUBI 2 2AC4 7030.300-4M	3670	30	122,3	4666	26,4	50	
QUBI 2 2AC4 7030.350-4M	4240	34,9	121,4	5387	31,1	50	
QUBI 2 2AC4 7030.400-4M	4780	39,9	119,7	6097	35,8	50	
QUBI 2 2AC4 7030.450-4M	5310	45,1	117,7	6794	40,7	35	
QUBI 2 2AC4 7030.500-4M	5810	50,4	115,2	7481	45,5	35	

*RATED LUMINAIRE FLUX / RATED LUMINAIRE POWER: Rated data obtained in laboratory. Tq=25°C, Vin=230Vac, F/DA/DAC.

*RATED LED FLUX / RATED LED POWER: Rated data extrapolated from LED manufacturer datasheet. Tj=85°C.

Values indicated in this technical sheet are to be considered rated values. Flux tolerance: ±7%. Power tolerance: ±7%.

Power tolerance with ZHAGA version or power supply D4i/SR: ±10%.

The characteristics of the product listed above are subjected to change without notice.

QUBI 2 2AC4 2700K

LUMINAIRE	OPTIC	RATED LUMINAIRE FLUX* (2700K, lm)	RATED LUMINAIRE POWER* (W)	LUMINAIRE EFFICACY (lm/W)	RATED LED FLUX* (2700K, lm)	RATED LED POWER* (W)	Ta MAX (°C)
QUBI 2 2AC4 7027.100-4M	SLO5	1210	10,6	114,1	1614	8,3	50
QUBI 2 2AC4 7027.150-4M		1820	15,4	118,1	2357	12,7	50
QUBI 2 2AC4 7027.200-4M		2410	20,3	118,7	3090	17,2	50
QUBI 2 2AC4 7027.250-4M		2990	25,1	119,1	3811	21,8	50
QUBI 2 2AC4 7027.300-4M		3550	30	118,3	4520	26,4	50
QUBI 2 2AC4 7027.350-4M		4100	34,9	117,4	5219	31,1	50
QUBI 2 2AC4 7027.400-4M		4630	39,9	116,0	5906	35,8	50
QUBI 2 2AC4 7027.450-4M		5140	45,1	113,9	6582	40,7	35
QUBI 2 2AC4 7027.500-4M		5630	50,4	111,7	7247	45,5	35
QUBI 2 2AC4 7027.100-4M		1180	10,6	111,3	1614	8,3	50
QUBI 2 2AC4 7027.150-4M	1760	15,4	114,2	2357	12,7	50	
QUBI 2 2AC4 7027.200-4M	2340	20,3	115,2	3090	17,2	50	
QUBI 2 2AC4 7027.250-4M	2910	25,1	115,9	3811	21,8	50	
QUBI 2 2AC4 7027.300-4M	3460	30	115,3	4520	26,4	50	
QUBI 2 2AC4 7027.350-4M	3990	34,9	114,3	5219	31,1	50	
QUBI 2 2AC4 7027.400-4M	4510	39,9	113,0	5906	35,8	50	
QUBI 2 2AC4 7027.450-4M	5000	45,1	110,8	6582	40,7	35	
QUBI 2 2AC4 7027.500-4M	5470	50,4	108,5	7247	45,5	35	
QUBI 2 2AC4 7027.100-4M	1310	10,6	123,5	1614	8,3	50	
QUBI 2 2AC4 7027.150-4M	1960	15,4	127,2	2357	12,7	50	
QUBI 2 2AC4 7027.200-4M	2600	20,3	128,0	3090	17,2	50	
QUBI 2 2AC4 7027.250-4M	3230	25,1	128,6	3811	21,8	50	
QUBI 2 2AC4 7027.300-4M	3840	30	128,0	4520	26,4	50	
QUBI 2 2AC4 7027.350-4M	4430	34,9	126,9	5219	31,1	50	
QUBI 2 2AC4 7027.400-4M	5010	39,9	125,5	5906	35,8	50	
QUBI 2 2AC4 7027.450-4M	5560	45,1	123,2	6582	40,7	35	
QUBI 2 2AC4 7027.500-4M	6090	50,4	120,8	7247	45,5	35	
QUBI 2 2AC4 7027.100-4M	1230	10,6	116,0	1614	8,3	50	
QUBI 2 2AC4 7027.150-4M	1840	15,4	119,4	2357	12,7	50	
QUBI 2 2AC4 7027.200-4M	2440	20,3	120,1	3090	17,2	50	
QUBI 2 2AC4 7027.250-4M	3030	25,1	120,7	3811	21,8	50	
QUBI 2 2AC4 7027.300-4M	3600	30	120,0	4520	26,4	50	
QUBI 2 2AC4 7027.350-4M	4160	34,9	119,1	5219	31,1	50	
QUBI 2 2AC4 7027.400-4M	4700	39,9	117,7	5906	35,8	50	
QUBI 2 2AC4 7027.450-4M	5210	45,1	115,5	6582	40,7	35	
QUBI 2 2AC4 7027.500-4M	5700	50,4	113,0	7247	45,5	35	
QUBI 2 2AC4 7027.100-4M	1280	10,6	120,7	1614	8,3	50	
QUBI 2 2AC4 7027.150-4M	1910	15,4	124,0	2357	12,7	50	
QUBI 2 2AC4 7027.200-4M	2530	20,3	124,6	3090	17,2	50	
QUBI 2 2AC4 7027.250-4M	3150	25,1	125,4	3811	21,8	50	
QUBI 2 2AC4 7027.300-4M	3740	30	124,6	4520	26,4	50	
QUBI 2 2AC4 7027.350-4M	4320	34,9	123,7	5219	31,1	50	
QUBI 2 2AC4 7027.400-4M	4880	39,9	122,3	5906	35,8	50	
QUBI 2 2AC4 7027.450-4M	5420	45,1	120,1	6582	40,7	35	
QUBI 2 2AC4 7027.500-4M	5930	50,4	117,6	7247	45,5	35	
QUBI 2 2AC4 7027.100-4M	1200	10,6	113,2	1614	8,3	50	
QUBI 2 2AC4 7027.150-4M	1790	15,4	116,2	2357	12,7	50	
QUBI 2 2AC4 7027.200-4M	2370	20,3	116,7	3090	17,2	50	
QUBI 2 2AC4 7027.250-4M	2940	25,1	117,1	3811	21,8	50	
QUBI 2 2AC4 7027.300-4M	3500	30	116,6	4520	26,4	50	
QUBI 2 2AC4 7027.350-4M	4050	34,9	116,0	5219	31,1	50	
QUBI 2 2AC4 7027.400-4M	4570	39,9	114,5	5906	35,8	50	
QUBI 2 2AC4 7027.450-4M	5080	45,1	112,6	6582	40,7	35	
QUBI 2 2AC4 7027.500-4M	5560	50,4	110,3	7247	45,5	35	
QUBI 2 2AC4 7027.100-4M	1210	10,6	114,1	1614	8,3	50	
QUBI 2 2AC4 7027.150-4M	1820	15,4	118,1	2357	12,7	50	
QUBI 2 2AC4 7027.200-4M	2410	20,3	118,7	3090	17,2	50	
QUBI 2 2AC4 7027.250-4M	2990	25,1	119,1	3811	21,8	50	
QUBI 2 2AC4 7027.300-4M	3550	30	118,3	4520	26,4	50	
QUBI 2 2AC4 7027.350-4M	4100	34,9	117,4	5219	31,1	50	
QUBI 2 2AC4 7027.400-4M	4630	39,9	116,0	5906	35,8	50	
QUBI 2 2AC4 7027.450-4M	5140	45,1	113,9	6582	40,7	35	
QUBI 2 2AC4 7027.500-4M	5630	50,4	111,7	7247	45,5	35	

*RATED LUMINAIRE FLUX / RATED LUMINAIRE POWER: Rated data obtained in laboratory. Tq=25°C, Vin=230Vac, F/DA/DAC.

*RATED LED FLUX / RATED LED POWER: Rated data extrapolated from LED manufacturer datasheet. Tj=85°C.

Values indicated in this technical sheet are to be considered rated values. Flux tolerance: ±7%. Power tolerance: ±7%.

Power tolerance with ZHAGA version or power supply D4i/SR: ±10%.

The characteristics of the product listed above are subjected to change without notice.

QUBI 2 2AC4 2200K

LUMINAIRE	OPTIC	RATED LUMINAIRE FLUX* (2200K, lm)	RATED LUMINAIRE POWER* (W)	LUMINAIRE EFFICACY (lm/W)	RATED LED FLUX* (2200K, lm)	RATED LED POWER* (W)	Ta MAX (°C)
QUBI 2 2AC4 7022.100-4M	SLO5	1110	10,6	104,7	1458	8,3	50
QUBI 2 2AC4 7022.150-4M		1660	15,4	107,7	2129	12,7	50
QUBI 2 2AC4 7022.200-4M		2200	20,3	108,3	2791	17,2	50
QUBI 2 2AC4 7022.250-4M		2730	25,1	108,7	3442	21,8	50
QUBI 2 2AC4 7022.300-4M		3250	30	108,3	4083	26,4	50
QUBI 2 2AC4 7022.350-4M		3750	34,9	107,4	4714	31,1	50
QUBI 2 2AC4 7022.400-4M		4230	39,9	106,0	5335	35,8	50
QUBI 2 2AC4 7022.450-4M		4700	45,1	104,2	5945	40,7	35
QUBI 2 2AC4 7022.500-4M		5140	50,4	101,9	6545	45,5	35
QUBI 2 2AC4 7022.100-4M		1080	10,6	101,8	1458	8,3	50
QUBI 2 2AC4 7022.150-4M	1610	15,4	104,5	2129	12,7	50	
QUBI 2 2AC4 7022.200-4M	2140	20,3	105,4	2791	17,2	50	
QUBI 2 2AC4 7022.250-4M	2650	25,1	105,5	3442	21,8	50	
QUBI 2 2AC4 7022.300-4M	3160	30	105,3	4083	26,4	50	
QUBI 2 2AC4 7022.350-4M	3650	34,9	104,5	4714	31,1	50	
QUBI 2 2AC4 7022.400-4M	4120	39,9	103,2	5335	35,8	50	
QUBI 2 2AC4 7022.450-4M	4570	45,1	101,3	5945	40,7	35	
QUBI 2 2AC4 7022.500-4M	5000	50,4	99,2	6545	45,5	35	
QUBI 2 2AC4 7022.100-4M	1190	10,6	112,2	1458	8,3	50	
QUBI 2 2AC4 7022.150-4M	1790	15,4	116,2	2129	12,7	50	
QUBI 2 2AC4 7022.200-4M	2380	20,3	117,2	2791	17,2	50	
QUBI 2 2AC4 7022.250-4M	2950	25,1	117,5	3442	21,8	50	
QUBI 2 2AC4 7022.300-4M	3510	30	117,0	4083	26,4	50	
QUBI 2 2AC4 7022.350-4M	4050	34,9	116,0	4714	31,1	50	
QUBI 2 2AC4 7022.400-4M	4570	39,9	114,5	5335	35,8	50	
QUBI 2 2AC4 7022.450-4M	5080	45,1	112,6	5945	40,7	35	
QUBI 2 2AC4 7022.500-4M	5560	50,4	110,3	6545	45,5	35	
QUBI 2 2AC4 7022.100-4M	1130	10,6	106,6	1458	8,3	50	
QUBI 2 2AC4 7022.150-4M	1680	15,4	109,0	2129	12,7	50	
QUBI 2 2AC4 7022.200-4M	2230	20,3	109,8	2791	17,2	50	
QUBI 2 2AC4 7022.250-4M	2760	25,1	109,9	3442	21,8	50	
QUBI 2 2AC4 7022.300-4M	3290	30	109,6	4083	26,4	50	
QUBI 2 2AC4 7022.350-4M	3800	34,9	108,8	4714	31,1	50	
QUBI 2 2AC4 7022.400-4M	4290	39,9	107,5	5335	35,8	50	
QUBI 2 2AC4 7022.450-4M	4760	45,1	105,5	5945	40,7	35	
QUBI 2 2AC4 7022.500-4M	5210	50,4	103,3	6545	45,5	35	
QUBI 2 2AC4 7022.100-4M	1170	10,6	110,3	1458	8,3	50	
QUBI 2 2AC4 7022.150-4M	1740	15,4	112,9	2129	12,7	50	
QUBI 2 2AC4 7022.200-4M	2310	20,3	113,7	2791	17,2	50	
QUBI 2 2AC4 7022.250-4M	2870	25,1	114,3	3442	21,8	50	
QUBI 2 2AC4 7022.300-4M	3420	30	114,0	4083	26,4	50	
QUBI 2 2AC4 7022.350-4M	3950	34,9	113,1	4714	31,1	50	
QUBI 2 2AC4 7022.400-4M	4460	39,9	111,7	5335	35,8	50	
QUBI 2 2AC4 7022.450-4M	4950	45,1	109,7	5945	40,7	35	
QUBI 2 2AC4 7022.500-4M	5420	50,4	107,5	6545	45,5	35	
QUBI 2 2AC4 7022.100-4M	1090	10,6	102,8	1458	8,3	50	
QUBI 2 2AC4 7022.150-4M	1630	15,4	105,8	2129	12,7	50	
QUBI 2 2AC4 7022.200-4M	2160	20,3	106,4	2791	17,2	50	
QUBI 2 2AC4 7022.250-4M	2690	25,1	107,1	3442	21,8	50	
QUBI 2 2AC4 7022.300-4M	3200	30	106,6	4083	26,4	50	
QUBI 2 2AC4 7022.350-4M	3700	34,9	106,0	4714	31,1	50	
QUBI 2 2AC4 7022.400-4M	4180	39,9	104,7	5335	35,8	50	
QUBI 2 2AC4 7022.450-4M	4640	45,1	102,8	5945	40,7	35	
QUBI 2 2AC4 7022.500-4M	5070	50,4	100,5	6545	45,5	35	
QUBI 2 2AC4 7022.100-4M	1110	10,6	104,7	1458	8,3	50	
QUBI 2 2AC4 7022.150-4M	1660	15,4	107,7	2129	12,7	50	
QUBI 2 2AC4 7022.200-4M	2200	20,3	108,3	2791	17,2	50	
QUBI 2 2AC4 7022.250-4M	2730	25,1	108,7	3442	21,8	50	
QUBI 2 2AC4 7022.300-4M	3250	30	108,3	4083	26,4	50	
QUBI 2 2AC4 7022.350-4M	3750	34,9	107,4	4714	31,1	50	
QUBI 2 2AC4 7022.400-4M	4230	39,9	106,0	5335	35,8	50	
QUBI 2 2AC4 7022.450-4M	4700	45,1	104,2	5945	40,7	35	
QUBI 2 2AC4 7022.500-4M	5140	50,4	101,9	6545	45,5	35	

*RATED LUMINAIRE FLUX / RATED LUMINAIRE POWER: Rated data obtained in laboratory. Tq=25°C, Vin=230Vac, F/DA/DAC.

*RATED LED FLUX / RATED LED POWER: Rated data extrapolated from LED manufacturer datasheet. Tj=85°C.

Values indicated in this technical sheet are to be considered rated values. Flux tolerance: ±7%. Power tolerance: ±7%.

Power tolerance with ZHAGA version or power supply D4i/SR: ±10%.

The characteristics of the product listed above are subjected to change without notice.