



QUBI 3

MAIN CHARACTERISTICS

Applications	Urban and architectural lighting.
Optic	<p>Architectural lighting optics: SP-RS12: Real spot optic. SP-S15: Spot optic. SP-M30: Medium spot optic. SP-W50: Wide spot optics SP-WW75: Very wide spot optics AS5-15-15: Optics for grazing lighting. AS5-15-60: Optics for grazing lighting. EL-15-40: Elliptic optic. EL-15-60: Elliptic optic. EL-15-135: Elliptic optic. EL-30-130: Elliptic optic.</p> <p>Optics for urban lighting: SL05 / SL07: Asymmetrical optic for street, urban and green areas lighting. SLE-M / SLE-S: Asymmetrical optic for suburban street lighting. SLU-M / SLU-S: Asymmetrical optic for street, urban and cycle-path lighting. SLS: Symmetrical optic for street, urban and green areas lighting. Colour temperature: 4000K, 3000K, 2700K, 2200K (others in option) CRI ≥80</p>
Insulation class	II, I
Protection degree	IP66/IP67 IK09
Dimensions	See the drawing
Weight	max 8kg excluding mounting accessories
Exposed surface	Side: 0.043m ² – Top: 0.096m ²
Mounting	AM-S: Universal surface mounting. Upper attack. AM-P: Universal surface mounting. Rear attachment. APL: Compact wall mount. AP-S: Pole fixing Ø102-127. Upper attack. AP-P: Pole fixing Ø102-127. Rear attachment. AP-B: Arm fixing Ø60. AP-TP: Fixing Post-Top Ø76-102-127.
Tilt Angle	AM-S: -5° / +150° AM-P: -85° / +90° APL: -5° / +5° AC-S: -5° / +150° AC-P: -85° / +90° AP-B: 0° AP-TP: 0°
LED Modules	Removable / Replaceable
Gear tray	Removable / Replaceable
Operating temp.	-20°C / +50°C
Storage temperature	-40°C / +80°C
Main reference standards	EN 60598-1, EN 60598-2-5, EN 62471, EN 55015, EN 61547, EN 61000-3-2, EN 61000-3-3



ELECTRICAL CHARACTERISTICS

Rated voltage	220÷240V 50/60Hz (Standard tolerance ±10%. Other voltages and tolerances on request)
Power factor	>0.9 (at full load)
Mains connection	Cable H07RN-F nx1.5mm ² Optional: connector M/F IP66/68 for cables max. 1.5mm ² , Ø max. 13mm
Surge protection	Up to 12kV With SPD: CL.II: 10kV / 10kV CM/DM CL.I: 12kV / 10kV CM/DM. Without SPD: CL.II: 10kV / 6kV CM/DM CL.I: 10kV / 6kV CM/DM.
SPD (optional)	12kV-10kA, type 2+3, with LED signal and thermo fuse to disconnect load at the end of life.



Control system (options)	ON-OFF: Fixed power not dimmable. DA: Automatic dimming (virtual midnight) with default profile. DAC: Custom DA profile. FLC: Constant light flux. DALI: Digital dimming interface DALI. ZHAGA(S): Socket 4 pin (ZHAGA Book 18)
Optical unit lifetime (Tq=25°C)	>100.000hr L90B10 >100.000hr L90, TM-21
MATERIALS	
Fixing	AM-S: Die-cast aluminium UNI EN1706. Powder-coated. AM-P: Die-cast aluminium UNI EN1706. Powder-coated. APL: Die-cast aluminium UNI EN1706. Powder-coated with steel bracket AC-S: Die-cast aluminium UNI EN1706. Powder-coated. AC-P: Die-cast aluminium UNI EN1706. Powder-coated. AP-B: Steel S235JR. Powder coated. AP-TP: Die-cast aluminium UNI EN1706. Powder-coated.
Body	Die-cast aluminium UNI EN1706. Powder-coated.
Optic	PMMA
Screen	Flat tempered glass, 5mm thick, high transparency.
Cable gland	Metallic - IP68
Gasket	Moulded silicone
Body colour	Standard: Graphite - Code 01 or Bronze – Cod:P3 Optional: see "Optional Colours" below. (other colours on request)

OPTICAL ACCESSORIES (OPTIONAL)		
FV: Full Visor screen.	HV: Half Visor screen.	HYB: Internal Honeycomb screen.
<i>Consult the list of versions to check the availability of accessories depending on the selected optics</i>		

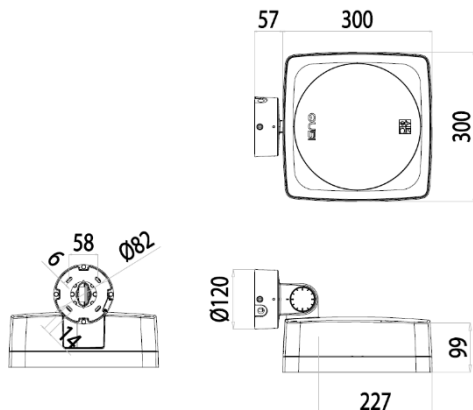
MOUNTING ACCESSORIES (OPTIONAL)
Metal stake Fundraiser Kit Band for fixing on shafts Note: See the accessories tab for more information

ADJUSTMENT OF ELLIPTICAL OPTICAL ORIENTATION

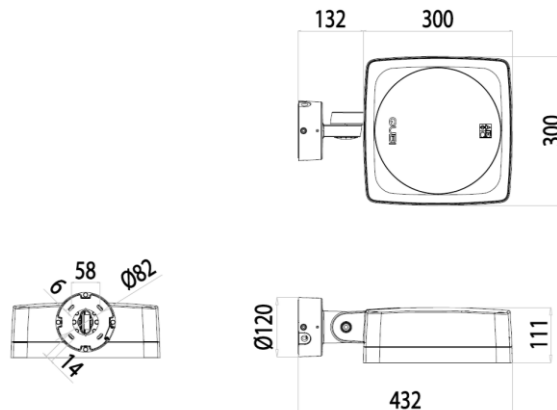


DIMENSIONAL DRAWINGS

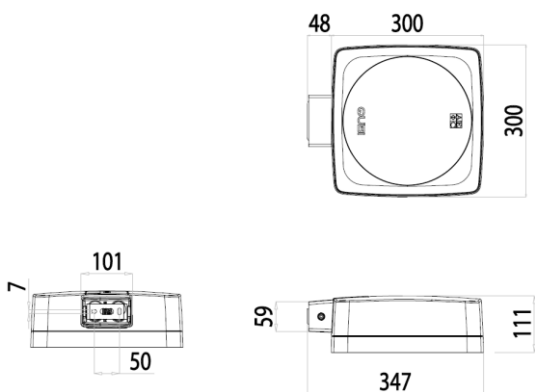
AM-S



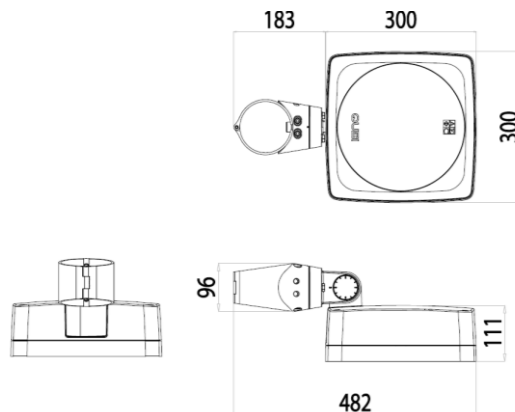
AM-P



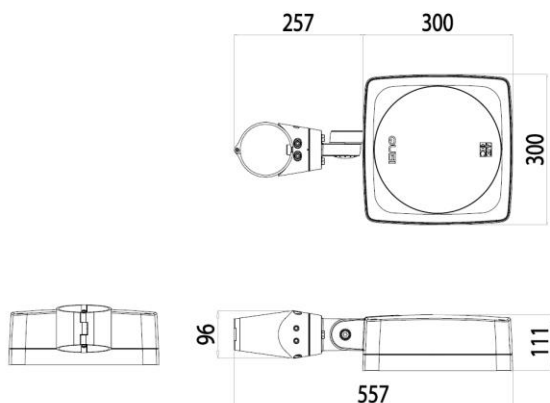
APL



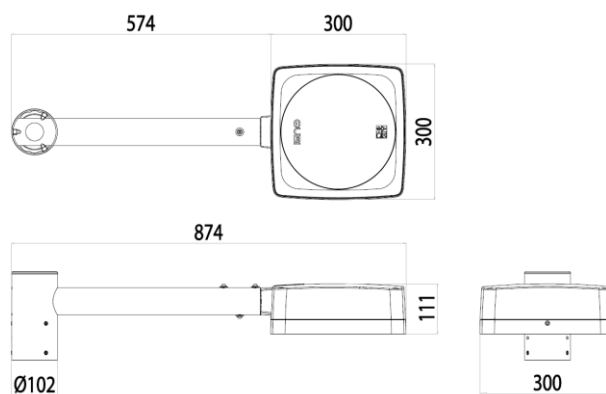
AC-S



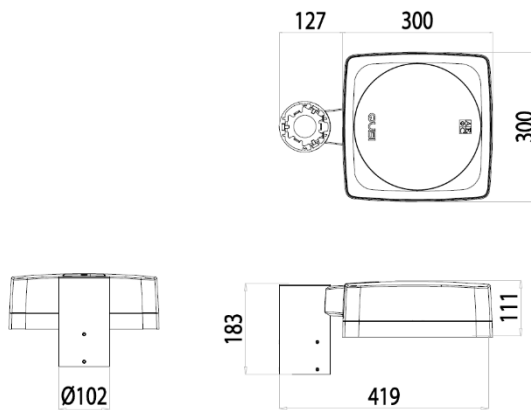
AC-P



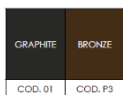
AP-B



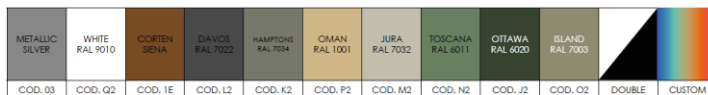
AP-TP



Standard Colour



Optional Colours



QUBI 3 3000K

LUMINAIRE	OPTIC	RATED LUMINAIRE FLUX*(3000K, lm)	RATED LUMINAIRE POWER*(W)	LUMINAIRE EFFICACY (lm/W)	Ta MAX (°C)
QUBI 3 0AL35 AS5-15-15 8030.350-1M		4010	41.2	97.3	50
QUBI 3 0AL35 AS5-15-15 8030.520-1M		5670	61.3	92.4	35
QUBI 3 0AL35 AS5-15-15 8030.350-1M HYB	AS5-15-15	2810	41.2	68.2	50
QUBI 3 0AL35 AS5-15-15 8030.520-1M HYB		3970	61.3	64.7	35
QUBI 3 0AL35 AS5-15-60 8030.350-1M		3400	41.2	82.5	50
QUBI 3 0AL35 AS5-15-60 8030.520-1M		4810	61.3	78.4	35
QUBI 3 0AL35 AS5-15-60 8030.350-1M HYB	AS5-15-60	1970	41.2	47.8	50
QUBI 3 0AL35 AS5-15-60 8030.520-1M HYB		2790	61.3	45.5	35
QUBI 3 0AL35 EL-15-40 8030.350-1M		3810	41.2	92.4	50
QUBI 3 0AL35 EL-15-40 8030.520-1M	EL-15-40	5390	61.3	87.9	35
QUBI 3 0AL35 EL-15-60 8030.350-1M		3810	41.2	92.4	50
QUBI 3 0AL35 EL-15-60 8030.520-1M	EL-15-60	5390	61.3	87.9	35
QUBI 3 0AL35 EL-15-135 8030.350-1M		3000	41.2	72.8	50
QUBI 3 0AL35 EL-15-135 8030.520-1M	EL-15-135	4240	61.3	69.1	35
QUBI 3 0AL35 EL-30-130 8030.350-1M		2690	41.2	65.2	50
QUBI 3 0AL35 EL-30-130 8030.520-1M	EL-30-130	3810	61.3	62.1	35
QUBI 3 0AL35 SP-RS12 8030.350-1M		3960	41.2	96.1	50
QUBI 3 0AL35 SP-RS12 8030.520-1M		5600	61.3	91.3	35
QUBI 3 0AL35 SP-RS12 8030.350-1M HYB	SP-RS12	2890	41.2	70.1	50
QUBI 3 0AL35 SP-RS12 8030.520-1M HYB		4090	61.3	66.7	35
QUBI 3 0AL35 SP-S15 8030.350-1M		3810	41.2	92.4	50
QUBI 3 0AL35 SP-S15 8030.520-1M		5390	61.3	87.9	35
QUBI 3 0AL35 SP-S15 8030.350-1M HYB	SP-S15	2710	41.2	65.7	50
QUBI 3 0AL35 SP-S15 8030.520-1M HYB		3830	61.3	62.4	35
QUBI 3 0AL35 SP-M30 8030.350-1M		3560	41.2	86.4	50
QUBI 3 0AL35 SP-M30 8030.520-1M		5030	61.3	82.0	35
QUBI 3 0AL35 SP-M30 8030.350-1M HYB	SP-M30	2170	41.2	52.6	50
QUBI 3 0AL35 SP-M30 8030.520-1M HYB		3070	61.3	50.0	35
QUBI 3 0AL35 SP-W50 8030.350-1M		3150	41.2	76.4	50
QUBI 3 0AL35 SP-W50 8030.520-1M		4450	61.3	72.5	35
QUBI 3 0AL35 SP-W50 8030.350-1M HYB	SP-W50	1510	41.2	36.6	50
QUBI 3 0AL35 SP-W50 8030.520-1M HYB		2140	61.3	34.9	35
QUBI 3 0AL35 SP-WW75 8030.350-1M		3000	41.2	72.8	50
QUBI 3 0AL35 SP-WW75 8030.520-1M	SP-WW75	4240	61.3	69.1	35

*RATED LUMINAIRE FLUX / RATED LUMINAIRE POWER: Rated data obtained in laboratory. Tq=25°C, Vin=230Vac, ON-OFF/DA/DAC.
 Values indicated in this technical sheet are to be considered rated values. Flux tolerance: ±10%. Power tolerance: ±10%.
 The characteristics of the product listed above are subjected to change without notice.