

# FILOBAR

## FILOBAR (600)

### MAIN CHARACTERISTICS

<b>Applications</b>	Architectural grazing lighting.
<b>Optic</b>	<p>SP-RS12: Real spot optic.            SP-S15: Spot optic.            SP-M30: Medium spot optic.            SP-W50: Wide spot optics            SP-WW75: Very wide spot optics            AS5-15-15: Optics for grazing lighting.            AS5-15-60: Optics for grazing lighting.            EL-15-40: Elliptic optic.            EL-40-15: Elliptic optic.            EL-15-60: Elliptic optic.            EL-15-135: Elliptic optic.            EL-30-130: Elliptic optic.            Colour temperature: 4000K, 3000K, 2700K, 2200K (others in option)   CRI ≥80</p>
<b>Insulation class</b>	II, I
<b>Protection degree</b>	IP66/IP67   IK07
<b>Dimensions</b>	See the drawing
<b>Weight</b>	max 2.5kg
<b>Exposed surface</b>	<p>Version LM: Side: 0.036m<sup>2</sup> – Top: 0.024m<sup>2</sup>   SCx: 0.05m<sup>2</sup>            Version SM: Side: 0.024m<sup>2</sup> – Top: 0.036m<sup>2</sup>   SCx: 0.05m<sup>2</sup></p>
<b>Mounting</b>	<p>Brackets for universal wall, ceiling or floor installation.            Bracket C: compact bracket            Bracket A: cantilever bracket from 40 to 100mm.            See table fastening systems</p>
<b>Gear tray</b>	Removable / Replaceable
<b>Type of gear tray assembly</b>	<p>SM: Gear tray compartment installed on the side of the device.            LM: Gear tray compartment installed at the bottom of the device.            RM: Remote gear tray compartment.</p>
<b>Operating temp.</b>	-20°C / +50°C
<b>Storage temperature</b>	-40°C / +80°C
<b>Main reference standards</b>	EN 60598-1, EN 60598-2-5, EN 62471, EN 55015, EN 61547, EN 61000-3-2, EN 61000-3-3


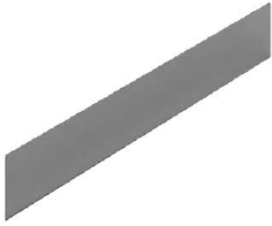
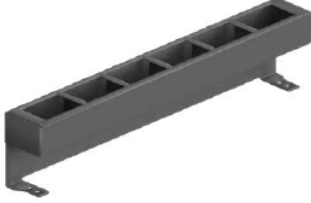


### ELECTRICAL CHARACTERISTICS

<b>Rated voltage</b>	220÷240V 50/60Hz (Standard tolerance ±10%. Other voltages and tolerances on request)
<b>Power factor</b>	>0.9 (at full load)
<b>Mains connection</b>	<p>Cable H07RN-F nx1.5mm<sup>2</sup>            Optional: connector M/F IP66/68 for cables max. 2.5mm<sup>2</sup>, Ø max. 14mm</p>
<b>Control system (options)</b>	<p>ON-OFF: Fixed power not dimmable.            DALI: Digital dimming interface DALI.</p>
<b>Optical unit lifetime (T<sub>q</sub>=25°C)</b>	<p>&gt;100.000hr L90B10            &gt;100.000hr L90, TM-21</p>

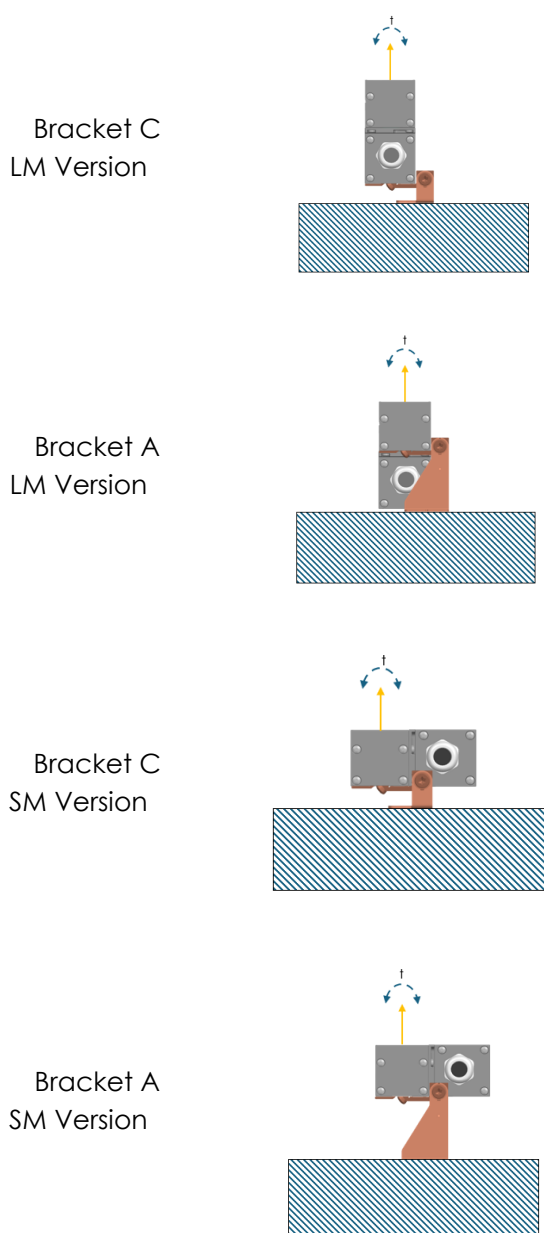
### MATERIALS

<b>Fixing</b>	Stainless steel brackets.
<b>Body</b>	Aluminum EN-AW 6060T5. Painted.
<b>Closure</b>	Stainless steel screws.
<b>Optic</b>	PMMA
<b>Screen</b>	Flat tempered glass, 5mm thick, high transparency.
<b>Cable gland</b>	Metallic IP68
<b>Gasket</b>	Moulded silicone
<b>Body colour</b>	<p>Standard: Graphite - Code 01 or Titanium – Cod:P3            Optional: see "Optional Colours" below. (other colours on request)</p>

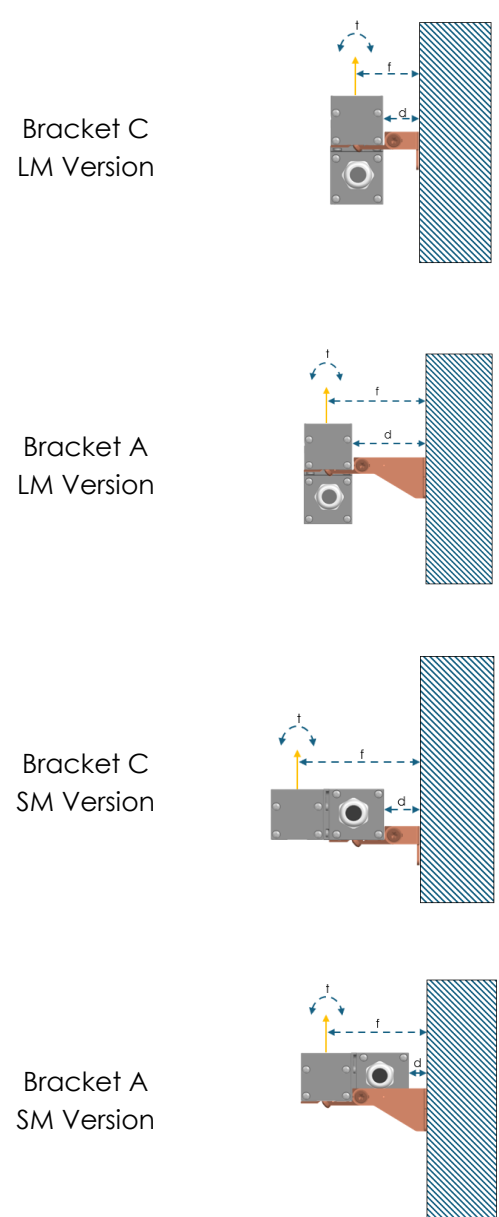
OPTICAL ACCESSORIES (OPTIONAL)		
HYB: Internal Honeycomb screen.	SH: External side screen	FV: External Full Visor Screen
		
<i>Consult the list of versions to check the availability of accessories depending on the selected optics</i>		

**TYPES OF INSTALLATION**

**Floor / Ceiling**



**Wall**



*Consult the assembly instructions for additional information on assembly types*

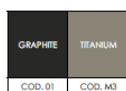


**FIXING SYSTEMS**

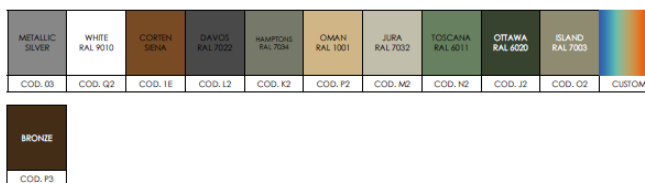
BRACKET	VERSION	f	d	Floor / Ceiling	Wall
				†	†
C	LM	47	27	-10° ÷ 105° *	-100° ÷ 15°
	SM	93	27	-10° ÷ 25°	-100° ÷ 40° *
A.40	LM	60	40	-10° ÷ 115° *	-100° ÷ 25°
	SM	66	0	-10° ÷ 45°	-100° ÷ 70° *
A.60	LM	80	60	0° ÷ 180°	-100° ÷ 45°
	SM	86	20	-10° ÷ 110°	-100° ÷ 20°
A.80	LM	100	80	-10° ÷ 180°	-100° ÷ 65°
	SM	106	40	-10° ÷ 110°	-100° ÷ 20°
A.100	LM	120	100	-10° ÷ 180°	-100° ÷ 90°
	SM	126	60	-10° ÷ 110°	-100° ÷ 20°

\*The values indicated refer to the bracket installed in the wiring compartment.

**Standard Colour**

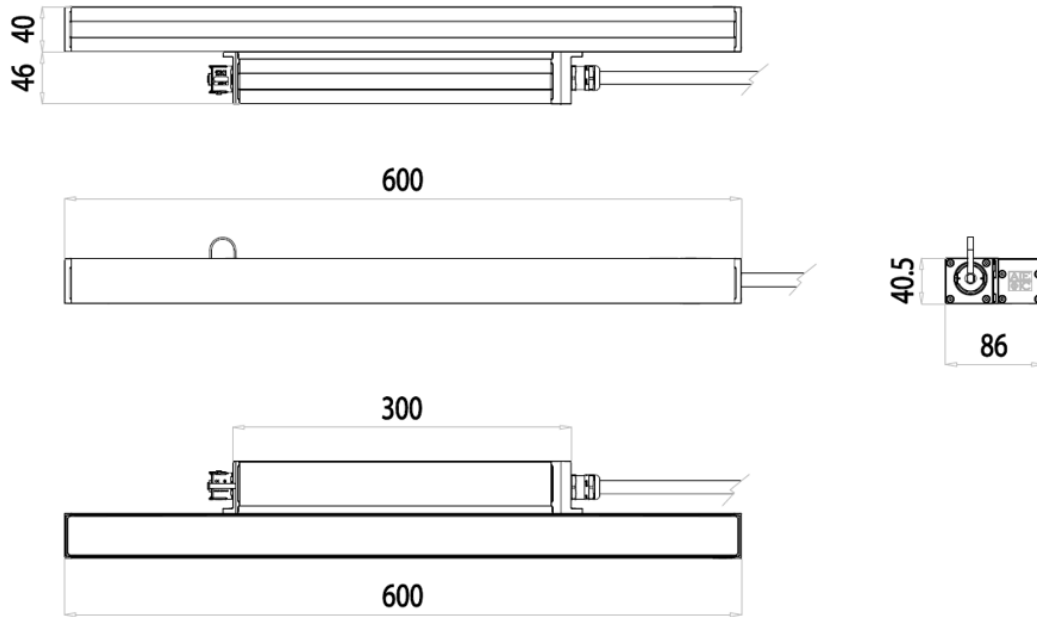


**Optional Colours**

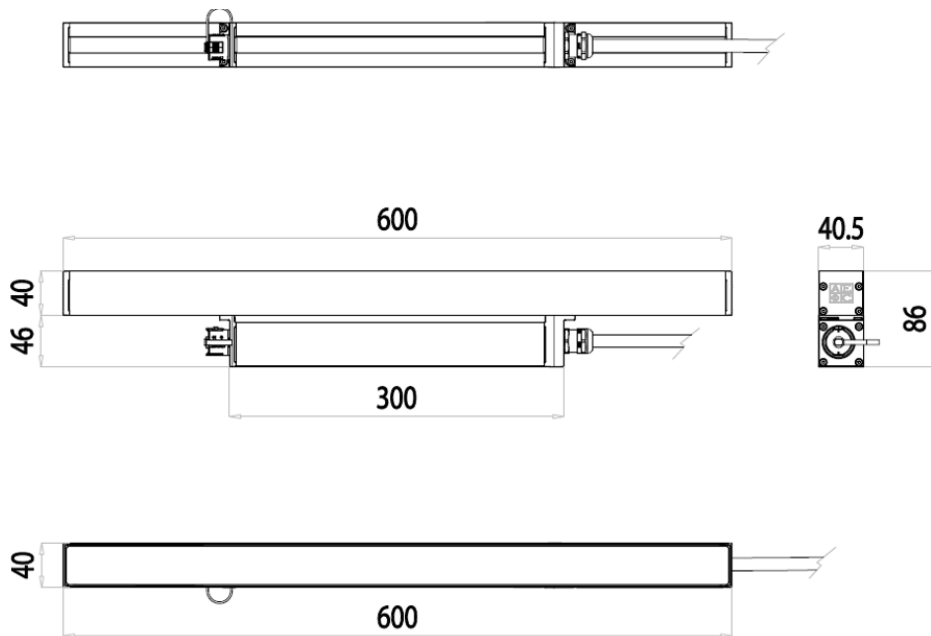


**DIMENSIONAL DRAWING**

**Version SM**



**Version LM**



**FILOBAR (600) OAL6 4000K**

LUMINAIRE	OPTIC	RATED LUMINAIRE FLUX*(4000K, lm)	RATED LUMINAIRE POWER*(W)	LUMINAIRE EFFICACY (lm/W)	Ta MAX (°C)	
FILOBAR (600) OAL6 8040.340-2M	SP-RS12	1410	14,2	99	50	
FILOBAR (600) OAL6 8040.610-2M		2450	24,2	101	50	
FILOBAR (600) OAL6 8040.670-2M		2660	26,3	101	50	
FILOBAR (600) OAL6 8040.850-2M		3230	32,6	99	35	
FILOBAR (600) OAL6 8040.950-2M		3490	36,1	96	35	
FILOBAR (600) OAL6 8040.340-2M HYB		1020	14,2	71	50	
FILOBAR (600) OAL6 8040.610-2M HYB		1760	24,2	72	50	
FILOBAR (600) OAL6 8040.670-2M HYB		1920	26,3	73	50	
FILOBAR (600) OAL6 8040.850-2M HYB		2330	32,6	71	35	
FILOBAR (600) OAL6 8040.950-2M HYB		2510	36,1	69	35	
FILOBAR (600) OAL6 8040.340-2M HV		1340	14,2	94	50	
FILOBAR (600) OAL6 8040.610-2M HV		2330	24,2	96	50	
FILOBAR (600) OAL6 8040.670-2M HV		2530	26,3	96	50	
FILOBAR (600) OAL6 8040.850-2M HV		3070	32,6	94	35	
FILOBAR (600) OAL6 8040.950-2M HV		3320	36,1	91	35	
FILOBAR (600) OAL6 8040.340-2M FV		1200	14,2	84	50	
FILOBAR (600) OAL6 8040.610-2M FV		2080	24,2	85	50	
FILOBAR (600) OAL6 8040.670-2M FV		2260	26,3	85	50	
FILOBAR (600) OAL6 8040.850-2M FV		2750	32,6	84	35	
FILOBAR (600) OAL6 8040.950-2M FV		2970	36,1	82	35	
FILOBAR (600) OAL6 8040.340-2M		SP-S15	1360	14,2	95	50
FILOBAR (600) OAL6 8040.610-2M			2370	24,2	97	50
FILOBAR (600) OAL6 8040.670-2M			2560	26,3	97	50
FILOBAR (600) OAL6 8040.850-2M			3090	32,6	94	35
FILOBAR (600) OAL6 8040.950-2M			3360	36,1	93	35
FILOBAR (600) OAL6 8040.340-2M HYB			950	14,2	66	50
FILOBAR (600) OAL6 8040.610-2M HYB			1660	24,2	68	50
FILOBAR (600) OAL6 8040.670-2M HYB			1790	26,3	68	50
FILOBAR (600) OAL6 8040.850-2M HYB			2160	32,6	66	35
FILOBAR (600) OAL6 8040.950-2M HYB			2350	36,1	65	35
FILOBAR (600) OAL6 8040.340-2M HV			1280	14,2	90	50
FILOBAR (600) OAL6 8040.610-2M HV			2230	24,2	92	50
FILOBAR (600) OAL6 8040.670-2M HV			2410	26,3	91	50
FILOBAR (600) OAL6 8040.850-2M HV	2900		32,6	88	35	
FILOBAR (600) OAL6 8040.950-2M HV	3160		36,1	87	35	
FILOBAR (600) OAL6 8040.340-2M FV	1130		14,2	79	50	
FILOBAR (600) OAL6 8040.610-2M FV	1970		24,2	81	50	
FILOBAR (600) OAL6 8040.670-2M FV	2120		26,3	80	50	
FILOBAR (600) OAL6 8040.850-2M FV	2560		32,6	78	35	
FILOBAR (600) OAL6 8040.950-2M FV	2790		36,1	77	35	
FILOBAR (600) OAL6 8040.340-2M	SP-M30		1410	14,2	99	50
FILOBAR (600) OAL6 8040.610-2M			2450	24,2	101	50
FILOBAR (600) OAL6 8040.670-2M			2660	26,3	101	50
FILOBAR (600) OAL6 8040.850-2M			3230	32,6	99	35
FILOBAR (600) OAL6 8040.950-2M			3490	36,1	96	35
FILOBAR (600) OAL6 8040.340-2M HYB			920	14,2	64	50
FILOBAR (600) OAL6 8040.610-2M HYB			1590	24,2	65	50
FILOBAR (600) OAL6 8040.670-2M HYB			1730	26,3	65	50
FILOBAR (600) OAL6 8040.850-2M HYB			2100	32,6	64	35
FILOBAR (600) OAL6 8040.950-2M HYB			2270	36,1	62	35
FILOBAR (600) OAL6 8040.340-2M HV			1310	14,2	92	50
FILOBAR (600) OAL6 8040.610-2M HV			2280	24,2	94	50
FILOBAR (600) OAL6 8040.670-2M HV			2470	26,3	93	50
FILOBAR (600) OAL6 8040.850-2M HV		3000	32,6	92	35	
FILOBAR (600) OAL6 8040.950-2M HV		3250	36,1	90	35	
FILOBAR (600) OAL6 8040.340-2M FV		1160	14,2	81	50	
FILOBAR (600) OAL6 8040.610-2M FV		2010	24,2	83	50	
FILOBAR (600) OAL6 8040.670-2M FV		2180	26,3	82	50	
FILOBAR (600) OAL6 8040.850-2M FV		2650	32,6	81	35	
FILOBAR (600) OAL6 8040.950-2M FV		2860	36,1	79	35	
FILOBAR (600) OAL6 8040.340-2M		SP-W50	1290	14,2	90	50
FILOBAR (600) OAL6 8040.610-2M			2240	24,2	92	50
FILOBAR (600) OAL6 8040.670-2M			2420	26,3	92	50
FILOBAR (600) OAL6 8040.850-2M			2930	32,6	89	35
FILOBAR (600) OAL6 8040.950-2M			3180	36,1	88	35
FILOBAR (600) OAL6 8040.340-2M HYB			650	14,2	45	50
FILOBAR (600) OAL6 8040.610-2M HYB			1120	24,2	46	50
FILOBAR (600) OAL6 8040.670-2M HYB			1210	26,3	46	50
FILOBAR (600) OAL6 8040.850-2M HYB			1470	32,6	45	35
FILOBAR (600) OAL6 8040.950-2M HYB			1590	36,1	44	35
FILOBAR (600) OAL6 8040.340-2M HV			1100	14,2	77	50

LUMINAIRE	OPTIC	RATED LUMINAIRE FLUX*(4000K, lm)	RATED LUMINAIRE POWER*(W)	LUMINAIRE EFFICACY (lm/W)	Ta MAX (°C)
FILOBAR (600) OAL6 8040.610-2M HV		1900	24,2	78	50
FILOBAR (600) OAL6 8040.670-2M HV		2060	26,3	78	50
FILOBAR (600) OAL6 8040.850-2M HV		2490	32,6	76	35
FILOBAR (600) OAL6 8040.950-2M HV		2700	36,1	74	35
FILOBAR (600) OAL6 8040.340-2M FV		830	14,2	58	50
FILOBAR (600) OAL6 8040.610-2M FV		1430	24,2	59	50
FILOBAR (600) OAL6 8040.670-2M FV		1550	26,3	58	50
FILOBAR (600) OAL6 8040.850-2M FV		1880	32,6	57	35
FILOBAR (600) OAL6 8040.950-2M FV		2040	36,1	56	35
FILOBAR (600) OAL6 8040.340-2M		1220	14,2	85	50
FILOBAR (600) OAL6 8040.610-2M		2110	24,2	87	50
FILOBAR (600) OAL6 8040.670-2M		2280	26,3	86	50
FILOBAR (600) OAL6 8040.850-2M		2760	32,6	84	35
FILOBAR (600) OAL6 8040.950-2M		2990	36,1	82	35
FILOBAR (600) OAL6 8040.340-2M HYB		520	14,2	36	50
FILOBAR (600) OAL6 8040.610-2M HYB		910	24,2	37	50
FILOBAR (600) OAL6 8040.670-2M HYB		980	26,3	37	50
FILOBAR (600) OAL6 8040.850-2M HYB		1190	32,6	36	35
FILOBAR (600) OAL6 8040.950-2M HYB		1290	36,1	35	35
FILOBAR (600) OAL6 8040.340-2M HV	SP-WW75	1010	14,2	71	50
FILOBAR (600) OAL6 8040.610-2M HV		1750	24,2	72	50
FILOBAR (600) OAL6 8040.670-2M HV		1890	26,3	71	50
FILOBAR (600) OAL6 8040.850-2M HV		2290	32,6	70	35
FILOBAR (600) OAL6 8040.950-2M HV		2480	36,1	68	35
FILOBAR (600) OAL6 8040.340-2M FV		610	14,2	42	50
FILOBAR (600) OAL6 8040.610-2M FV		1060	24,2	43	50
FILOBAR (600) OAL6 8040.670-2M FV		1140	26,3	43	50
FILOBAR (600) OAL6 8040.850-2M FV		1380	32,6	42	35
FILOBAR (600) OAL6 8040.950-2M FV		1500	36,1	41	35
FILOBAR (600) OAL6 8040.340-2M		1440	14,2	101	50
FILOBAR (600) OAL6 8040.610-2M		2490	24,2	102	50
FILOBAR (600) OAL6 8040.670-2M		2700	26,3	102	35
FILOBAR (600) OAL6 8040.850-2M		3260	32,6	100	35
FILOBAR (600) OAL6 8040.340-2M HV		1370	14,2	96	50
FILOBAR (600) OAL6 8040.610-2M HV	AS5-15-15	2370	24,2	97	50
FILOBAR (600) OAL6 8040.670-2M HV		2570	26,3	97	35
FILOBAR (600) OAL6 8040.850-2M HV		3100	32,6	95	35
FILOBAR (600) OAL6 8040.340-2M FV		1150	14,2	80	50
FILOBAR (600) OAL6 8040.610-2M FV		1990	24,2	82	50
FILOBAR (600) OAL6 8040.670-2M FV		2160	26,3	82	35
FILOBAR (600) OAL6 8040.850-2M FV		2610	32,6	80	35
FILOBAR (600) OAL6 8040.340-2M		1170	14,2	82	50
FILOBAR (600) OAL6 8040.610-2M		2010	24,2	83	50
FILOBAR (600) OAL6 8040.670-2M		2180	26,3	82	35
FILOBAR (600) OAL6 8040.850-2M		2640	32,6	80	35
FILOBAR (600) OAL6 8040.340-2M HV		1110	14,2	78	50
FILOBAR (600) OAL6 8040.610-2M HV	AS5-15-60	1910	24,2	78	50
FILOBAR (600) OAL6 8040.670-2M HV		2070	26,3	78	35
FILOBAR (600) OAL6 8040.850-2M HV		2510	32,6	76	35
FILOBAR (600) OAL6 8040.340-2M FV		770	14,2	54	50
FILOBAR (600) OAL6 8040.610-2M FV		1330	24,2	54	50
FILOBAR (600) OAL6 8040.670-2M FV		1440	26,3	54	35
FILOBAR (600) OAL6 8040.850-2M FV		1740	32,6	53	35
FILOBAR (600) OAL6 8040.340-2M		1380	14,2	97	50
FILOBAR (600) OAL6 8040.610-2M		2390	24,2	98	50
FILOBAR (600) OAL6 8040.670-2M		2600	26,3	98	35
FILOBAR (600) OAL6 8040.850-2M		3140	32,6	96	35
FILOBAR (600) OAL6 8040.340-2M HV		1320	14,2	92	50
FILOBAR (600) OAL6 8040.610-2M HV	EL-15-40	2290	24,2	94	50
FILOBAR (600) OAL6 8040.670-2M HV		2500	26,3	95	35
FILOBAR (600) OAL6 8040.850-2M HV		3010	32,6	92	35
FILOBAR (600) OAL6 8040.340-2M FV		1130	14,2	79	50
FILOBAR (600) OAL6 8040.610-2M FV		1960	24,2	80	50
FILOBAR (600) OAL6 8040.670-2M FV		2130	26,3	80	35
FILOBAR (600) OAL6 8040.850-2M FV		2570	32,6	78	35
FILOBAR (600) OAL6 8040.340-2M		1380	14,2	97	50
FILOBAR (600) OAL6 8040.610-2M		2390	24,2	98	50
FILOBAR (600) OAL6 8040.670-2M		2600	26,3	98	35
FILOBAR (600) OAL6 8040.850-2M	EL-40-15	3140	32,6	96	35
FILOBAR (600) OAL6 8040.340-2M HV		1380	14,2	97	50
FILOBAR (600) OAL6 8040.610-2M HV		2390	24,2	98	50
FILOBAR (600) OAL6 8040.670-2M HV		2600	26,3	98	35
FILOBAR (600) OAL6 8040.850-2M HV		3140	32,6	96	35

LUMINAIRE	OPTIC	RATED LUMINAIRE FLUX*(4000K, lm)	RATED LUMINAIRE POWER*(W)	LUMINAIRE EFFICACY (lm/W)	Ta MAX (°C)
FILOBAR (600) 0AL6 8040.340-2M FV		1380	14,2	97	50
FILOBAR (600) 0AL6 8040.610-2M FV		2390	24,2	98	50
FILOBAR (600) 0AL6 8040.670-2M FV		2600	26,3	98	35
FILOBAR (600) 0AL6 8040.850-2M FV		3140	32,6	96	35
FILOBAR (600) 0AL6 8040.340-2M		1380	14,2	97	50
FILOBAR (600) 0AL6 8040.610-2M		2390	24,2	98	50
FILOBAR (600) 0AL6 8040.670-2M		2600	26,3	98	35
FILOBAR (600) 0AL6 8040.850-2M		3140	32,6	96	35
FILOBAR (600) 0AL6 8040.340-2M HV		1320	14,2	92	50
FILOBAR (600) 0AL6 8040.610-2M HV		2290	24,2	94	50
FILOBAR (600) 0AL6 8040.670-2M HV	EL-15-60	2500	26,3	95	35
FILOBAR (600) 0AL6 8040.850-2M HV		3010	32,6	92	35
FILOBAR (600) 0AL6 8040.340-2M FV		980	14,2	69	50
FILOBAR (600) 0AL6 8040.610-2M FV		1700	24,2	70	50
FILOBAR (600) 0AL6 8040.670-2M FV		1850	26,3	70	35
FILOBAR (600) 0AL6 8040.850-2M FV		2230	32,6	68	35
FILOBAR (600) 0AL6 8040.340-2M		1090	14,2	76	50
FILOBAR (600) 0AL6 8040.610-2M		1890	24,2	78	50
FILOBAR (600) 0AL6 8040.670-2M		2050	26,3	77	35
FILOBAR (600) 0AL6 8040.850-2M		2470	32,6	75	35
FILOBAR (600) 0AL6 8040.340-2M HV		1010	14,2	71	50
FILOBAR (600) 0AL6 8040.610-2M HV		1760	24,2	72	50
FILOBAR (600) 0AL6 8040.670-2M HV	EL-15-135	1910	26,3	72	35
FILOBAR (600) 0AL6 8040.850-2M HV		2300	32,6	70	35
FILOBAR (600) 0AL6 8040.340-2M FV		450	14,2	31	50
FILOBAR (600) 0AL6 8040.610-2M FV		770	24,2	31	50
FILOBAR (600) 0AL6 8040.670-2M FV		840	26,3	31	35
FILOBAR (600) 0AL6 8040.850-2M FV		1010	32,6	30	35
FILOBAR (600) 0AL6 8040.340-2M		1270	14,2	89	50
FILOBAR (600) 0AL6 8040.610-2M		2200	24,2	90	50
FILOBAR (600) 0AL6 8040.670-2M		2390	26,3	90	35
FILOBAR (600) 0AL6 8040.850-2M		2890	32,6	88	35
FILOBAR (600) 0AL6 8040.340-2M HV		1180	14,2	83	50
FILOBAR (600) 0AL6 8040.610-2M HV		2050	24,2	84	50
FILOBAR (600) 0AL6 8040.670-2M HV	EL-30-45	2220	26,3	84	35
FILOBAR (600) 0AL6 8040.850-2M HV		2690	32,6	82	35
FILOBAR (600) 0AL6 8040.340-2M FV		930	14,2	65	50
FILOBAR (600) 0AL6 8040.610-2M FV		1610	24,2	66	50
FILOBAR (600) 0AL6 8040.670-2M FV		1740	26,3	66	35
FILOBAR (600) 0AL6 8040.850-2M FV		2110	32,6	64	35
FILOBAR (600) 0AL6 8040.340-2M		1270	14,2	89	50
FILOBAR (600) 0AL6 8040.610-2M		2200	24,2	90	50
FILOBAR (600) 0AL6 8040.670-2M		2390	26,3	90	35
FILOBAR (600) 0AL6 8040.850-2M		2890	32,6	88	35
FILOBAR (600) 0AL6 8040.340-2M HV		1170	14,2	82	50
FILOBAR (600) 0AL6 8040.610-2M HV		2020	24,2	83	50
FILOBAR (600) 0AL6 8040.670-2M HV	EL-30-70	2200	26,3	83	35
FILOBAR (600) 0AL6 8040.850-2M HV		2660	32,6	81	35
FILOBAR (600) 0AL6 8040.340-2M FV		800	14,2	56	50
FILOBAR (600) 0AL6 8040.610-2M FV		1390	24,2	57	50
FILOBAR (600) 0AL6 8040.670-2M FV		1510	26,3	57	35
FILOBAR (600) 0AL6 8040.850-2M FV		1820	32,6	55	35
FILOBAR (600) 0AL6 8040.340-2M		960	14,2	67	50
FILOBAR (600) 0AL6 8040.610-2M		1670	24,2	69	50
FILOBAR (600) 0AL6 8040.670-2M		1810	26,3	68	35
FILOBAR (600) 0AL6 8040.850-2M		2190	32,6	67	35
FILOBAR (600) 0AL6 8040.340-2M HV		850	14,2	59	50
FILOBAR (600) 0AL6 8040.610-2M HV		1490	24,2	61	50
FILOBAR (600) 0AL6 8040.670-2M HV	EL-30-130	1610	26,3	61	35
FILOBAR (600) 0AL6 8040.850-2M HV		1950	32,6	59	35
FILOBAR (600) 0AL6 8040.340-2M FV		370	14,2	26	50
FILOBAR (600) 0AL6 8040.610-2M FV		650	24,2	26	50
FILOBAR (600) 0AL6 8040.670-2M FV		710	26,3	26	35
FILOBAR (600) 0AL6 8040.850-2M FV		850	32,6	26	35

\*RATED LUMINAIRE FLUX / RATED LUMINAIRE POWER: Rated data obtained in laboratory. Tq=25°C, Vin=230Vac.  
 Values indicated in this technical sheet are to be considered rated values. Flux tolerance: ±10%. Power tolerance: ±10%.  
 The characteristics of the product listed above are subjected to change without notice.

**FILOBAR (600) OAL6 3000K**

LUMINAIRE	OPTIC	RATED LUMINAIRE FLUX*(3000K, lm)	RATED LUMINAIRE POWER*(W)	LUMINAIRE EFFICACY (lm/W)	Ta MAX (°C)
FILOBAR (600) OAL6 8030.340-2M	SP-RS12	1310	14,2	92	50
FILOBAR (600) OAL6 8030.610-2M		2270	24,2	93	50
FILOBAR (600) OAL6 8030.670-2M		2470	26,3	93	50
FILOBAR (600) OAL6 8030.850-2M		2990	32,6	91	35
FILOBAR (600) OAL6 8030.950-2M		3230	36,1	89	35
FILOBAR (600) OAL6 8030.340-2M HYB		940	14,2	66	50
FILOBAR (600) OAL6 8030.610-2M HYB		1630	24,2	67	50
FILOBAR (600) OAL6 8030.670-2M HYB		1780	26,3	67	50
FILOBAR (600) OAL6 8030.850-2M HYB		2150	32,6	65	35
FILOBAR (600) OAL6 8030.950-2M HYB		2330	36,1	64	35
FILOBAR (600) OAL6 8030.340-2M HV		1240	14,2	87	50
FILOBAR (600) OAL6 8030.610-2M HV		2160	24,2	89	50
FILOBAR (600) OAL6 8030.670-2M HV		2350	26,3	89	50
FILOBAR (600) OAL6 8030.850-2M HV		2840	32,6	87	35
FILOBAR (600) OAL6 8030.950-2M HV		3070	36,1	85	35
FILOBAR (600) OAL6 8030.340-2M FV		1110	14,2	78	50
FILOBAR (600) OAL6 8030.610-2M FV		1930	24,2	79	50
FILOBAR (600) OAL6 8030.670-2M FV		2100	26,3	79	50
FILOBAR (600) OAL6 8030.850-2M FV		2540	32,6	77	35
FILOBAR (600) OAL6 8030.950-2M FV		2750	36,1	76	35
FILOBAR (600) OAL6 8030.340-2M		1260	14,2	88	50
FILOBAR (600) OAL6 8030.610-2M		2190	24,2	90	50
FILOBAR (600) OAL6 8030.670-2M		2370	26,3	90	50
FILOBAR (600) OAL6 8030.850-2M		2870	32,6	88	35
FILOBAR (600) OAL6 8030.950-2M		3110	36,1	86	35
FILOBAR (600) OAL6 8030.340-2M HYB		880	14,2	61	50
FILOBAR (600) OAL6 8030.610-2M HYB		1530	24,2	63	50
FILOBAR (600) OAL6 8030.670-2M HYB		1660	26,3	63	50
FILOBAR (600) OAL6 8030.850-2M HYB		2010	32,6	61	35
FILOBAR (600) OAL6 8030.950-2M HYB		2180	36,1	60	35
FILOBAR (600) OAL6 8030.340-2M HV	1180	14,2	83	50	
FILOBAR (600) OAL6 8030.610-2M HV	2060	24,2	85	50	
FILOBAR (600) OAL6 8030.670-2M HV	2230	26,3	84	50	
FILOBAR (600) OAL6 8030.850-2M HV	2700	32,6	82	35	
FILOBAR (600) OAL6 8030.950-2M HV	2920	36,1	80	35	
FILOBAR (600) OAL6 8030.340-2M FV	1050	14,2	73	50	
FILOBAR (600) OAL6 8030.610-2M FV	1820	24,2	75	50	
FILOBAR (600) OAL6 8030.670-2M FV	1970	26,3	74	50	
FILOBAR (600) OAL6 8030.850-2M FV	2380	32,6	73	35	
FILOBAR (600) OAL6 8030.950-2M FV	2580	36,1	71	35	
FILOBAR (600) OAL6 8030.340-2M	1310	14,2	92	50	
FILOBAR (600) OAL6 8030.610-2M	2270	24,2	93	50	
FILOBAR (600) OAL6 8030.670-2M	2470	26,3	93	50	
FILOBAR (600) OAL6 8030.850-2M	2990	32,6	91	35	
FILOBAR (600) OAL6 8030.950-2M	3230	36,1	89	35	
FILOBAR (600) OAL6 8030.340-2M HYB	850	14,2	59	50	
FILOBAR (600) OAL6 8030.610-2M HYB	1480	24,2	61	50	
FILOBAR (600) OAL6 8030.670-2M HYB	1610	26,3	61	50	
FILOBAR (600) OAL6 8030.850-2M HYB	1940	32,6	59	35	
FILOBAR (600) OAL6 8030.950-2M HYB	2100	36,1	58	35	
FILOBAR (600) OAL6 8030.340-2M HV	1220	14,2	85	50	
FILOBAR (600) OAL6 8030.610-2M HV	2110	24,2	87	50	
FILOBAR (600) OAL6 8030.670-2M HV	2300	26,3	87	50	
FILOBAR (600) OAL6 8030.850-2M HV	2780	32,6	85	35	
FILOBAR (600) OAL6 8030.950-2M HV	3000	36,1	83	35	
FILOBAR (600) OAL6 8030.340-2M FV	1070	14,2	75	50	
FILOBAR (600) OAL6 8030.610-2M FV	1860	24,2	76	50	
FILOBAR (600) OAL6 8030.670-2M FV	2030	26,3	77	50	
FILOBAR (600) OAL6 8030.850-2M FV	2450	32,6	75	35	
FILOBAR (600) OAL6 8030.950-2M FV	2650	36,1	73	35	
FILOBAR (600) OAL6 8030.340-2M	1190	14,2	83	50	
FILOBAR (600) OAL6 8030.610-2M	2070	24,2	85	50	
FILOBAR (600) OAL6 8030.670-2M	2240	26,3	85	50	
FILOBAR (600) OAL6 8030.850-2M	2710	32,6	83	35	
FILOBAR (600) OAL6 8030.950-2M	2940	36,1	81	35	
FILOBAR (600) OAL6 8030.340-2M HYB	600	14,2	42	50	
FILOBAR (600) OAL6 8030.610-2M HYB	1040	24,2	42	50	
FILOBAR (600) OAL6 8030.670-2M HYB	1120	26,3	42	50	
FILOBAR (600) OAL6 8030.850-2M HYB	1360	32,6	41	35	
FILOBAR (600) OAL6 8030.950-2M HYB	1470	36,1	40	35	
FILOBAR (600) OAL6 8030.340-2M HV	1010	14,2	71	50	

LUMINAIRE	OPTIC	RATED LUMINAIRE FLUX*(3000K, lm)	RATED LUMINAIRE POWER*(W)	LUMINAIRE EFFICACY (lm/W)	Ta MAX (°C)
FILOBAR (600) OAL6 8030.610-2M HV		1760	24,2	72	50
FILOBAR (600) OAL6 8030.670-2M HV		1900	26,3	72	50
FILOBAR (600) OAL6 8030.850-2M HV		2300	32,6	70	35
FILOBAR (600) OAL6 8030.950-2M HV		2500	36,1	69	35
FILOBAR (600) OAL6 8030.340-2M FV		760	14,2	53	50
FILOBAR (600) OAL6 8030.610-2M FV		1320	24,2	54	50
FILOBAR (600) OAL6 8030.670-2M FV		1430	26,3	54	50
FILOBAR (600) OAL6 8030.850-2M FV		1730	32,6	53	35
FILOBAR (600) OAL6 8030.950-2M FV		1880	36,1	52	35
FILOBAR (600) OAL6 8030.340-2M		1130	14,2	79	50
FILOBAR (600) OAL6 8030.610-2M		1950	24,2	80	50
FILOBAR (600) OAL6 8030.670-2M		2110	26,3	80	50
FILOBAR (600) OAL6 8030.850-2M		2560	32,6	78	35
FILOBAR (600) OAL6 8030.950-2M		2770	36,1	76	35
FILOBAR (600) OAL6 8030.340-2M HYB		490	14,2	34	50
FILOBAR (600) OAL6 8030.610-2M HYB		840	24,2	34	50
FILOBAR (600) OAL6 8030.670-2M HYB		910	26,3	34	50
FILOBAR (600) OAL6 8030.850-2M HYB		1100	32,6	33	35
FILOBAR (600) OAL6 8030.950-2M HYB		1190	36,1	32	35
FILOBAR (600) OAL6 8030.340-2M HV	SP-WW75	940	14,2	66	50
FILOBAR (600) OAL6 8030.610-2M HV		1620	24,2	66	50
FILOBAR (600) OAL6 8030.670-2M HV		1750	26,3	66	50
FILOBAR (600) OAL6 8030.850-2M HV		2120	32,6	65	35
FILOBAR (600) OAL6 8030.950-2M HV		2300	36,1	63	35
FILOBAR (600) OAL6 8030.340-2M FV		570	14,2	40	50
FILOBAR (600) OAL6 8030.610-2M FV		980	24,2	40	50
FILOBAR (600) OAL6 8030.670-2M FV		1060	26,3	40	50
FILOBAR (600) OAL6 8030.850-2M FV		1280	32,6	39	35
FILOBAR (600) OAL6 8030.950-2M FV		1390	36,1	38	35
FILOBAR (600) OAL6 8030.340-2M		1330	14,2	93	50
FILOBAR (600) OAL6 8030.610-2M		2300	24,2	95	50
FILOBAR (600) OAL6 8030.670-2M		2500	26,3	95	35
FILOBAR (600) OAL6 8030.850-2M		3020	32,6	92	35
FILOBAR (600) OAL6 8030.340-2M HV		1260	14,2	88	50
FILOBAR (600) OAL6 8030.610-2M HV	AS5-15-15	2190	24,2	90	50
FILOBAR (600) OAL6 8030.670-2M HV		2380	26,3	90	35
FILOBAR (600) OAL6 8030.850-2M HV		2870	32,6	88	35
FILOBAR (600) OAL6 8030.340-2M FV		1060	14,2	74	50
FILOBAR (600) OAL6 8030.610-2M FV		1840	24,2	76	50
FILOBAR (600) OAL6 8030.670-2M FV		2000	26,3	76	35
FILOBAR (600) OAL6 8030.850-2M FV		2420	32,6	74	35
FILOBAR (600) OAL6 8030.340-2M		1080	14,2	76	50
FILOBAR (600) OAL6 8030.610-2M		1860	24,2	76	50
FILOBAR (600) OAL6 8030.670-2M		2020	26,3	76	35
FILOBAR (600) OAL6 8030.850-2M		2450	32,6	75	35
FILOBAR (600) OAL6 8030.340-2M HV		1030	14,2	72	50
FILOBAR (600) OAL6 8030.610-2M HV	AS5-15-60	1770	24,2	73	50
FILOBAR (600) OAL6 8030.670-2M HV		1920	26,3	73	35
FILOBAR (600) OAL6 8030.850-2M HV		2330	32,6	71	35
FILOBAR (600) OAL6 8030.340-2M FV		710	14,2	50	50
FILOBAR (600) OAL6 8030.610-2M FV		1230	24,2	50	50
FILOBAR (600) OAL6 8030.670-2M FV		1330	26,3	50	35
FILOBAR (600) OAL6 8030.850-2M FV		1620	32,6	49	35
FILOBAR (600) OAL6 8030.340-2M		1280	14,2	90	50
FILOBAR (600) OAL6 8030.610-2M		2220	24,2	91	50
FILOBAR (600) OAL6 8030.670-2M		2400	26,3	91	35
FILOBAR (600) OAL6 8030.850-2M		2910	32,6	89	35
FILOBAR (600) OAL6 8030.340-2M HV		1230	14,2	86	50
FILOBAR (600) OAL6 8030.610-2M HV	EL-15-40	2130	24,2	88	50
FILOBAR (600) OAL6 8030.670-2M HV		2300	26,3	87	35
FILOBAR (600) OAL6 8030.850-2M HV		2790	32,6	85	35
FILOBAR (600) OAL6 8030.340-2M FV		1050	14,2	73	50
FILOBAR (600) OAL6 8030.610-2M FV		1820	24,2	75	50
FILOBAR (600) OAL6 8030.670-2M FV		1970	26,3	74	35
FILOBAR (600) OAL6 8030.850-2M FV		2390	32,6	73	35
FILOBAR (600) OAL6 8030.340-2M		1280	14,2	90	50
FILOBAR (600) OAL6 8030.610-2M		2220	24,2	91	50
FILOBAR (600) OAL6 8030.670-2M		2400	26,3	91	35
FILOBAR (600) OAL6 8030.850-2M	EL-40-15	2910	32,6	89	35
FILOBAR (600) OAL6 8030.340-2M HV		1280	14,2	90	50
FILOBAR (600) OAL6 8030.610-2M HV		2220	24,2	91	50
FILOBAR (600) OAL6 8030.670-2M HV		2400	26,3	91	35
FILOBAR (600) OAL6 8030.850-2M HV		2910	32,6	89	35

LUMINAIRE	OPTIC	RATED LUMINAIRE FLUX*(3000K, lm)	RATED LUMINAIRE POWER*(W)	LUMINAIRE EFFICACY (lm/W)	Ta MAX (°C)
FILOBAR (600) 0AL6 8030.340-2M FV		1280	14,2	90	50
FILOBAR (600) 0AL6 8030.610-2M FV		2220	24,2	91	50
FILOBAR (600) 0AL6 8030.670-2M FV		2400	26,3	91	35
FILOBAR (600) 0AL6 8030.850-2M FV		2910	32,6	89	35
FILOBAR (600) 0AL6 8030.340-2M		1280	14,2	90	50
FILOBAR (600) 0AL6 8030.610-2M		2220	24,2	91	50
FILOBAR (600) 0AL6 8030.670-2M		2400	26,3	91	35
FILOBAR (600) 0AL6 8030.850-2M		2910	32,6	89	35
FILOBAR (600) 0AL6 8030.340-2M HV		1230	14,2	86	50
FILOBAR (600) 0AL6 8030.610-2M HV		2130	24,2	88	50
FILOBAR (600) 0AL6 8030.670-2M HV	EL-15-60	2300	26,3	87	35
FILOBAR (600) 0AL6 8030.850-2M HV		2790	32,6	85	35
FILOBAR (600) 0AL6 8030.340-2M FV		910	14,2	64	50
FILOBAR (600) 0AL6 8030.610-2M FV		1580	24,2	65	50
FILOBAR (600) 0AL6 8030.670-2M FV		1700	26,3	64	35
FILOBAR (600) 0AL6 8030.850-2M FV		2070	32,6	63	35
FILOBAR (600) 0AL6 8030.340-2M		1010	14,2	71	50
FILOBAR (600) 0AL6 8030.610-2M		1750	24,2	72	50
FILOBAR (600) 0AL6 8030.670-2M		1900	26,3	72	35
FILOBAR (600) 0AL6 8030.850-2M		2290	32,6	70	35
FILOBAR (600) 0AL6 8030.340-2M HV		940	14,2	66	50
FILOBAR (600) 0AL6 8030.610-2M HV		1630	24,2	67	50
FILOBAR (600) 0AL6 8030.670-2M HV	EL-15-135	1770	26,3	67	35
FILOBAR (600) 0AL6 8030.850-2M HV		2130	32,6	65	35
FILOBAR (600) 0AL6 8030.340-2M FV		410	14,2	28	50
FILOBAR (600) 0AL6 8030.610-2M FV		720	24,2	29	50
FILOBAR (600) 0AL6 8030.670-2M FV		780	26,3	29	35
FILOBAR (600) 0AL6 8030.850-2M FV		940	32,6	28	35
FILOBAR (600) 0AL6 8030.340-2M		1180	14,2	83	50
FILOBAR (600) 0AL6 8030.610-2M		2040	24,2	84	50
FILOBAR (600) 0AL6 8030.670-2M		2210	26,3	84	35
FILOBAR (600) 0AL6 8030.850-2M		2680	32,6	82	35
FILOBAR (600) 0AL6 8030.340-2M HV		1100	14,2	77	50
FILOBAR (600) 0AL6 8030.610-2M HV		1900	24,2	78	50
FILOBAR (600) 0AL6 8030.670-2M HV	EL-30-45	2060	26,3	78	35
FILOBAR (600) 0AL6 8030.850-2M HV		2490	32,6	76	35
FILOBAR (600) 0AL6 8030.340-2M FV		860	14,2	60	50
FILOBAR (600) 0AL6 8030.610-2M FV		1490	24,2	61	50
FILOBAR (600) 0AL6 8030.670-2M FV		1610	26,3	61	35
FILOBAR (600) 0AL6 8030.850-2M FV		1960	32,6	60	35
FILOBAR (600) 0AL6 8030.340-2M		1180	14,2	83	50
FILOBAR (600) 0AL6 8030.610-2M		2040	24,2	84	50
FILOBAR (600) 0AL6 8030.670-2M		2210	26,3	84	35
FILOBAR (600) 0AL6 8030.850-2M		2680	32,6	82	35
FILOBAR (600) 0AL6 8030.340-2M HV		1090	14,2	76	50
FILOBAR (600) 0AL6 8030.610-2M HV		1880	24,2	77	50
FILOBAR (600) 0AL6 8030.670-2M HV	EL-30-70	2030	26,3	77	35
FILOBAR (600) 0AL6 8030.850-2M HV		2470	32,6	75	35
FILOBAR (600) 0AL6 8030.340-2M FV		740	14,2	52	50
FILOBAR (600) 0AL6 8030.610-2M FV		1290	24,2	53	50
FILOBAR (600) 0AL6 8030.670-2M FV		1390	26,3	52	35
FILOBAR (600) 0AL6 8030.850-2M FV		1690	32,6	51	35
FILOBAR (600) 0AL6 8030.340-2M		890	14,2	62	50
FILOBAR (600) 0AL6 8030.610-2M		1550	24,2	64	50
FILOBAR (600) 0AL6 8030.670-2M		1680	26,3	63	35
FILOBAR (600) 0AL6 8030.850-2M		2030	32,6	62	35
FILOBAR (600) 0AL6 8030.340-2M HV		790	14,2	55	50
FILOBAR (600) 0AL6 8030.610-2M HV		1380	24,2	57	50
FILOBAR (600) 0AL6 8030.670-2M HV	EL-30-130	1500	26,3	57	35
FILOBAR (600) 0AL6 8030.850-2M HV		1810	32,6	55	35
FILOBAR (600) 0AL6 8030.340-2M FV		350	14,2	24	50
FILOBAR (600) 0AL6 8030.610-2M FV		600	24,2	24	50
FILOBAR (600) 0AL6 8030.670-2M FV		660	26,3	25	35
FILOBAR (600) 0AL6 8030.850-2M FV		790	32,6	24	35

\*RATED LUMINAIRE FLUX / RATED LUMINAIRE POWER: Rated data obtained in laboratory. Tq=25°C, Vin=230Vac.  
 Values indicated in this technical sheet are to be considered rated values. Flux tolerance: ±10%. Power tolerance: ±10%.  
 The characteristics of the product listed above are subjected to change without notice.

**FILOBAR (600) OAL6 2700K**

LUMINAIRE	OPTIC	RATED LUMINAIRE FLUX*(2700K, lm)	RATED LUMINAIRE POWER*(W)	LUMINAIRE EFFICACY (lm/W)	Ta MAX (°C)
FILOBAR (600) OAL6 8027.340-2M	SP-RS12	1060	14,2	74	50
FILOBAR (600) OAL6 8027.610-2M		1840	24,2	76	50
FILOBAR (600) OAL6 8027.670-2M		2000	26,3	76	50
FILOBAR (600) OAL6 8027.850-2M		2420	32,6	74	35
FILOBAR (600) OAL6 8027.950-2M		2620	36,1	72	35
FILOBAR (600) OAL6 8027.340-2M HYB		760	14,2	53	50
FILOBAR (600) OAL6 8027.610-2M HYB		1320	24,2	54	50
FILOBAR (600) OAL6 8027.670-2M HYB		1440	26,3	54	50
FILOBAR (600) OAL6 8027.850-2M HYB		1740	32,6	53	35
FILOBAR (600) OAL6 8027.950-2M HYB		1890	36,1	52	35
FILOBAR (600) OAL6 8027.340-2M HV		1010	14,2	71	50
FILOBAR (600) OAL6 8027.610-2M HV		1750	24,2	72	50
FILOBAR (600) OAL6 8027.670-2M HV		1900	26,3	72	50
FILOBAR (600) OAL6 8027.850-2M HV		2300	32,6	70	35
FILOBAR (600) OAL6 8027.950-2M HV		2490	36,1	68	35
FILOBAR (600) OAL6 8027.340-2M FV		900	14,2	63	50
FILOBAR (600) OAL6 8027.610-2M FV		1560	24,2	64	50
FILOBAR (600) OAL6 8027.670-2M FV		1700	26,3	64	50
FILOBAR (600) OAL6 8027.850-2M FV		2060	32,6	63	35
FILOBAR (600) OAL6 8027.950-2M FV		2230	36,1	61	35
FILOBAR (600) OAL6 8027.340-2M		1020	14,2	71	50
FILOBAR (600) OAL6 8027.610-2M		1770	24,2	73	50
FILOBAR (600) OAL6 8027.670-2M		1920	26,3	73	50
FILOBAR (600) OAL6 8027.850-2M		2320	32,6	71	35
FILOBAR (600) OAL6 8027.950-2M		2520	36,1	69	35
FILOBAR (600) OAL6 8027.340-2M HYB		710	14,2	49	50
FILOBAR (600) OAL6 8027.610-2M HYB		1240	24,2	51	50
FILOBAR (600) OAL6 8027.670-2M HYB		1340	26,3	50	50
FILOBAR (600) OAL6 8027.850-2M HYB		1620	32,6	49	35
FILOBAR (600) OAL6 8027.950-2M HYB		1760	36,1	48	35
FILOBAR (600) OAL6 8027.340-2M HV		960	14,2	67	50
FILOBAR (600) OAL6 8027.610-2M HV		1660	24,2	68	50
FILOBAR (600) OAL6 8027.670-2M HV		1800	26,3	68	50
FILOBAR (600) OAL6 8027.850-2M HV	2180	32,6	66	35	
FILOBAR (600) OAL6 8027.950-2M HV	2370	36,1	65	35	
FILOBAR (600) OAL6 8027.340-2M FV	850	14,2	59	50	
FILOBAR (600) OAL6 8027.610-2M FV	1470	24,2	60	50	
FILOBAR (600) OAL6 8027.670-2M FV	1590	26,3	60	50	
FILOBAR (600) OAL6 8027.850-2M FV	1930	32,6	59	35	
FILOBAR (600) OAL6 8027.950-2M FV	2090	36,1	57	35	
FILOBAR (600) OAL6 8027.340-2M	1060	14,2	74	50	
FILOBAR (600) OAL6 8027.610-2M	1840	24,2	76	50	
FILOBAR (600) OAL6 8027.670-2M	2000	26,3	76	50	
FILOBAR (600) OAL6 8027.850-2M	2420	32,6	74	35	
FILOBAR (600) OAL6 8027.950-2M	2620	36,1	72	35	
FILOBAR (600) OAL6 8027.340-2M HYB	690	14,2	48	50	
FILOBAR (600) OAL6 8027.610-2M HYB	1200	24,2	49	50	
FILOBAR (600) OAL6 8027.670-2M HYB	1300	26,3	49	50	
FILOBAR (600) OAL6 8027.850-2M HYB	1570	32,6	48	35	
FILOBAR (600) OAL6 8027.950-2M HYB	1700	36,1	47	35	
FILOBAR (600) OAL6 8027.340-2M HV	990	14,2	69	50	
FILOBAR (600) OAL6 8027.610-2M HV	1710	24,2	70	50	
FILOBAR (600) OAL6 8027.670-2M HV	1860	26,3	70	50	
FILOBAR (600) OAL6 8027.850-2M HV	2250	32,6	69	35	
FILOBAR (600) OAL6 8027.950-2M HV	2440	36,1	67	35	
FILOBAR (600) OAL6 8027.340-2M FV	870	14,2	61	50	
FILOBAR (600) OAL6 8027.610-2M FV	1510	24,2	62	50	
FILOBAR (600) OAL6 8027.670-2M FV	1640	26,3	62	50	
FILOBAR (600) OAL6 8027.850-2M FV	1980	32,6	60	35	
FILOBAR (600) OAL6 8027.950-2M FV	2150	36,1	59	35	
FILOBAR (600) OAL6 8027.340-2M	960	14,2	67	50	
FILOBAR (600) OAL6 8027.610-2M	1680	24,2	69	50	
FILOBAR (600) OAL6 8027.670-2M	1820	26,3	69	50	
FILOBAR (600) OAL6 8027.850-2M	2200	32,6	67	35	
FILOBAR (600) OAL6 8027.950-2M	2380	36,1	65	35	
FILOBAR (600) OAL6 8027.340-2M HYB	480	14,2	33	50	
FILOBAR (600) OAL6 8027.610-2M HYB	840	24,2	34	50	
FILOBAR (600) OAL6 8027.670-2M HYB	910	26,3	34	50	
FILOBAR (600) OAL6 8027.850-2M HYB	1100	32,6	33	35	
FILOBAR (600) OAL6 8027.950-2M HYB	1190	36,1	32	35	
FILOBAR (600) OAL6 8027.340-2M HV	820	14,2	57	50	

LUMINAIRE	OPTIC	RATED LUMINAIRE FLUX*(2700K, lm)	RATED LUMINAIRE POWER*(W)	LUMINAIRE EFFICACY (lm/W)	Ta MAX (°C)
FILOBAR (600) OAL6 8027.610-2M HV		1430	24,2	59	50
FILOBAR (600) OAL6 8027.670-2M HV		1550	26,3	58	50
FILOBAR (600) OAL6 8027.850-2M HV		1870	32,6	57	35
FILOBAR (600) OAL6 8027.950-2M HV		2020	36,1	55	35
FILOBAR (600) OAL6 8027.340-2M FV		610	14,2	42	50
FILOBAR (600) OAL6 8027.610-2M FV		1080	24,2	44	50
FILOBAR (600) OAL6 8027.670-2M FV		1160	26,3	44	50
FILOBAR (600) OAL6 8027.850-2M FV		1410	32,6	43	35
FILOBAR (600) OAL6 8027.950-2M FV		1520	36,1	42	35
FILOBAR (600) OAL6 8027.340-2M		920	14,2	64	50
FILOBAR (600) OAL6 8027.610-2M		1580	24,2	65	50
FILOBAR (600) OAL6 8027.670-2M		1710	26,3	65	50
FILOBAR (600) OAL6 8027.850-2M		2070	32,6	63	35
FILOBAR (600) OAL6 8027.950-2M		2240	36,1	62	35
FILOBAR (600) OAL6 8027.340-2M HYB		400	14,2	28	50
FILOBAR (600) OAL6 8027.610-2M HYB		680	24,2	28	50
FILOBAR (600) OAL6 8027.670-2M HYB		740	26,3	28	50
FILOBAR (600) OAL6 8027.850-2M HYB		890	32,6	27	35
FILOBAR (600) OAL6 8027.950-2M HYB		960	36,1	26	35
FILOBAR (600) OAL6 8027.340-2M HV	SP-WW75	760	14,2	53	50
FILOBAR (600) OAL6 8027.610-2M HV		1310	24,2	54	50
FILOBAR (600) OAL6 8027.670-2M HV		1420	26,3	53	50
FILOBAR (600) OAL6 8027.850-2M HV		1720	32,6	52	35
FILOBAR (600) OAL6 8027.950-2M HV		1860	36,1	51	35
FILOBAR (600) OAL6 8027.340-2M FV		460	14,2	32	50
FILOBAR (600) OAL6 8027.610-2M FV		790	24,2	32	50
FILOBAR (600) OAL6 8027.670-2M FV		860	26,3	32	50
FILOBAR (600) OAL6 8027.850-2M FV		1040	32,6	31	35
FILOBAR (600) OAL6 8027.950-2M FV		1120	36,1	31	35
FILOBAR (600) OAL6 8027.340-2M		1080	14,2	76	50
FILOBAR (600) OAL6 8027.610-2M		1860	24,2	76	50
FILOBAR (600) OAL6 8027.670-2M		2020	26,3	76	35
FILOBAR (600) OAL6 8027.850-2M		2450	32,6	75	35
FILOBAR (600) OAL6 8027.340-2M HV		1030	14,2	72	50
FILOBAR (600) OAL6 8027.610-2M HV	AS5-15-15	1770	24,2	73	50
FILOBAR (600) OAL6 8027.670-2M HV		1920	26,3	73	35
FILOBAR (600) OAL6 8027.850-2M HV		2330	32,6	71	35
FILOBAR (600) OAL6 8027.340-2M FV		860	14,2	60	50
FILOBAR (600) OAL6 8027.610-2M FV		1490	24,2	61	50
FILOBAR (600) OAL6 8027.670-2M FV		1620	26,3	61	35
FILOBAR (600) OAL6 8027.850-2M FV		1960	32,6	60	35
FILOBAR (600) OAL6 8027.340-2M		870	14,2	61	50
FILOBAR (600) OAL6 8027.610-2M		1510	24,2	62	50
FILOBAR (600) OAL6 8027.670-2M		1640	26,3	62	35
FILOBAR (600) OAL6 8027.850-2M		1980	32,6	60	35
FILOBAR (600) OAL6 8027.340-2M HV		830	14,2	58	50
FILOBAR (600) OAL6 8027.610-2M HV	AS5-15-60	1430	24,2	59	50
FILOBAR (600) OAL6 8027.670-2M HV		1560	26,3	59	35
FILOBAR (600) OAL6 8027.850-2M HV		1880	32,6	57	35
FILOBAR (600) OAL6 8027.340-2M FV		570	14,2	40	50
FILOBAR (600) OAL6 8027.610-2M FV		1000	24,2	41	50
FILOBAR (600) OAL6 8027.670-2M FV		1080	26,3	41	35
FILOBAR (600) OAL6 8027.850-2M FV		1310	32,6	40	35
FILOBAR (600) OAL6 8027.340-2M		1040	14,2	73	50
FILOBAR (600) OAL6 8027.610-2M		1790	24,2	73	50
FILOBAR (600) OAL6 8027.670-2M		1950	26,3	74	35
FILOBAR (600) OAL6 8027.850-2M		2360	32,6	72	35
FILOBAR (600) OAL6 8027.340-2M HV		1000	14,2	70	50
FILOBAR (600) OAL6 8027.610-2M HV	EL-15-40	1720	24,2	71	50
FILOBAR (600) OAL6 8027.670-2M HV		1870	26,3	71	35
FILOBAR (600) OAL6 8027.850-2M HV		2270	32,6	69	35
FILOBAR (600) OAL6 8027.340-2M FV		850	14,2	59	50
FILOBAR (600) OAL6 8027.610-2M FV		1470	24,2	60	50
FILOBAR (600) OAL6 8027.670-2M FV		1600	26,3	60	35
FILOBAR (600) OAL6 8027.850-2M FV		1940	32,6	59	35
FILOBAR (600) OAL6 8027.340-2M		1040	14,2	73	50
FILOBAR (600) OAL6 8027.610-2M		1790	24,2	73	50
FILOBAR (600) OAL6 8027.670-2M		1950	26,3	74	35
FILOBAR (600) OAL6 8027.850-2M	EL-40-15	2360	32,6	72	35
FILOBAR (600) OAL6 8027.340-2M HV		1040	14,2	73	50
FILOBAR (600) OAL6 8027.610-2M HV		1790	24,2	73	50
FILOBAR (600) OAL6 8027.670-2M HV		1950	26,3	74	35
FILOBAR (600) OAL6 8027.850-2M HV		2360	32,6	72	35

LUMINAIRE	OPTIC	RATED LUMINAIRE FLUX*(2700K, lm)	RATED LUMINAIRE POWER*(W)	LUMINAIRE EFFICACY (lm/W)	Ta MAX (°C)
FILOBAR (600) 0AL6 8027.340-2M FV		1040	14,2	73	50
FILOBAR (600) 0AL6 8027.610-2M FV		1790	24,2	73	50
FILOBAR (600) 0AL6 8027.670-2M FV		1950	26,3	74	35
FILOBAR (600) 0AL6 8027.850-2M FV		2360	32,6	72	35
FILOBAR (600) 0AL6 8027.340-2M		1040	14,2	73	50
FILOBAR (600) 0AL6 8027.610-2M		1790	24,2	73	50
FILOBAR (600) 0AL6 8027.670-2M		1950	26,3	74	35
FILOBAR (600) 0AL6 8027.850-2M		2360	32,6	72	35
FILOBAR (600) 0AL6 8027.340-2M HV		1000	14,2	70	50
FILOBAR (600) 0AL6 8027.610-2M HV		1720	24,2	71	50
FILOBAR (600) 0AL6 8027.670-2M HV	EL-15-60	1870	26,3	71	35
FILOBAR (600) 0AL6 8027.850-2M HV		2270	32,6	69	35
FILOBAR (600) 0AL6 8027.340-2M FV		740	14,2	52	50
FILOBAR (600) 0AL6 8027.610-2M FV		1270	24,2	52	50
FILOBAR (600) 0AL6 8027.670-2M FV		1380	26,3	52	35
FILOBAR (600) 0AL6 8027.850-2M FV		1680	32,6	51	35
FILOBAR (600) 0AL6 8027.340-2M		820	14,2	57	50
FILOBAR (600) 0AL6 8027.610-2M		1420	24,2	58	50
FILOBAR (600) 0AL6 8027.670-2M		1540	26,3	58	35
FILOBAR (600) 0AL6 8027.850-2M		1850	32,6	56	35
FILOBAR (600) 0AL6 8027.340-2M HV		760	14,2	53	50
FILOBAR (600) 0AL6 8027.610-2M HV		1320	24,2	54	50
FILOBAR (600) 0AL6 8027.670-2M HV	EL-15-135	1430	26,3	54	35
FILOBAR (600) 0AL6 8027.850-2M HV		1720	32,6	52	35
FILOBAR (600) 0AL6 8027.340-2M FV		340	14,2	23	50
FILOBAR (600) 0AL6 8027.610-2M FV		580	24,2	23	50
FILOBAR (600) 0AL6 8027.670-2M FV		630	26,3	23	35
FILOBAR (600) 0AL6 8027.850-2M FV		760	32,6	23	35
FILOBAR (600) 0AL6 8027.340-2M		960	14,2	67	50
FILOBAR (600) 0AL6 8027.610-2M		1650	24,2	68	50
FILOBAR (600) 0AL6 8027.670-2M		1790	26,3	68	35
FILOBAR (600) 0AL6 8027.850-2M		2170	32,6	66	35
FILOBAR (600) 0AL6 8027.340-2M HV		890	14,2	62	50
FILOBAR (600) 0AL6 8027.610-2M HV		1530	24,2	63	50
FILOBAR (600) 0AL6 8027.670-2M HV	EL-30-45	1660	26,3	63	35
FILOBAR (600) 0AL6 8027.850-2M HV		2020	32,6	61	35
FILOBAR (600) 0AL6 8027.340-2M FV		700	14,2	49	50
FILOBAR (600) 0AL6 8027.610-2M FV		1200	24,2	49	50
FILOBAR (600) 0AL6 8027.670-2M FV		1310	26,3	49	35
FILOBAR (600) 0AL6 8027.850-2M FV		1580	32,6	48	35
FILOBAR (600) 0AL6 8027.340-2M		960	14,2	67	50
FILOBAR (600) 0AL6 8027.610-2M		1650	24,2	68	50
FILOBAR (600) 0AL6 8027.670-2M		1790	26,3	68	35
FILOBAR (600) 0AL6 8027.850-2M		2170	32,6	66	35
FILOBAR (600) 0AL6 8027.340-2M HV		880	14,2	61	50
FILOBAR (600) 0AL6 8027.610-2M HV		1520	24,2	62	50
FILOBAR (600) 0AL6 8027.670-2M HV	EL-30-70	1650	26,3	62	35
FILOBAR (600) 0AL6 8027.850-2M HV		2000	32,6	61	35
FILOBAR (600) 0AL6 8027.340-2M FV		600	14,2	42	50
FILOBAR (600) 0AL6 8027.610-2M FV		1040	24,2	42	50
FILOBAR (600) 0AL6 8027.670-2M FV		1130	26,3	42	35
FILOBAR (600) 0AL6 8027.850-2M FV		1370	32,6	42	35
FILOBAR (600) 0AL6 8027.340-2M		720	14,2	50	50
FILOBAR (600) 0AL6 8027.610-2M		1250	24,2	51	50
FILOBAR (600) 0AL6 8027.670-2M		1360	26,3	51	35
FILOBAR (600) 0AL6 8027.850-2M		1640	32,6	50	35
FILOBAR (600) 0AL6 8027.340-2M HV		640	14,2	45	50
FILOBAR (600) 0AL6 8027.610-2M HV		1110	24,2	45	50
FILOBAR (600) 0AL6 8027.670-2M HV	EL-30-130	1210	26,3	46	35
FILOBAR (600) 0AL6 8027.850-2M HV		1460	32,6	44	35
FILOBAR (600) 0AL6 8027.340-2M FV		280	14,2	19	50
FILOBAR (600) 0AL6 8027.610-2M FV		490	24,2	20	50
FILOBAR (600) 0AL6 8027.670-2M FV		530	26,3	20	35
FILOBAR (600) 0AL6 8027.850-2M FV		640	32,6	19	35

\*RATED LUMINAIRE FLUX / RATED LUMINAIRE POWER: Rated data obtained in laboratory. Tq=25°C, Vin=230Vac.  
 Values indicated in this technical sheet are to be considered rated values. Flux tolerance: ±10%. Power tolerance: ±10%.  
 The characteristics of the product listed above are subjected to change without notice.

**FILOBAR (600) OAL6 2200K**

LUMINAIRE	OPTIC	RATED LUMINAIRE FLUX*(2200K, lm)	RATED LUMINAIRE POWER*(W)	LUMINAIRE EFFICACY (lm/W)	Ta MAX (°C)	
FILOBAR (600) OAL6 8022.340-2M	SP-RS12	920	14,2	64	50	
FILOBAR (600) OAL6 8022.610-2M		1590	24,2	65	50	
FILOBAR (600) OAL6 8022.670-2M		1730	26,3	65	50	
FILOBAR (600) OAL6 8022.850-2M		2090	32,6	64	35	
FILOBAR (600) OAL6 8022.950-2M		2260	36,1	62	35	
FILOBAR (600) OAL6 8022.340-2M HYB		660	14,2	46	50	
FILOBAR (600) OAL6 8022.610-2M HYB		1140	24,2	47	50	
FILOBAR (600) OAL6 8022.670-2M HYB		1250	26,3	47	50	
FILOBAR (600) OAL6 8022.850-2M HYB		1500	32,6	46	35	
FILOBAR (600) OAL6 8022.950-2M HYB		1630	36,1	45	35	
FILOBAR (600) OAL6 8022.340-2M HV		870	14,2	61	50	
FILOBAR (600) OAL6 8022.610-2M HV		1510	24,2	62	50	
FILOBAR (600) OAL6 8022.670-2M HV		1640	26,3	62	50	
FILOBAR (600) OAL6 8022.850-2M HV		1990	32,6	61	35	
FILOBAR (600) OAL6 8022.950-2M HV		2150	36,1	59	35	
FILOBAR (600) OAL6 8022.340-2M FV		780	14,2	54	50	
FILOBAR (600) OAL6 8022.610-2M FV		1350	24,2	55	50	
FILOBAR (600) OAL6 8022.670-2M FV		1470	26,3	55	50	
FILOBAR (600) OAL6 8022.850-2M FV		1780	32,6	54	35	
FILOBAR (600) OAL6 8022.950-2M FV		1920	36,1	53	35	
FILOBAR (600) OAL6 8022.340-2M		SP-S15	880	14,2	61	50
FILOBAR (600) OAL6 8022.610-2M			1530	24,2	63	50
FILOBAR (600) OAL6 8022.670-2M			1660	26,3	63	50
FILOBAR (600) OAL6 8022.850-2M			2010	32,6	61	35
FILOBAR (600) OAL6 8022.950-2M			2180	36,1	60	35
FILOBAR (600) OAL6 8022.340-2M HYB			620	14,2	43	50
FILOBAR (600) OAL6 8022.610-2M HYB			1070	24,2	44	50
FILOBAR (600) OAL6 8022.670-2M HYB			1160	26,3	44	50
FILOBAR (600) OAL6 8022.850-2M HYB			1410	32,6	43	35
FILOBAR (600) OAL6 8022.950-2M HYB			1530	36,1	42	35
FILOBAR (600) OAL6 8022.340-2M HV	830		14,2	58	50	
FILOBAR (600) OAL6 8022.610-2M HV	1440		24,2	59	50	
FILOBAR (600) OAL6 8022.670-2M HV	1560		26,3	59	50	
FILOBAR (600) OAL6 8022.850-2M HV	1890		32,6	57	35	
FILOBAR (600) OAL6 8022.950-2M HV	2050		36,1	56	35	
FILOBAR (600) OAL6 8022.340-2M FV	730		14,2	51	50	
FILOBAR (600) OAL6 8022.610-2M FV	1270		24,2	52	50	
FILOBAR (600) OAL6 8022.670-2M FV	1380		26,3	52	50	
FILOBAR (600) OAL6 8022.850-2M FV	1670		32,6	51	35	
FILOBAR (600) OAL6 8022.950-2M FV	1810		36,1	50	35	
FILOBAR (600) OAL6 8022.340-2M	SP-M30		920	14,2	64	50
FILOBAR (600) OAL6 8022.610-2M			1590	24,2	65	50
FILOBAR (600) OAL6 8022.670-2M			1730	26,3	65	50
FILOBAR (600) OAL6 8022.850-2M			2090	32,6	64	35
FILOBAR (600) OAL6 8022.950-2M			2260	36,1	62	35
FILOBAR (600) OAL6 8022.340-2M HYB			600	14,2	42	50
FILOBAR (600) OAL6 8022.610-2M HYB			1030	24,2	42	50
FILOBAR (600) OAL6 8022.670-2M HYB			1120	26,3	42	50
FILOBAR (600) OAL6 8022.850-2M HYB			1360	32,6	41	35
FILOBAR (600) OAL6 8022.950-2M HYB			1470	36,1	40	35
FILOBAR (600) OAL6 8022.340-2M HV		860	14,2	60	50	
FILOBAR (600) OAL6 8022.610-2M HV		1480	24,2	61	50	
FILOBAR (600) OAL6 8022.670-2M HV		1610	26,3	61	50	
FILOBAR (600) OAL6 8022.850-2M HV		1940	32,6	59	35	
FILOBAR (600) OAL6 8022.950-2M HV		2100	36,1	58	35	
FILOBAR (600) OAL6 8022.340-2M FV		750	14,2	52	50	
FILOBAR (600) OAL6 8022.610-2M FV		1300	24,2	53	50	
FILOBAR (600) OAL6 8022.670-2M FV		1420	26,3	53	50	
FILOBAR (600) OAL6 8022.850-2M FV		1710	32,6	52	35	
FILOBAR (600) OAL6 8022.950-2M FV		1850	36,1	51	35	
FILOBAR (600) OAL6 8022.340-2M		SP-W50	830	14,2	58	50
FILOBAR (600) OAL6 8022.610-2M			1450	24,2	59	50
FILOBAR (600) OAL6 8022.670-2M			1570	26,3	59	50
FILOBAR (600) OAL6 8022.850-2M			1900	32,6	58	35
FILOBAR (600) OAL6 8022.950-2M			2060	36,1	57	35
FILOBAR (600) OAL6 8022.340-2M HYB			420	14,2	29	50
FILOBAR (600) OAL6 8022.610-2M HYB			730	24,2	30	50
FILOBAR (600) OAL6 8022.670-2M HYB			790	26,3	30	50
FILOBAR (600) OAL6 8022.850-2M HYB			950	32,6	29	35
FILOBAR (600) OAL6 8022.950-2M HYB			1030	36,1	28	35
FILOBAR (600) OAL6 8022.340-2M HV	710	14,2	49	50		

LUMINAIRE	OPTIC	RATED LUMINAIRE FLUX*(2200K, lm)	RATED LUMINAIRE POWER*(W)	LUMINAIRE EFFICACY (lm/W)	Ta MAX (°C)
FILOBAR (600) OAL6 8022.610-2M HV		1230	24,2	50	50
FILOBAR (600) OAL6 8022.670-2M HV		1330	26,3	50	50
FILOBAR (600) OAL6 8022.850-2M HV		1620	32,6	49	35
FILOBAR (600) OAL6 8022.950-2M HV		1750	36,1	48	35
FILOBAR (600) OAL6 8022.340-2M FV		530	14,2	37	50
FILOBAR (600) OAL6 8022.610-2M FV		930	24,2	38	50
FILOBAR (600) OAL6 8022.670-2M FV		1000	26,3	38	50
FILOBAR (600) OAL6 8022.850-2M FV		1220	32,6	37	35
FILOBAR (600) OAL6 8022.950-2M FV		1320	36,1	36	35
FILOBAR (600) OAL6 8022.340-2M		790	14,2	55	50
FILOBAR (600) OAL6 8022.610-2M		1370	24,2	56	50
FILOBAR (600) OAL6 8022.670-2M		1480	26,3	56	50
FILOBAR (600) OAL6 8022.850-2M		1790	32,6	54	35
FILOBAR (600) OAL6 8022.950-2M		1940	36,1	53	35
FILOBAR (600) OAL6 8022.340-2M HYB		340	14,2	23	50
FILOBAR (600) OAL6 8022.610-2M HYB		590	24,2	24	50
FILOBAR (600) OAL6 8022.670-2M HYB		640	26,3	24	50
FILOBAR (600) OAL6 8022.850-2M HYB		770	32,6	23	35
FILOBAR (600) OAL6 8022.950-2M HYB		830	36,1	22	35
FILOBAR (600) OAL6 8022.340-2M HV	SP-WW75	660	14,2	46	50
FILOBAR (600) OAL6 8022.610-2M HV		1140	24,2	47	50
FILOBAR (600) OAL6 8022.670-2M HV		1230	26,3	46	50
FILOBAR (600) OAL6 8022.850-2M HV		1490	32,6	45	35
FILOBAR (600) OAL6 8022.950-2M HV		1610	36,1	44	35
FILOBAR (600) OAL6 8022.340-2M FV		400	14,2	28	50
FILOBAR (600) OAL6 8022.610-2M FV		690	24,2	28	50
FILOBAR (600) OAL6 8022.670-2M FV		740	26,3	28	50
FILOBAR (600) OAL6 8022.850-2M FV		900	32,6	27	35
FILOBAR (600) OAL6 8022.950-2M FV		970	36,1	26	35
FILOBAR (600) OAL6 8022.340-2M		930	14,2	65	50
FILOBAR (600) OAL6 8022.610-2M		1610	24,2	66	50
FILOBAR (600) OAL6 8022.670-2M		1750	26,3	66	35
FILOBAR (600) OAL6 8022.850-2M		2110	32,6	64	35
FILOBAR (600) OAL6 8022.340-2M HV		880	14,2	61	50
FILOBAR (600) OAL6 8022.610-2M HV	AS5-15-15	1530	24,2	63	50
FILOBAR (600) OAL6 8022.670-2M HV		1660	26,3	63	35
FILOBAR (600) OAL6 8022.850-2M HV		2000	32,6	61	35
FILOBAR (600) OAL6 8022.340-2M FV		740	14,2	52	50
FILOBAR (600) OAL6 8022.610-2M FV		1290	24,2	53	50
FILOBAR (600) OAL6 8022.670-2M FV		1400	26,3	53	35
FILOBAR (600) OAL6 8022.850-2M FV		1690	32,6	51	35
FILOBAR (600) OAL6 8022.340-2M		760	14,2	53	50
FILOBAR (600) OAL6 8022.610-2M		1300	24,2	53	50
FILOBAR (600) OAL6 8022.670-2M		1420	26,3	53	35
FILOBAR (600) OAL6 8022.850-2M		1710	32,6	52	35
FILOBAR (600) OAL6 8022.340-2M HV		720	14,2	50	50
FILOBAR (600) OAL6 8022.610-2M HV	AS5-15-60	1240	24,2	51	50
FILOBAR (600) OAL6 8022.670-2M HV		1350	26,3	51	35
FILOBAR (600) OAL6 8022.850-2M HV		1620	32,6	49	35
FILOBAR (600) OAL6 8022.340-2M FV		500	14,2	35	50
FILOBAR (600) OAL6 8022.610-2M FV		860	24,2	35	50
FILOBAR (600) OAL6 8022.670-2M FV		940	26,3	35	35
FILOBAR (600) OAL6 8022.850-2M FV		1130	32,6	34	35
FILOBAR (600) OAL6 8022.340-2M		900	14,2	63	50
FILOBAR (600) OAL6 8022.610-2M		1550	24,2	64	50
FILOBAR (600) OAL6 8022.670-2M		1680	26,3	63	35
FILOBAR (600) OAL6 8022.850-2M		2040	32,6	62	35
FILOBAR (600) OAL6 8022.340-2M HV		860	14,2	60	50
FILOBAR (600) OAL6 8022.610-2M HV	EL-15-40	1490	24,2	61	50
FILOBAR (600) OAL6 8022.670-2M HV		1610	26,3	61	35
FILOBAR (600) OAL6 8022.850-2M HV		1960	32,6	60	35
FILOBAR (600) OAL6 8022.340-2M FV		740	14,2	52	50
FILOBAR (600) OAL6 8022.610-2M FV		1270	24,2	52	50
FILOBAR (600) OAL6 8022.670-2M FV		1380	26,3	52	35
FILOBAR (600) OAL6 8022.850-2M FV		1670	32,6	51	35
FILOBAR (600) OAL6 8022.340-2M		900	14,2	63	50
FILOBAR (600) OAL6 8022.610-2M		1550	24,2	64	50
FILOBAR (600) OAL6 8022.670-2M		1680	26,3	63	35
FILOBAR (600) OAL6 8022.850-2M	EL-40-15	2040	32,6	62	35
FILOBAR (600) OAL6 8022.340-2M HV		900	14,2	63	50
FILOBAR (600) OAL6 8022.610-2M HV		1550	24,2	64	50
FILOBAR (600) OAL6 8022.670-2M HV		1680	26,3	63	35
FILOBAR (600) OAL6 8022.850-2M HV		2040	32,6	62	35

LUMINAIRE	OPTIC	RATED LUMINAIRE FLUX*(2200K, lm)	RATED LUMINAIRE POWER*(W)	LUMINAIRE EFFICACY (lm/W)	Ta MAX (°C)
FILOBAR (600) 0AL6 8022.340-2M FV		900	14,2	63	50
FILOBAR (600) 0AL6 8022.610-2M FV		1550	24,2	64	50
FILOBAR (600) 0AL6 8022.670-2M FV		1680	26,3	63	35
FILOBAR (600) 0AL6 8022.850-2M FV		2040	32,6	62	35
FILOBAR (600) 0AL6 8022.340-2M		900	14,2	63	50
FILOBAR (600) 0AL6 8022.610-2M		1550	24,2	64	50
FILOBAR (600) 0AL6 8022.670-2M		1680	26,3	63	35
FILOBAR (600) 0AL6 8022.850-2M		2040	32,6	62	35
FILOBAR (600) 0AL6 8022.340-2M HV		860	14,2	60	50
FILOBAR (600) 0AL6 8022.610-2M HV		1490	24,2	61	50
FILOBAR (600) 0AL6 8022.670-2M HV	EL-15-60	1610	26,3	61	35
FILOBAR (600) 0AL6 8022.850-2M HV		1960	32,6	60	35
FILOBAR (600) 0AL6 8022.340-2M FV		640	14,2	45	50
FILOBAR (600) 0AL6 8022.610-2M FV		1100	24,2	45	50
FILOBAR (600) 0AL6 8022.670-2M FV		1190	26,3	45	35
FILOBAR (600) 0AL6 8022.850-2M FV		1450	32,6	44	35
FILOBAR (600) 0AL6 8022.340-2M		710	14,2	49	50
FILOBAR (600) 0AL6 8022.610-2M		1230	24,2	50	50
FILOBAR (600) 0AL6 8022.670-2M		1330	26,3	50	35
FILOBAR (600) 0AL6 8022.850-2M		1600	32,6	49	35
FILOBAR (600) 0AL6 8022.340-2M HV		660	14,2	46	50
FILOBAR (600) 0AL6 8022.610-2M HV		1140	24,2	47	50
FILOBAR (600) 0AL6 8022.670-2M HV	EL-15-135	1240	26,3	47	35
FILOBAR (600) 0AL6 8022.850-2M HV		1490	32,6	45	35
FILOBAR (600) 0AL6 8022.340-2M FV		290	14,2	20	50
FILOBAR (600) 0AL6 8022.610-2M FV		500	24,2	20	50
FILOBAR (600) 0AL6 8022.670-2M FV		550	26,3	20	35
FILOBAR (600) 0AL6 8022.850-2M FV		660	32,6	20	35
FILOBAR (600) 0AL6 8022.340-2M		830	14,2	58	50
FILOBAR (600) 0AL6 8022.610-2M		1430	24,2	59	50
FILOBAR (600) 0AL6 8022.670-2M		1550	26,3	58	35
FILOBAR (600) 0AL6 8022.850-2M		1880	32,6	57	35
FILOBAR (600) 0AL6 8022.340-2M HV		770	14,2	54	50
FILOBAR (600) 0AL6 8022.610-2M HV		1330	24,2	54	50
FILOBAR (600) 0AL6 8022.670-2M HV	EL-30-45	1440	26,3	54	35
FILOBAR (600) 0AL6 8022.850-2M HV		1750	32,6	53	35
FILOBAR (600) 0AL6 8022.340-2M FV		610	14,2	42	50
FILOBAR (600) 0AL6 8022.610-2M FV		1040	24,2	42	50
FILOBAR (600) 0AL6 8022.670-2M FV		1130	26,3	42	35
FILOBAR (600) 0AL6 8022.850-2M FV		1370	32,6	42	35
FILOBAR (600) 0AL6 8022.340-2M		830	14,2	58	50
FILOBAR (600) 0AL6 8022.610-2M		1430	24,2	59	50
FILOBAR (600) 0AL6 8022.670-2M		1550	26,3	58	35
FILOBAR (600) 0AL6 8022.850-2M		1880	32,6	57	35
FILOBAR (600) 0AL6 8022.340-2M HV		760	14,2	53	50
FILOBAR (600) 0AL6 8022.610-2M HV		1320	24,2	54	50
FILOBAR (600) 0AL6 8022.670-2M HV	EL-30-70	1430	26,3	54	35
FILOBAR (600) 0AL6 8022.850-2M HV		1730	32,6	53	35
FILOBAR (600) 0AL6 8022.340-2M FV		520	14,2	36	50
FILOBAR (600) 0AL6 8022.610-2M FV		900	24,2	37	50
FILOBAR (600) 0AL6 8022.670-2M FV		980	26,3	37	35
FILOBAR (600) 0AL6 8022.850-2M FV		1180	32,6	36	35
FILOBAR (600) 0AL6 8022.340-2M		620	14,2	43	50
FILOBAR (600) 0AL6 8022.610-2M		1080	24,2	44	50
FILOBAR (600) 0AL6 8022.670-2M		1170	26,3	44	35
FILOBAR (600) 0AL6 8022.850-2M		1420	32,6	43	35
FILOBAR (600) 0AL6 8022.340-2M HV		550	14,2	38	50
FILOBAR (600) 0AL6 8022.610-2M HV		960	24,2	39	50
FILOBAR (600) 0AL6 8022.670-2M HV	EL-30-130	1040	26,3	39	35
FILOBAR (600) 0AL6 8022.850-2M HV		1260	32,6	38	35
FILOBAR (600) 0AL6 8022.340-2M FV		240	14,2	16	50
FILOBAR (600) 0AL6 8022.610-2M FV		420	24,2	17	50
FILOBAR (600) 0AL6 8022.670-2M FV		460	26,3	17	35
FILOBAR (600) 0AL6 8022.850-2M FV		550	32,6	16	35

\*RATED LUMINAIRE FLUX / RATED LUMINAIRE POWER: Rated data obtained in laboratory. Tq=25°C, Vin=230Vac.  
 Values indicated in this technical sheet are to be considered rated values. Flux tolerance: ±10%. Power tolerance: ±10%.  
 The characteristics of the product listed above are subjected to change without notice.