

ATSL / ATSC



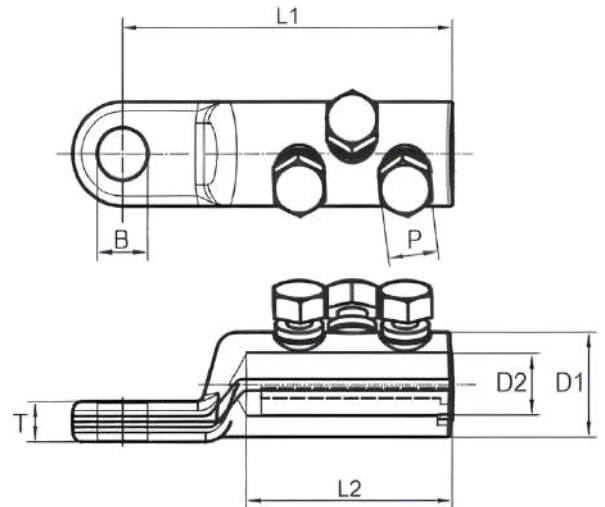
ATSL and ATSC are mechanical torque shear lugs and connectors engineered for medium-voltage applications. Featuring an aluminium electro-tin-plated body with aluminium shear bolts, accommodates conductor sizes 16 mm² to 1000 mm². Suitable for indoor and outdoor use, all palm holes are designed to fit M12 / M16 bolts.

KEY FEATURES

- Compatible with aluminium and copper cables
- Torque-controlled shear-off bolts ensure a reliable electrical connection
- Accommodates various conductor types, shapes, and materials
- Installs with standard socket or wrench, no costly crimping tools needed
- Solid palm design prevents moisture ingress
- Grooved inner barrel enhances electrical contact
- Non-removable bolts after shearing
- Meets IEC 61238-1 Class A and B, BS EN 50483-6:2009 standards
- Solid centre on connectors ensures water-blocking
- Includes anti-oxidising paste for aluminium conductors
- Range-taking design reduces inventory levels

LUGS

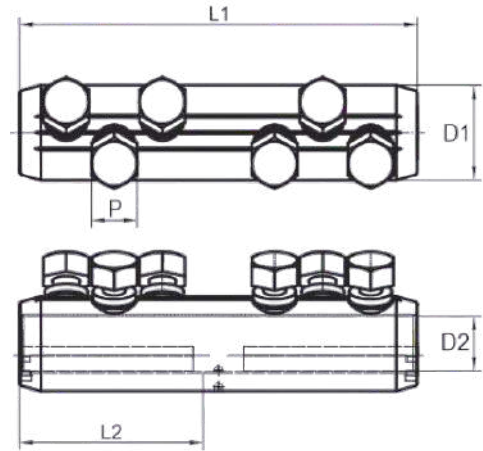
Product	Conductor Size (mm ²)	No. of Bolts	Dimensions (mm)						
			L1	L2	D1	D2	T	P	B
ATSL25 / 95 / 12B1	25 - 95	1	64.6	33.8	24	13.3	9	13	13
ATSL25 / 95 / 16B1	25 - 95	1	64.6	33.8	24	13.3	9	13	17
ATSL35 / 150 / 12B1	35 - 150	1	72.5	38.8	28	16	10	17	13
ATSL35 / 150 / 16B1	35 - 150	1	72.5	38.8	28	16	10	17	17
ATSL70 / 240 / 12B2	70 - 240	2	97.5	61.3	33	20	13	19	13
ATSL70 / 240 / 16B2	70 - 240	2	97.5	61.3	33	20	13	19	17
ATSL120 / 300 / 12B2	120 - 300	2	106.5	68.3	38	24	14	22	13
ATSL120 / 300 / 16B2	120 - 300	2	106.5	68.3	38	24	14	22	17
ATSL185 / 400 / 12B2	185 - 400	3	120	78.3	42	26	16	22	13
ATSL185 / 400 / 16B2	185 - 400	3	120	78.3	42	26	16	22	17
ATSL300 / 630 / 12B3	300 - 630	3	140	90.3	52	33	20	24	13
ATSL300 / 630 / 16B3	300 - 630	3	140	90.3	52	33	20	24	17
ATSL800 / 1000 / 20B4	800 - 1000	4	165	105	65	41	30	22	21



ATSL / ATSC

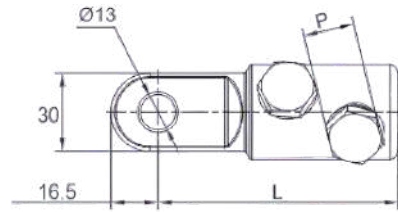
CONNECTORS

Product	Conductor Size (mm ²)	No. of Bolts	Dimensions (mm)				
			L1	L2	D1	D2	P
ATSC10 / 35B2	10 - 35	2	45	21	19	8.3	9
ATSC25 / 95B2	25 - 95	2	70	33.5	24	13.3	13
ATSC35 / 150B2	35 - 150	2	80	38.5	28	16	17
ATSC70 / 240B4	70 - 240	4	125	61	33	20	19
ATSC120 / 300B4	120 - 300	4	140	68	38	24	22
ATSC185 / 400B6	185 - 400	6	170	83	42	26	22
ATSC300 / 630B6	300 - 630	6	200	97	52	33	24
ATSC800 / 1000B8	800 - 1000	8	220	105	65	41	22

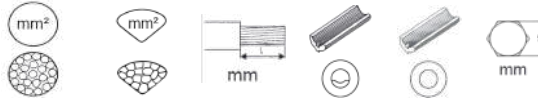


CENTRE LUGS

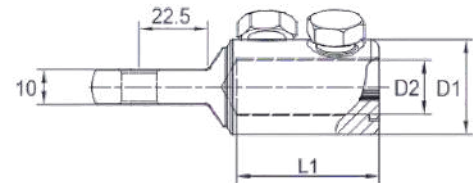
Product	Conductor Size (mm ²)	No. of Bolts	Dimensions (mm)				
			L1	L	D1	D2	P
ATSLC25 / 95B1	25 - 95	1	33.8	71	24	13.3	13
ATSLC35 / 150B1	35 - 150	1	38.8	82.5	29	16	17
ATSLC70 / 240B2	70 - 240	2	61.3	103	33	20	19
ATSLC300 / 630B3	300 - 630	3	90.3	142	52	33	24



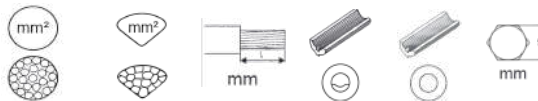
LUGS



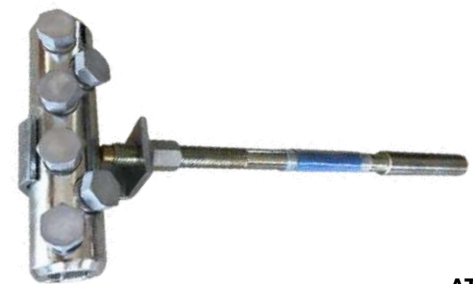
Product	Al Circular	Al Sector	Strip Length (mm)	Retain Insert	Remove Insert	Head Size (mm) (P)
ATSL25 / 95	25 - 95	25 - 70	35	25 - 50	70 - 95	13
ATSL35 / 150	35 - 150	35 - 120	41	35 - 70	95 - 150	17
ATSL70 / 240	70 - 240	70 - 185	64	70 - 120	150 - 240	19
ATSL120 / 300	120 - 300	120 - 240	71	120 - 185	240 - 300	22
ATSL185 / 400	185 - 400	185 - 300	81	185 - 240	300 - 400	22
ATSL300 / 630	300 - 630	300 - 500	92	300 - 400	500 - 630	24
ATSL800 / 1000	800 - 1000	800	108			22



CONNECTORS



Product	Al Circular	Al Sector	Strip Length (mm)	Retain Insert	Remove Insert	Head Size (mm) (P)
ATSC10 / 35B2	10 - 35	10 - 25	23			9
ATSC25 / 95B2	25 - 95	25 - 70	35	25 - 50	70 - 95	13
ATSC35 / 150B2	35 - 150	35 - 120	40	35 - 70	95 - 150	17
ATSC35 / 150B4	35 - 150	35 - 120	53	35 - 70	95 - 150	17
ATSC70 / 240B4	70 - 240	70 - 185	63	70 - 120	150 - 240	19
ATSC120 / 300B4	120 - 300	120 - 240	70	120 - 185	240 - 300	22
ATSC185 / 400B6	185 - 400	185 - 300	85	185 - 240	300 - 400	22
ATSC300 / 630B6	300 - 630	300 - 500	99	300 - 400	500 - 630	24
ATSC800 / 1000B8	800 - 1000	800	108			22



ATST1