

NOTES:

1. NO TREES OR FENCES ALLOWED WITHIN THE ROAD R/W OR UTILITY EASEMENT EXCEPT WHERE REQUIRED BY CITY, COUNTY, OR OTHER GOVERNMENT ORDINANCE.
2. ALL TREES SHALL BE CLEARED AND SHOULDERS GRADED WITHIN 6" OF FINAL GRADE (INCLUDING UTILITY EASEMENT) PRIOR TO THE INSTALLATION OF ANY UTILITIES.
3. UTILITY PLACEMENT SHALL REMAIN CONSISTENT FROM BACK OF CURB THROUGHOUT THE PROJECT REGARDLESS OF ANY INCONSISTENCIES IN ROAD CONSTRUCTION. EXAMPLES: STORM SEWERS, CULVERTS, CUL-DE-SACS, ETC...(EXCEPT CATV).
4. TOTAL CLEARED AND GRADED WIDTH TO BE 60' MINIMUM. ELECTRIC, GAS, TELEPHONE, AND CABLE TELEVISION.
5. PROPERTY CORNER REFERENCE SHALL BE PLACED ON CURB AND GUTTER AND ON 10' OFFSET STAKE.
6. ALL WATER DISTRIBUTION AND/OR SEWERAGE SYSTEM APPURTENANCES THAT WILL BE OWNED BY THE SCWA AND ARE NOT LOCATED IN A PUBLIC STREET RIGHT-OF-WAY SHALL BE LOCATED IN A PERMANENT EASEMENT OR DEEDED PROPERTY THAT HAS BEEN CONVEYED TO THE SCWA.
7. WATER METER BOXES SHALL BE LOCATED AT EDGE OF R/W. SEWER SERVICES SHALL BE STUBBED OUT AT EDGE OF R/W OR AT END OF UTILITY EASEMENT (AS APPLICABLE).
8. WATER LATERALS SHALL BE MARKED WITH A BLUE "W" ON CURB. SEWER LATERALS SHALL BE MARKED WITH A GREEN "X" ON CURB.
9. DEPTH REQUIREMENTS INDICATE MINIMUM DEPTH AT TIME OF INSTALLATION BELOW CURB LINE.
10. THIS STANDARD MAY BE COMBINED WITH GOVERNING ROADWAY JURISDICTION UTILITY PLACEMENT STANDARDS.
11. UTILITIES SHALL BE LOCATED WITHIN PLUS/MINUS 6" OF PLAN LOCATION.
12. PROVIDE CLEANOUT AT END OF UTILITY EASEMENT FOR EVERY SERVICE.
13. MAINTAIN MINIMUM 18" VERTICAL SEPARATION (ON ANY UTILITY) AT ALL CROSSINGS.
14. ALL SEWER BOXES WITHIN TRAFFIC / DRIVE AREAS SHALL BE RATED FOR H-20 LOAD CAPACITY.



SPALDING COUNTY WATER AUTHORITY

**RESIDENTIAL UTILITY PLACEMENT
FOR ROAD WITH 50' RIGHT-OF-WAY**

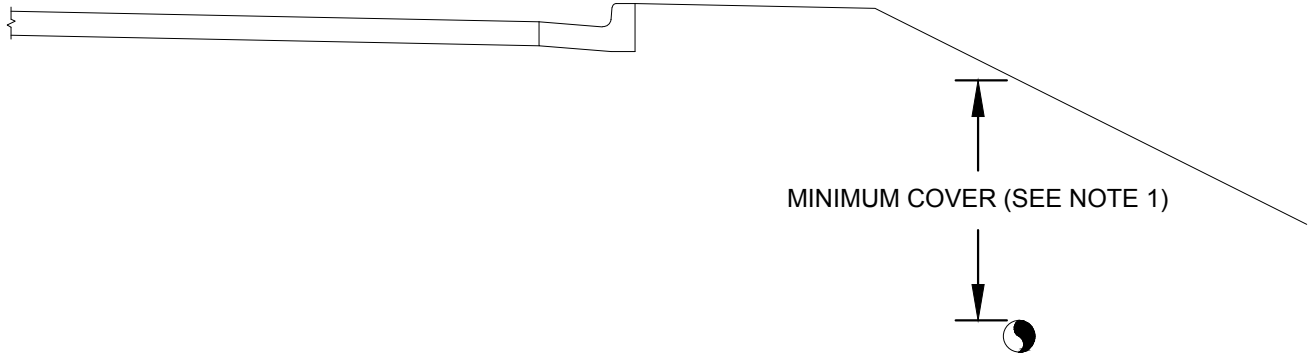
SPEC. DATE: 2024

REVISED: N/A

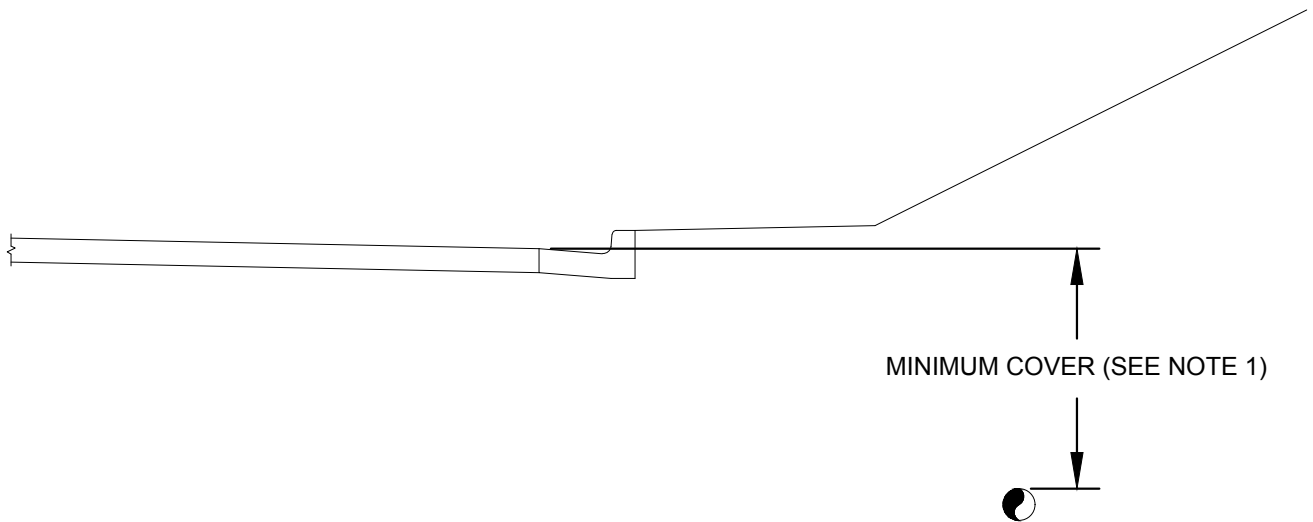
SCALE: N.T.S.

DETAIL NO.

S01




PIPE DEPTH WITH DECLINING GRADE
AT EDGE OF PAVEMENT

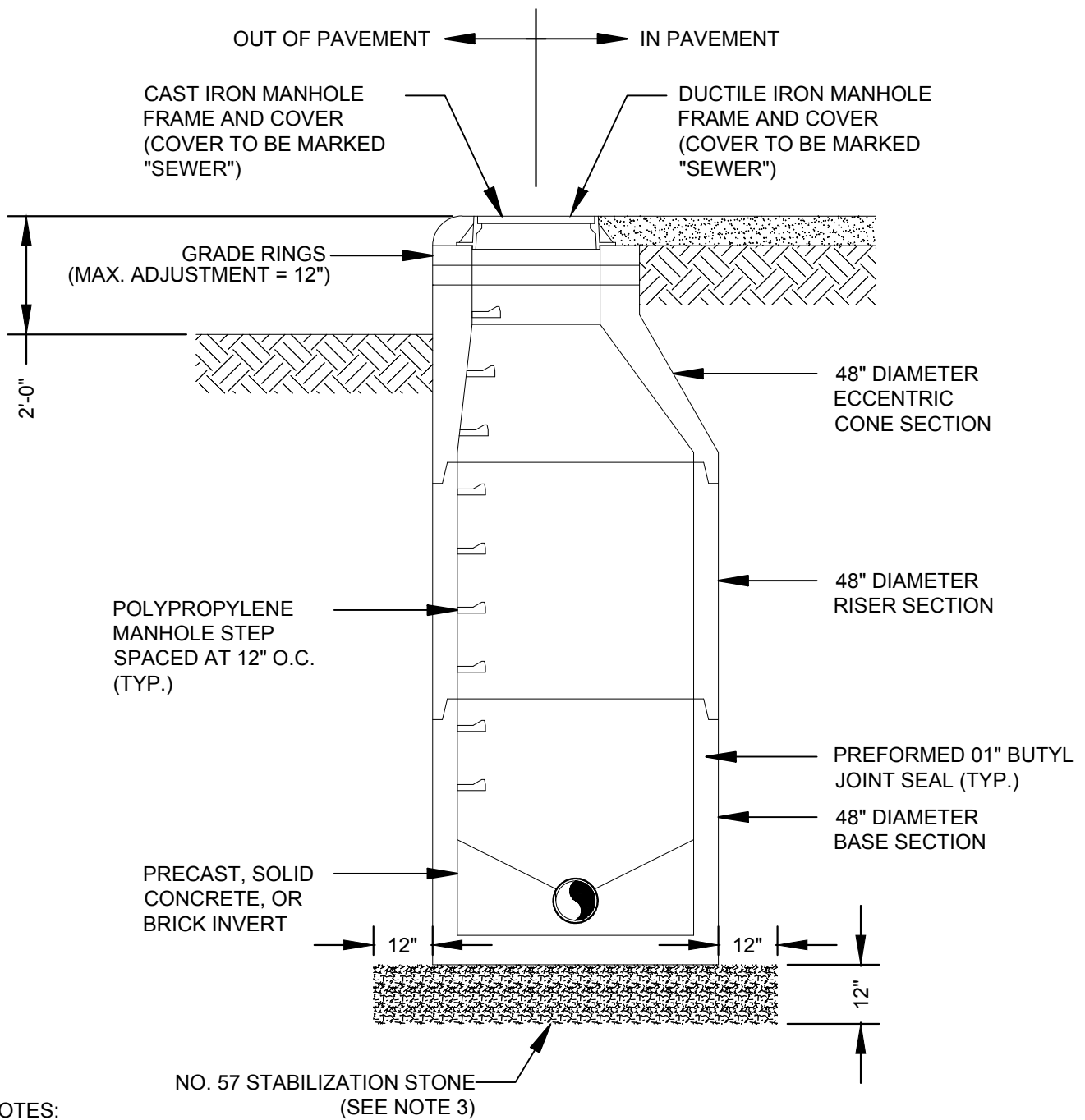


PIPE DEPTH WITH INCREASING GRADE
AT EDGE OF PAVEMENT

NOTES:


1. SANITARY SEWER GRAVITY MAINS SHALL HAVE A MINIMUM COVER OF 4'-0" AND SANITARY SEWER FORCE MAINS SHALL HAVE A MINIMUM COVER OF 5'-0" UNLESS OTHERWISE APPROVED BY SCWA.

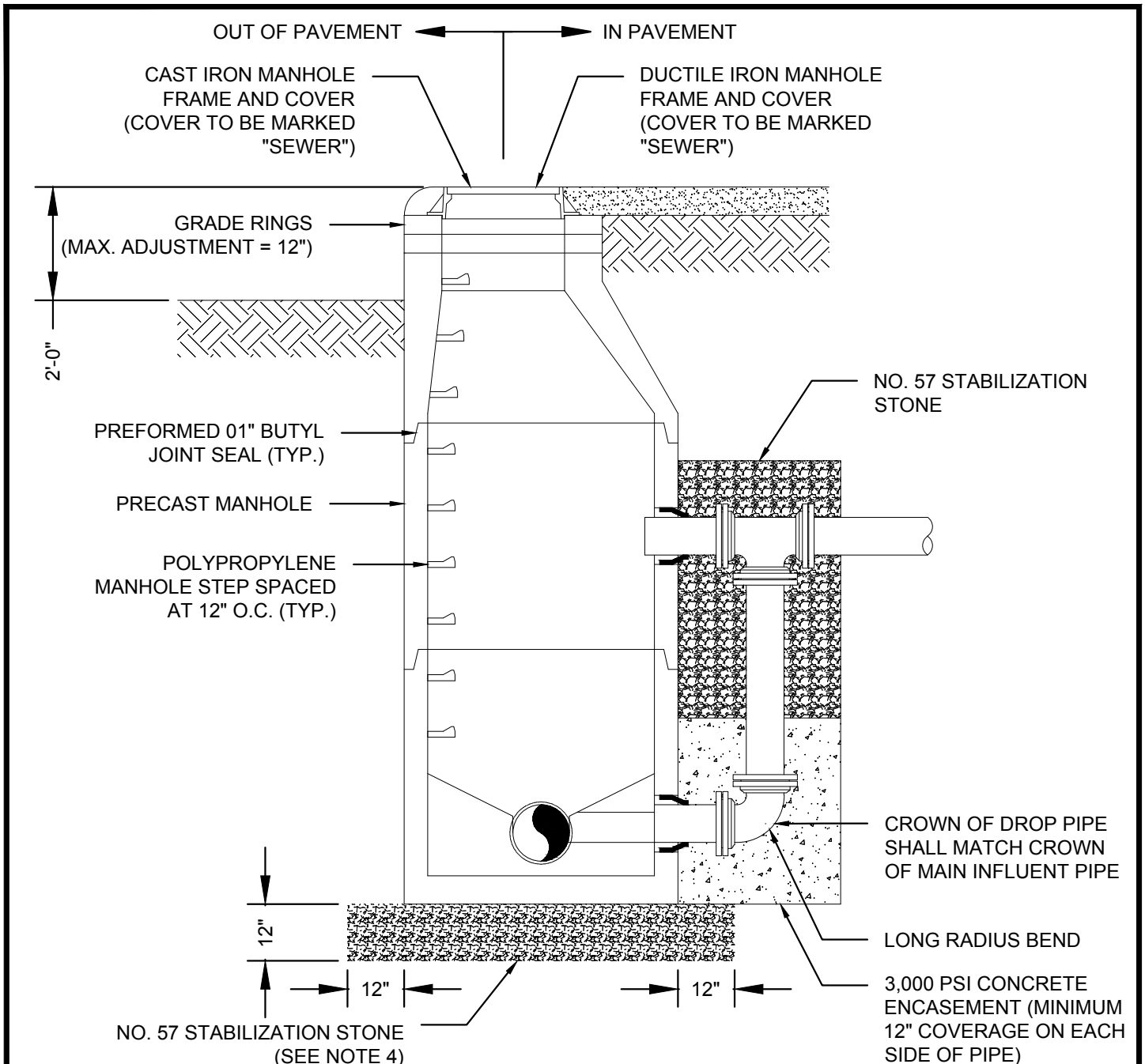
	SPALDING COUNTY WATER AUTHORITY	SPEC. DATE: 2024
	<h1 style="margin: 0;">PIPE DEPTH AT EDGE OF PAVEMENT</h1>	
	REVISIED: N/A	
	SCALE: N.T.S.	
		DETAIL NO. S02



NOTES:

1. MANHOLES LOCATED OUTSIDE OF PAVEMENT SHALL HAVE WATER TIGHT BOLT-DOWN LIDS AND 2 FEET ABOVE FINISHED GRADE WITH FRAME CAST INTO THE CONE SECTION.
2. MANHOLES SHALL HAVE A MINIMUM DROP OF 0.10 FEET FROM INFLUENT INVERT TO EFFLUENT INVERT.
3. IN DRIVEWAYS OR R/W COMPACT SUBGRADE TO 95% STANDARD PROCTOR / PROVIDE CONCRETE LEVELING PAD WHERE SOILS ARE POOR. IN YARDS, COMPACT SUBGRADE TO 90% STANDARD PROCTOR.

	SPALDING COUNTY WATER AUTHORITY	SPEC. DATE: 2024
	<h1>STANDARD SANITARY SEWER MANHOLE</h1>	REVISED: N/A
		SCALE: N.T.S.
		DETAIL NO. S03



NOTES:

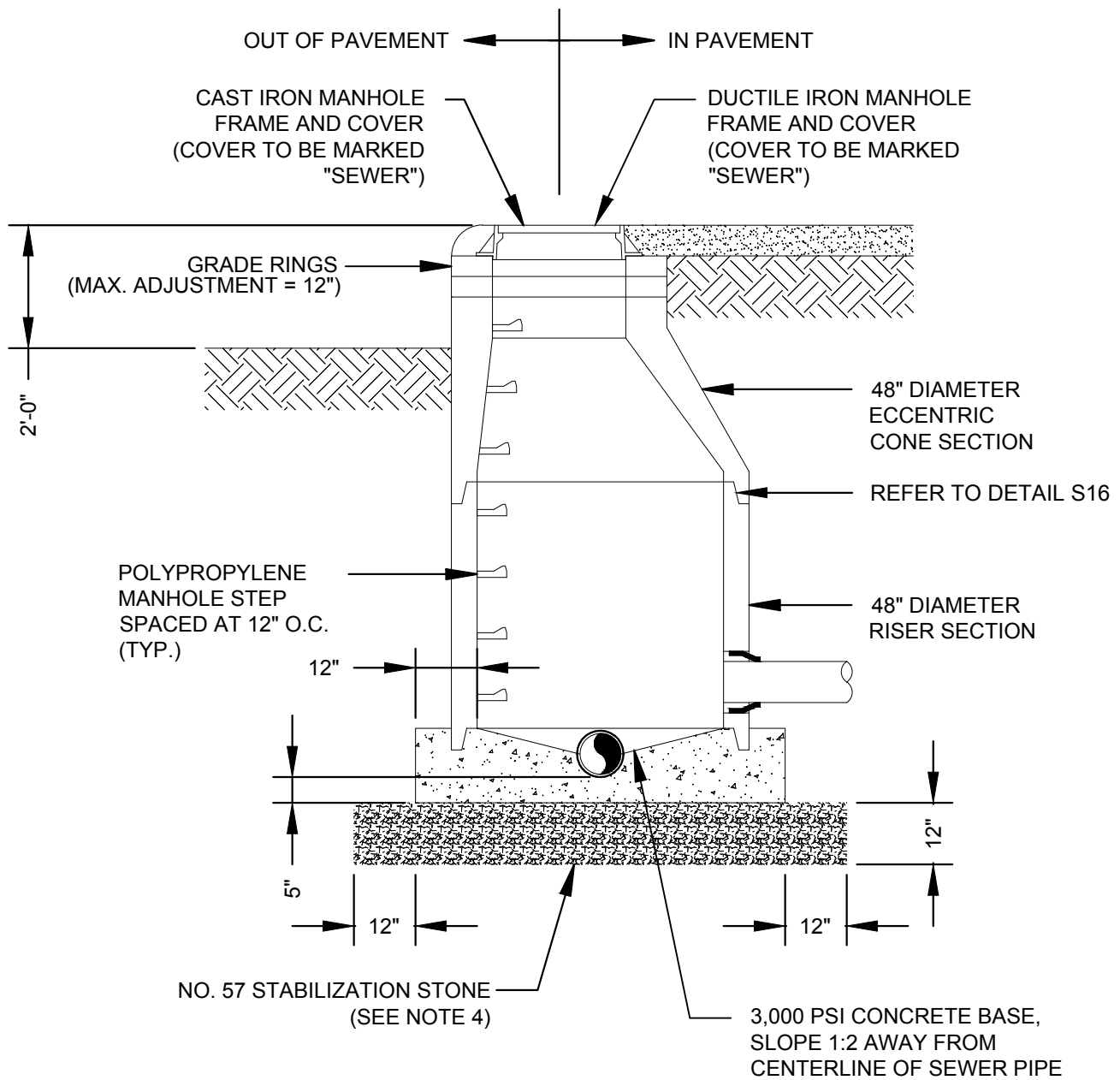
1. OUTSIDE DROPS REQUIRED WHEN INSIDE DROP IS GREATER THAN 2 FEET. (PIPED INSIDE DROP REQUIRED WHEN INSIDE DROP IS GREATER THAN 15 FEET)
2. MANHOLES LOCATED OUTSIDE OF PAVEMENT SHALL HAVE WATER TIGHT BOLT-DOWN LIDS AND 2 FEET ABOVE FINISHED GRADE WITH FRAME CAST INTO THE CONE SECTION.
3. PIPE ENCASED IN CONCRETE SHALL BE WRAPPED WITH MINIMUM 10 MIL PLASTIC.
4. IN DRIVEWAYS OR R/W COMPACT SUBGRADE TO 95% STANDARD PROCTOR / PROVIDE CONCRETE LEVELING PAD WHERE SOILS ARE POOR. IN YARDS, COMPACT SUBGRADE TO 90% STANDARD PROCTOR.



SPALDING COUNTY WATER AUTHORITY

SANITARY MANHOLE WITH OUTSIDE DROP

SPEC. DATE: 2024
REVISED: N/A
SCALE: N.T.S.
DETAIL NO. S04



NOTES:

1. ALL JOINTS AROUND EXISTING AND PROPOSED SEWER LINE SHALL BE GROUTED WATERTIGHT.
2. AFTER DOGHOUSE MANHOLE CONSTRUCTION IS COMPLETE, TOP HALF OF EXISTING SEWER LINE SHALL BE CUT OUT USING A METHOD APPROVED BY THE SCWA INSPECTOR.
3. MANHOLES LOCATED OUTSIDE OF PAVEMENT SHALL HAVE WATER TIGHT BOLT-DOWN LIDS AND 2 FEET ABOVE FINISHED GRADE WITH FRAME CAST INTO THE CONE SECTION.
4. IN DRIVEWAYS OR R/W COMPACT SUBGRADE TO 95% STANDARD PROCTOR / PROVIDE CONCRETE LEVELING PAD WHERE SOILS ARE POOR. IN YARDS, COMPACT SUBGRADE TO 90% STANDARD PROCTOR.



SPALDING COUNTY WATER AUTHORITY

SANITARY SEWER DOGHOUSE MANHOLE

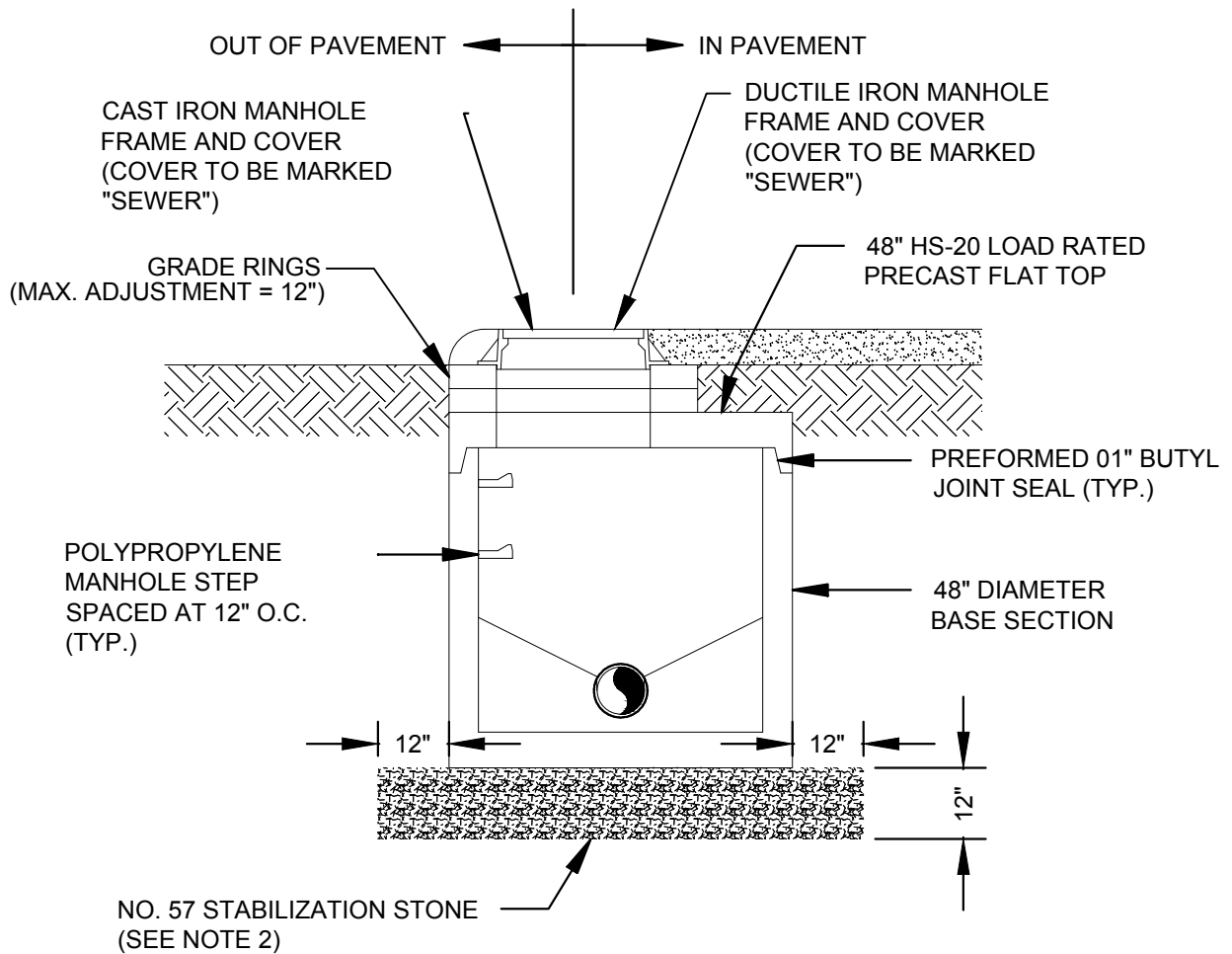
SPEC. DATE: 2024

REVISED: N/A

SCALE: N.T.S.

DETAIL NO.

S05



NOTES:

1. MANHOLES LOCATED OUTSIDE OF PAVEMENT SHALL HAVE WATER TIGHT BOLT-DOWN LIDS AND 2 FEET ABOVE FINISHED GRADE WITH FRAME CAST INTO THE CONE SECTION.
2. IN DRIVEWAYS OR R/W COMPACT SUBGRADE TO 95% STANDARD PROCTOR / PROVIDE CONCRETE LEVELING PAD WHERE SOILS ARE POOR. IN YARDS, COMPACT SUBGRADE TO 90% STANDARD PROCTOR.



SPALDING COUNTY WATER AUTHORITY

**SHALLOW SANITARY
SEWER MANHOLE**

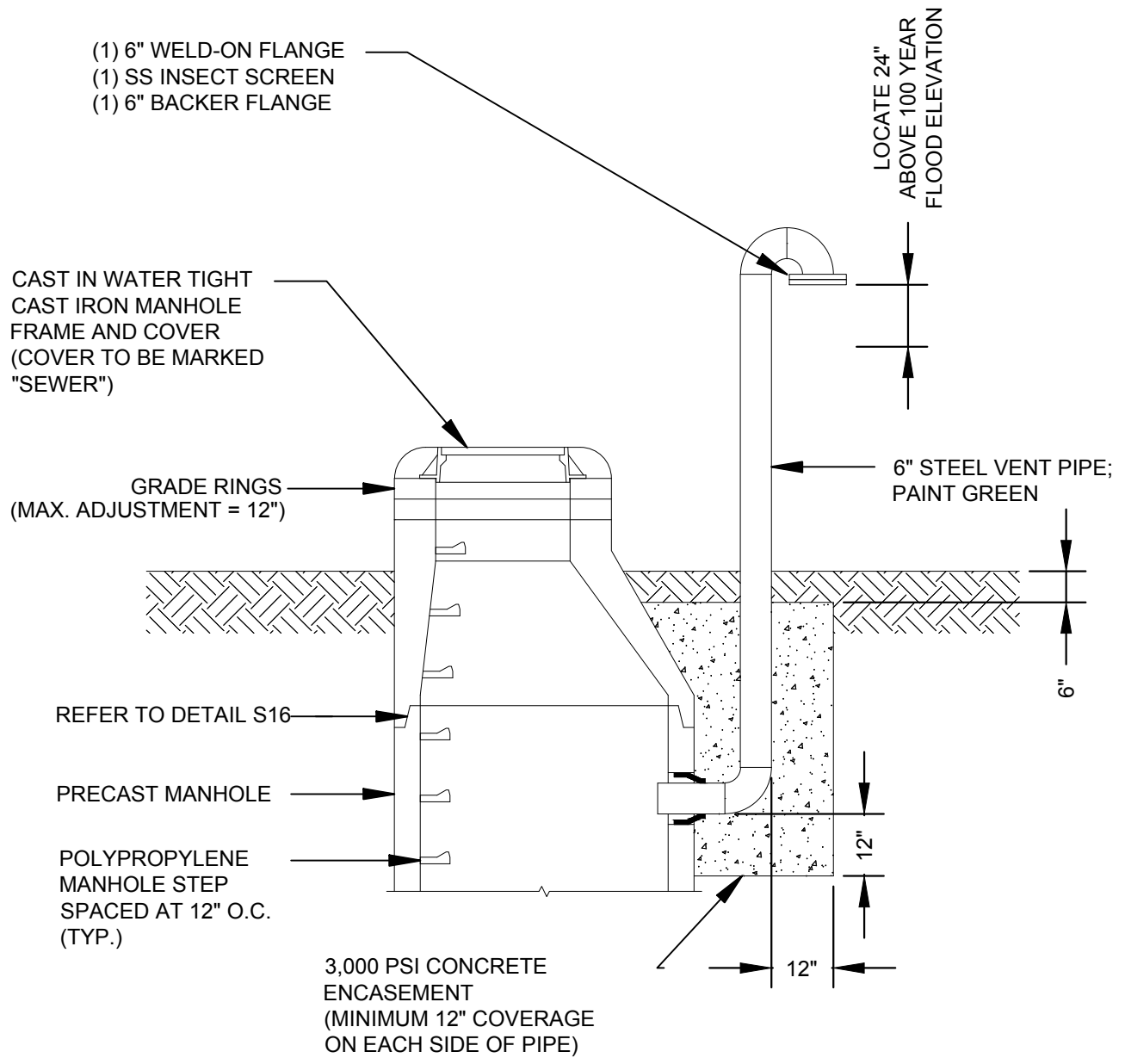
SPEC. DATE: 2024

REVISED: N/A

SCALE: N.T.S.

DETAIL NO.

S06



NOTES:

- MANHOLES LOCATED OUTSIDE OF PAVEMENT SHALL HAVE WATER TIGHT BOLT-DOWN LIDS AND 2 FEET ABOVE FINISHED GRADE WITH FRAME CAST INTO THE CONE SECTION.



SPALDING COUNTY WATER AUTHORITY

**SANITARY SEWER
MANHOLE VENT**

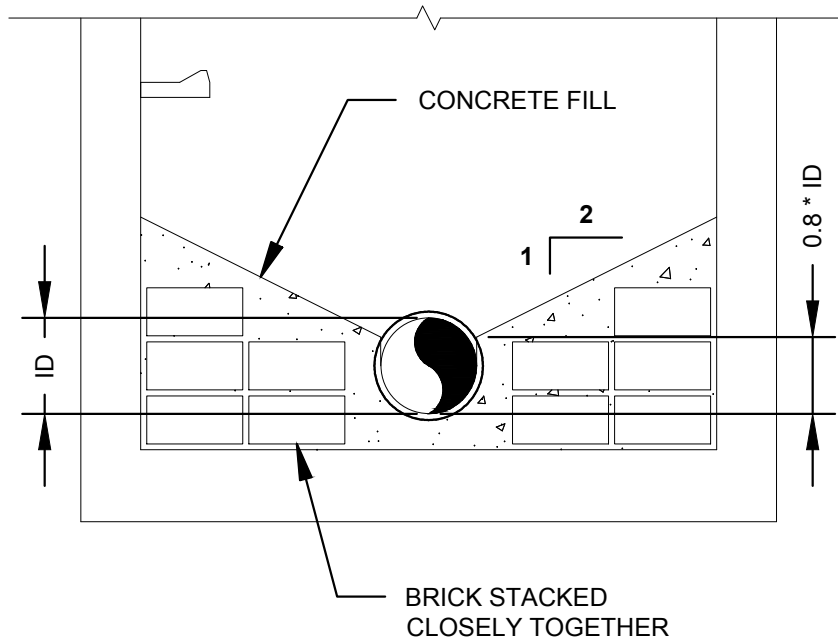
SPEC. DATE: 2024

REVISED: N/A

SCALE: N.T.S.

DETAIL NO.

S07



NOTES:

1. CONCRETE FILL SHALL BE 3 PARTS SAND TO 1 PART CEMENT.
2. BRICK SHALL BE COMMON SMOOTH RED BRICK.
3. PROVIDE A MINIMUM OF 2" OF COVER OVER BRICK.



SPALDING COUNTY WATER AUTHORITY

**STANDARD
MANHOLE INVERT**

SPEC. DATE: 2024

REVISED: N/A

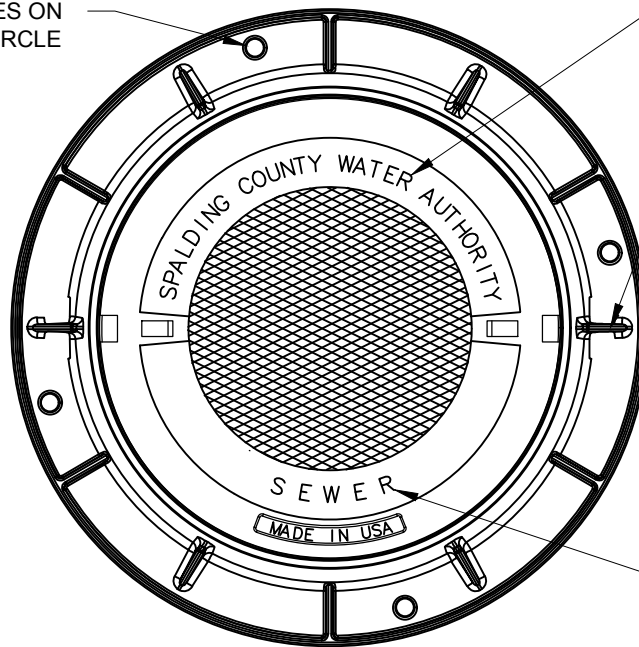
SCALE: N.T.S.

DETAIL NO.

S08

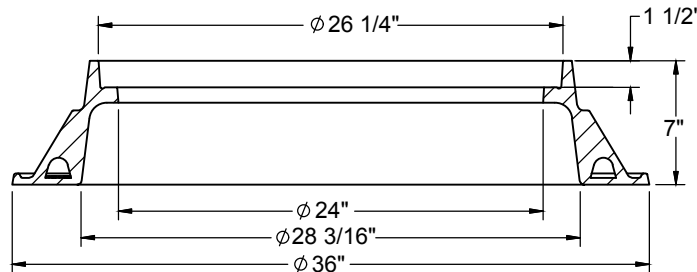
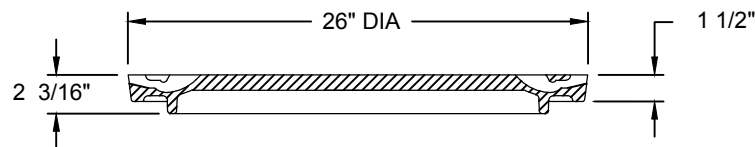
(4) ϕ 1" BOLT HOLES ON
32 3/4" DIA BOLT CIRCLE

3/4" SHARP FACE
GOTHIC



(2) LIFT SLOT CORES

3/4" SHARP FACE
GOTHIC



NOTES:

1. MANHOLE FRAME AND COVER SHALL BE:
 - CAST IRON - FOR GENERAL MANHOLE LID APPLICATIONS
 - COVER: EAST JORDAN IRON WORKS PRODUCT NUMBER: 001040734 OR SCWA APPROVED EQUAL
 - FRAME: EAST JORDAN IRON WORKS PRODUCT NUMBER: 00104511 OR SCWA APPROVED EQUAL
 - HEAVY DUTY DUCTILE IRON - FOR TRAFFIC RATED MANHOLE LID APPLICATIONS
 - COVER: EAST JORDAN IRON WORKS PRODUCT NUMBER: 00190595 OR SCWA APPROVED EQUAL
 - FRAME: EAST JORDAN IRON WORKS PRODUCT NUMBER: 00104511 OR SCWA APPROVED EQUAL
 - COMPOSITE - FOR CORROSION RESISTANT MANHOLE LID APPLICATIONS
 - COVER: EAST JORDAN IRON WORKS PRODUCT NUMBER: COM104098 OR SCWA APPROVED EQUAL
 - FRAME: EAST JORDAN IRON WORKS PRODUCT NUMBER: COM104098 OR SCWA APPROVED EQUAL
2. BEARING SURFACES SHALL BE MACHINED.



SPALDING COUNTY WATER AUTHORITY

**STANDARD SANITARY
SEWER MANHOLE LID**

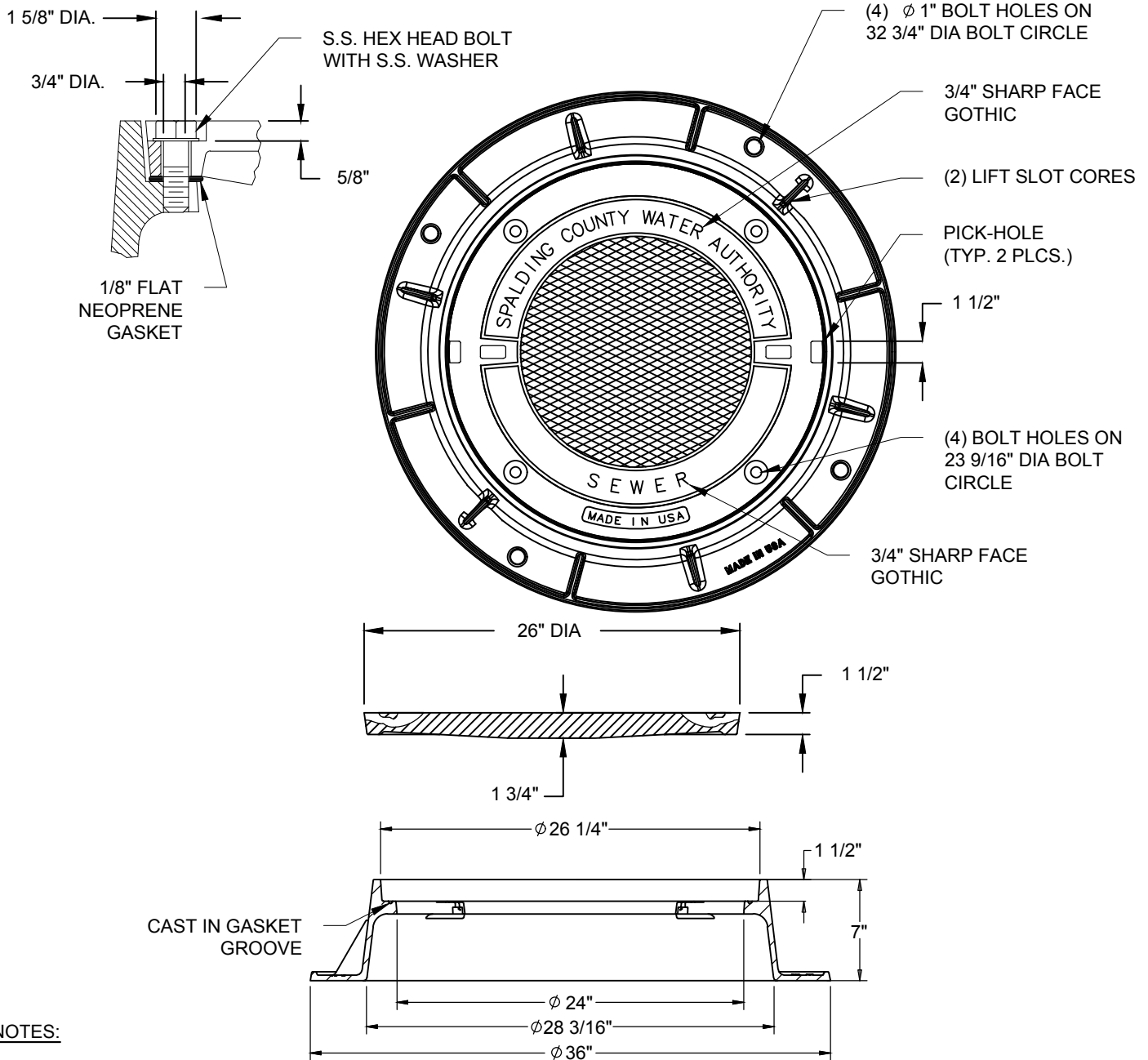
SPEC. DATE: 2024

REVISED: N/A

SCALE: N.T.S.

DETAIL NO.

S09



NOTES:

1. MANHOLE FRAME AND COVER SHALL BE:
 - CAST IRON - FOR GENERAL MANHOLE LID APPLICATIONS
 - COVER: EAST JORDAN IRON WORKS PRODUCT NUMBER: 001040735 OR SCWA APPROVED EQUAL
 - FRAME: EAST JORDAN IRON WORKS PRODUCT NUMBER: 00104512 OR SCWA APPROVED EQUAL
 - HEAVY DUTY DUCTILE IRON - FOR TRAFFIC RATED MANHOLE LID APPLICATIONS
 - COVER: EAST JORDAN IRON WORKS PRODUCT NUMBER: 00190596 OR SCWA APPROVED EQUAL
 - FRAME: EAST JORDAN IRON WORKS PRODUCT NUMBER: 00104512 OR SCWA APPROVED EQUAL
 - COMPOSITE - FOR CORROSION RESISTANT MANHOLE LID APPLICATIONS
 - COVER: EAST JORDAN IRON WORKS PRODUCT NUMBER: COM104098 OR SCWA APPROVED EQUAL
 - FRAME: EAST JORDAN IRON WORKS PRODUCT NUMBER: COM104098 OR SCWA APPROVED EQUAL
2. BEARING SURFACES SHALL BE MACHINED.



SPALDING COUNTY WATER AUTHORITY

**WATERTIGHT SANITARY
SEWER MANHOLE LID**

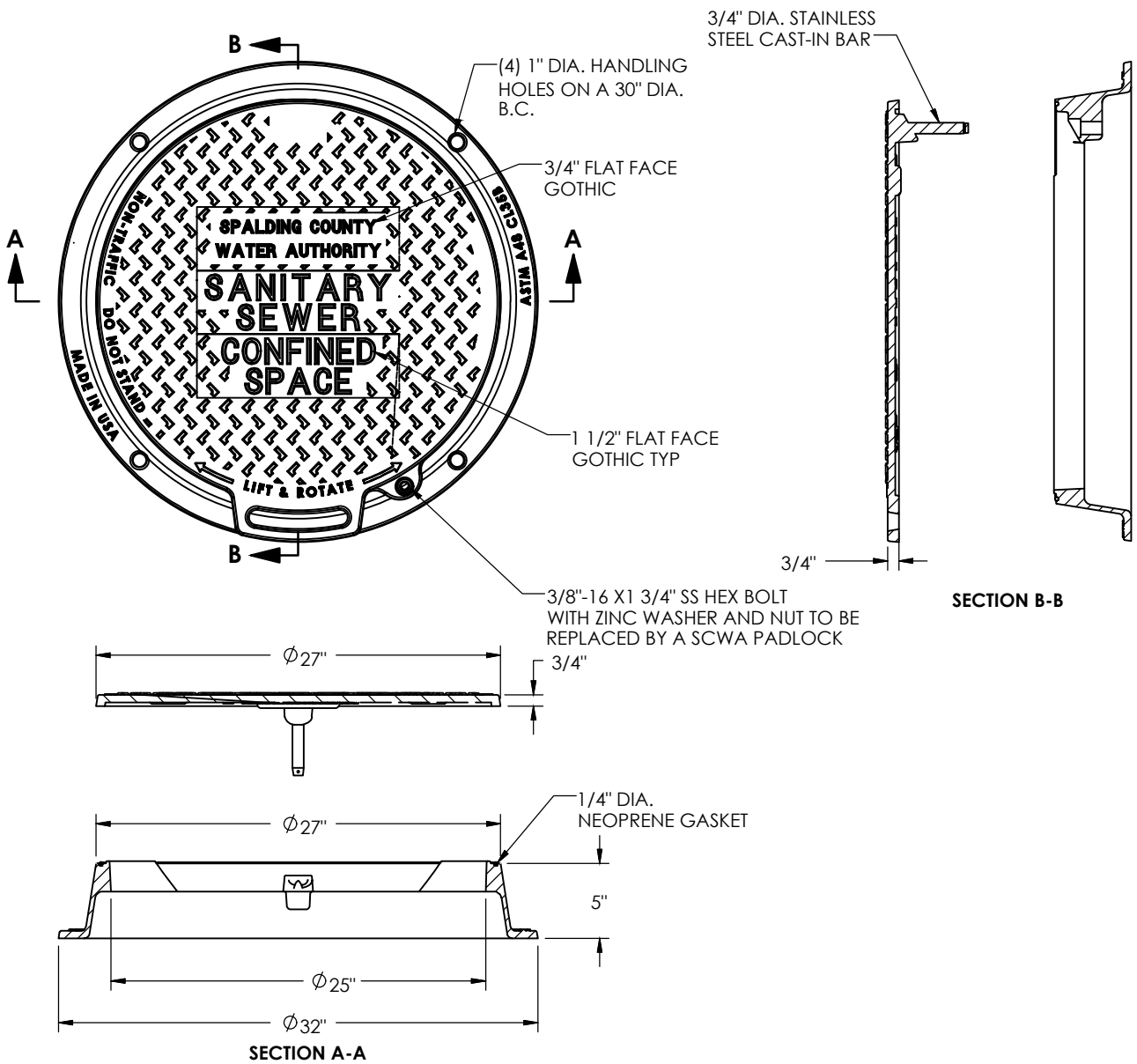
SPEC. DATE: 2024

REVISED: N/A

SCALE: N.T.S.

DETAIL NO.

S10



NOTES:

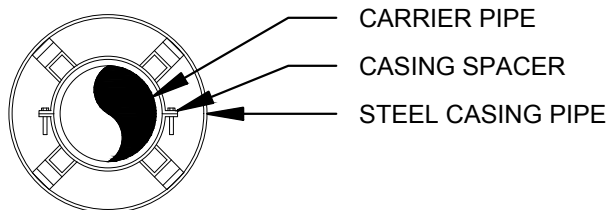
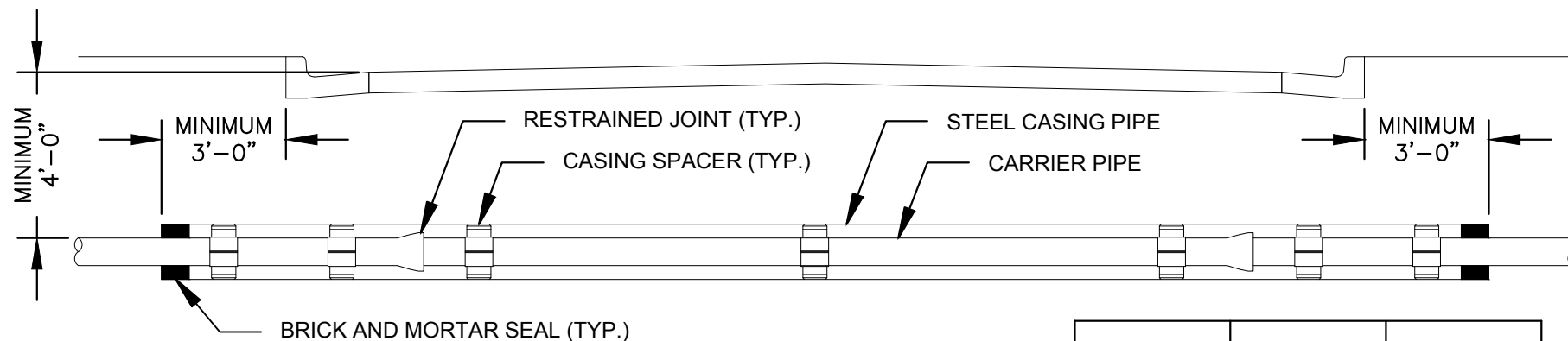
1. MANHOLE LIDS WITH RIM ELEVATIONS 3 FEET OR MORE ABOVE FINAL GRADE SHALL UTILIZE ARTICULATING COVER.
2. ARTICULATING MANHOLE FRAME AND COVER SHALL BE:
-EAST JORDAN IRON WORKS PRODUCT NUMBER: NPR25-001917-03726 OR SCWA APPROVED EQUAL.



SPALDING COUNTY WATER AUTHORITY

ARTICULATING SANITARY SEWER MANHOLE LID

SPEC. DATE: 2024
REVISED: N/A
SCALE: N.T.S.
DETAIL NO. S11



CARRIER PIPE NOMINAL DIAMETER (IN)	CASING PIPE NOMINAL DIAMETER (IN)	CASING PIPE THICKNESS (IN)
8	16	0.2500
10	18	0.2500
12	20	0.3130
16	26	0.3750
20	30	0.4380
24	36	0.5000
30	42	0.5000
36	48	0.6250
42	54	0.7500

NOTES:

1. JOINTS INSIDE CASING PIPE SHALL BE RESTRAINED.
2. PROVIDE A MINIMUM OF 3 CASING SPACERS PER JOINT OF PIPE.
3. ENDS OF CASING PIPE SHALL BE SEALED WITH 8" BRICK AND CEMENT MORTAR.
4. ALL COUNTY ROAD CROSSINGS SHALL BE INSTALLED IN ACCORDANCE WITH SPALDING COUNTY DOT STANDARDS AND PERMIT REQUIREMENTS.
5. ALL STATE HIGHWAY CROSSINGS SHALL BE INSTALLED IN ACCORDANCE WITH GEORGIA DOT STANDARDS AND PERMIT REQUIREMENTS.
6. ALL RAILROAD CROSSINGS SHALL BE INSTALLED IN ACCORDANCE WITH AMERICAN RAILWAY ENGINEERING ASSOCIATION REGULATIONS AND IN ACCORDANCE WITH PERMIT REQUIREMENTS.



SPALDING COUNTY WATER AUTHORITY

TYPICAL JACK AND BORE DETAIL

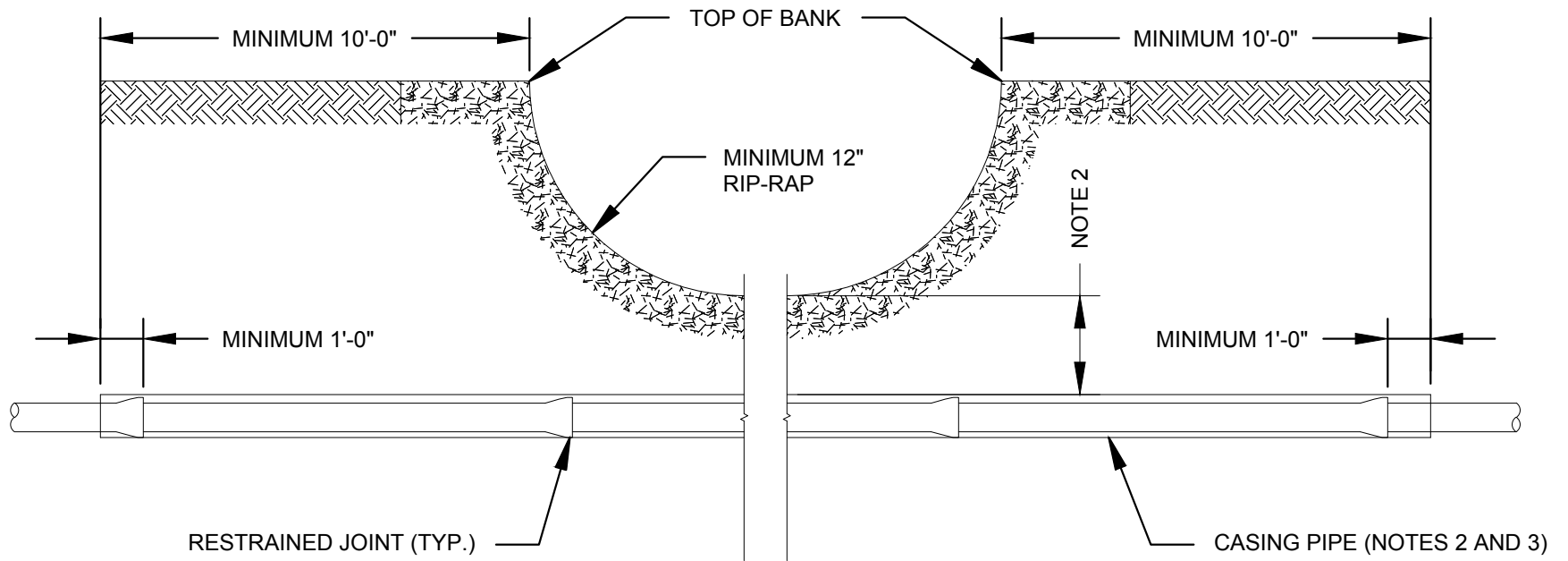
SPEC. DATE: 2024

REVISED: N/A

SCALE: N.T.S.

DETAIL NO.

S12



NOTES:

1. MINIMUM DEPTH OF COVER SHALL BE 12 INCHES.
2. REFER TO DETAIL S12 FOR GRAVITY SEWER AND PS25 FOR FORCE MAIN CASING DIAMETERS.
3. STONE RIP-RAP SHALL HAVE A MINIMUM LENGTH OF 5 FEET UPSTREAM AND DOWNSTREAM FROM CENTERLINE OF PIPE ALONG CREEK BED; ACTUAL SIZE AND LENGTH SHALL BE DETERMINED BASED ON HYDRAULIC CALCULATIONS.



SPALDING COUNTY WATER AUTHORITY

CREEK CROSSING

SPEC. DATE: 2024

REVISED: N/A

SCALE: N.T.S.

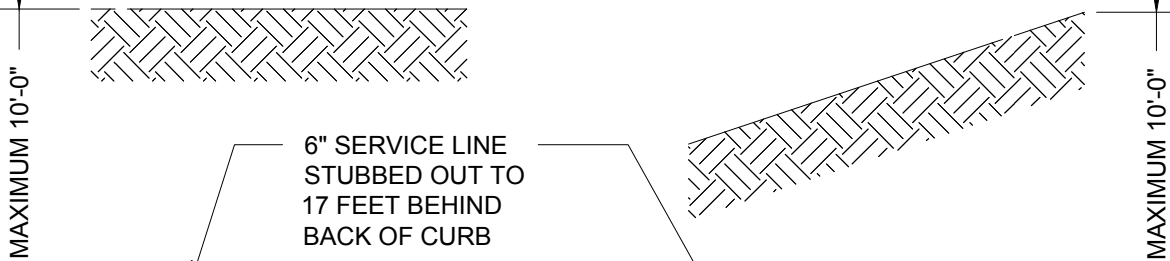
DETAIL NO.

S13

PROVIDE
CLEAN-OUT
PER S15

PROVIDE
CLEAN-OUT
PER S15

LOCATE CLEANOUT AT EDGE OF R/W OR AT
END OF UTILITY EASEMENT (AS APPLICABLE)



6" SERVICE LINE
STUBBED OUT TO
17 FEET BEHIND
BACK OF CURB

MINIMUM 4" NO. 57
STABILIZATION STONE

LONG
RADIUS
BEND

MINIMUM 4" NO. 57
STABILIZATION STONE

SERVICE LINE (NOTE 1)
(ONE CONTINUOUS PIECE)

GASKETED WYE OR
INSERTA TEE/ FACTORY
SADDLE WYE SET AT 45°
WITH THE FLOW

SERVICE LINE (NOTE 1)
(ONE CONTINUOUS PIECE)
GASKETED WYE OR
INSERTA TEE / FACTORY
SADDLE WYE SET AT 45°
WITH THE FLOW

GRAVITY
SEWER MAIN

LONG
RADIUS
BEND

GRAVITY
SEWER MAIN

SHALLOW SLOPES

STEEP SLOPES

NOTES:

1. ACCEPTABLE USE OF SERVICE LINE MATERIAL WITH RESPECT TO DEPTH OF PIPE BURIAL SHALL BE VERIFIED BY THE DEVELOPER'S DESIGN PROFESSIONAL.
2. SERVICE LINES SHALL BE STUBBED OUT TO R/W OR BACK OF UTILITY EASEMENT (AS APPLICABLE) AND SHALL BE NO MORE THAN 10 FEET DEEP.
3. FITTINGS SHALL BE RESTRAINED.
4. SERVICE LINE SHALL BE PLUGGED WITH A WATERTIGHT CAP.



SPALDING COUNTY WATER AUTHORITY

**SERVICE LATERAL FOR
SEWER LINES 16 FEET
DEEP AND GREATER**

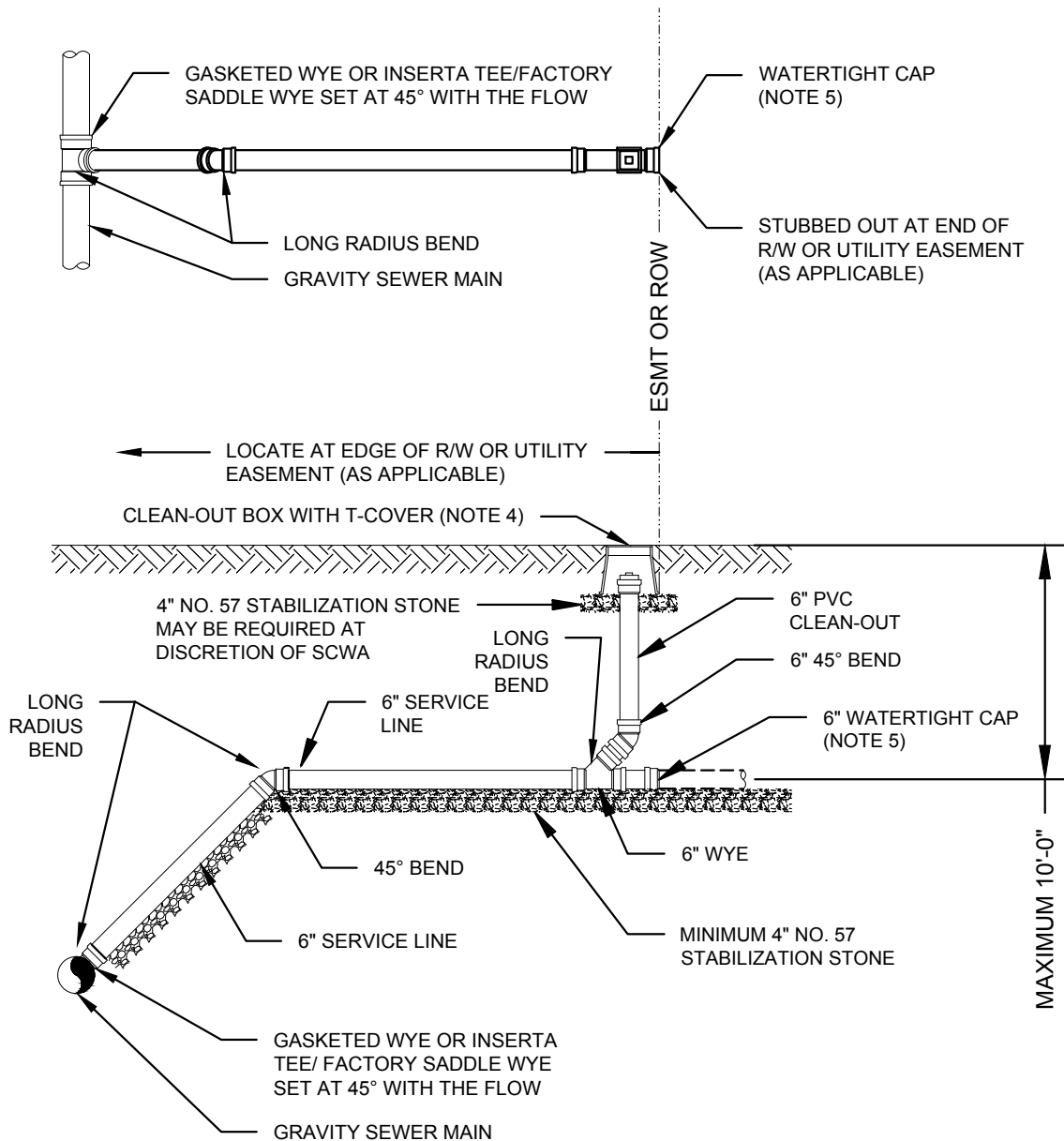
SPEC. DATE: 2024

REVISED: N/A

SCALE: N.T.S.

DETAIL NO.

S14



NOTES:

1. A SEWER TAP INSPECTION IS REQUIRED BY SCWA.
2. SERVICE LINES HAVING LESS THAN 5 FEET OF COVER MATERIAL SHALL BE SPECIFIED BY SCWA.
3. SERVICE LINES SHALL BE STUBBED OUT TO R/W OR BACK OF UTILITY EASEMENT (AS APPLICABLE) AND SHALL BE NO MORE THAN 10 FEET DEEP.
4. CLEAN-OUT COVER SHALL HAVE "SCWA SEWER" EMBOSSED ON LID AND BE FLUSH WITH FINISHED GRADE.
5. A WATER TIGHT CAP SHALL BE INSTALLED ON THE END OF THE LINE.
6. PLUMBING CONTRACTOR SHALL TIE ON TO SERVICE LINE USING STANDARD PVC FITTINGS OR FERNCO FITTING.



SPALDING COUNTY WATER AUTHORITY

**SANITARY SEWER
SERVICE LINE AND
CLEAN-OUT CONNECTION**

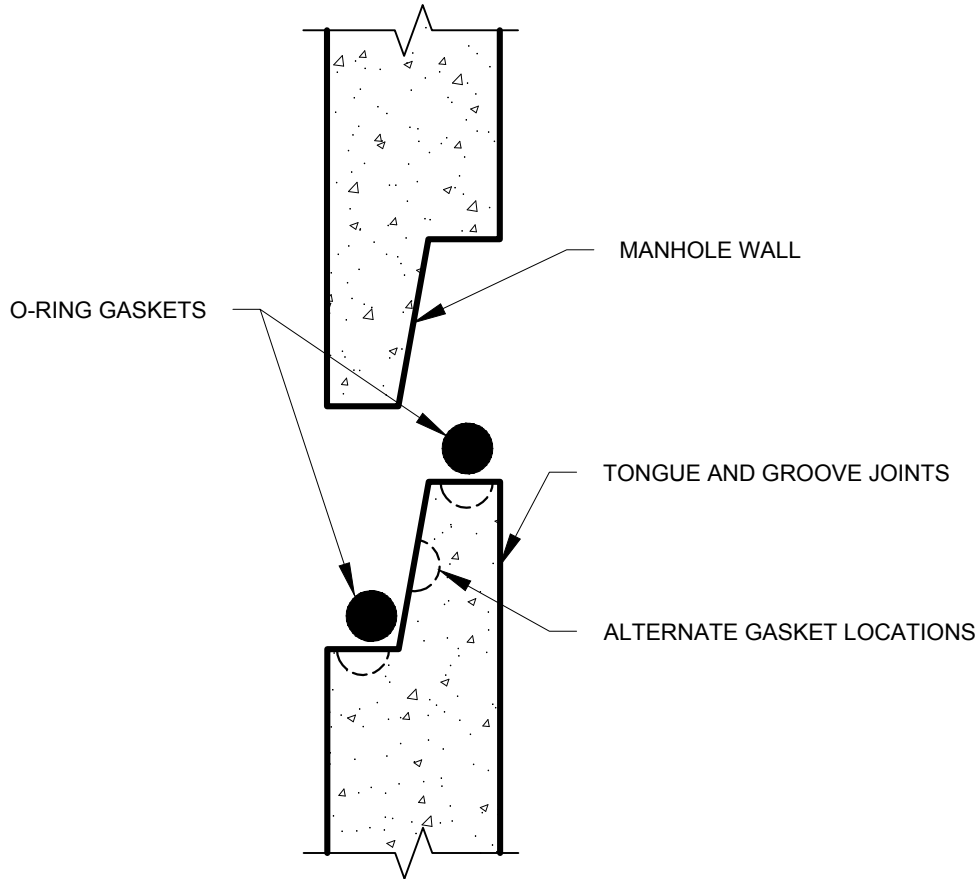
SPEC. DATE: 2024

REVISED: N/A

SCALE: N.T.S.


DETAIL NO.

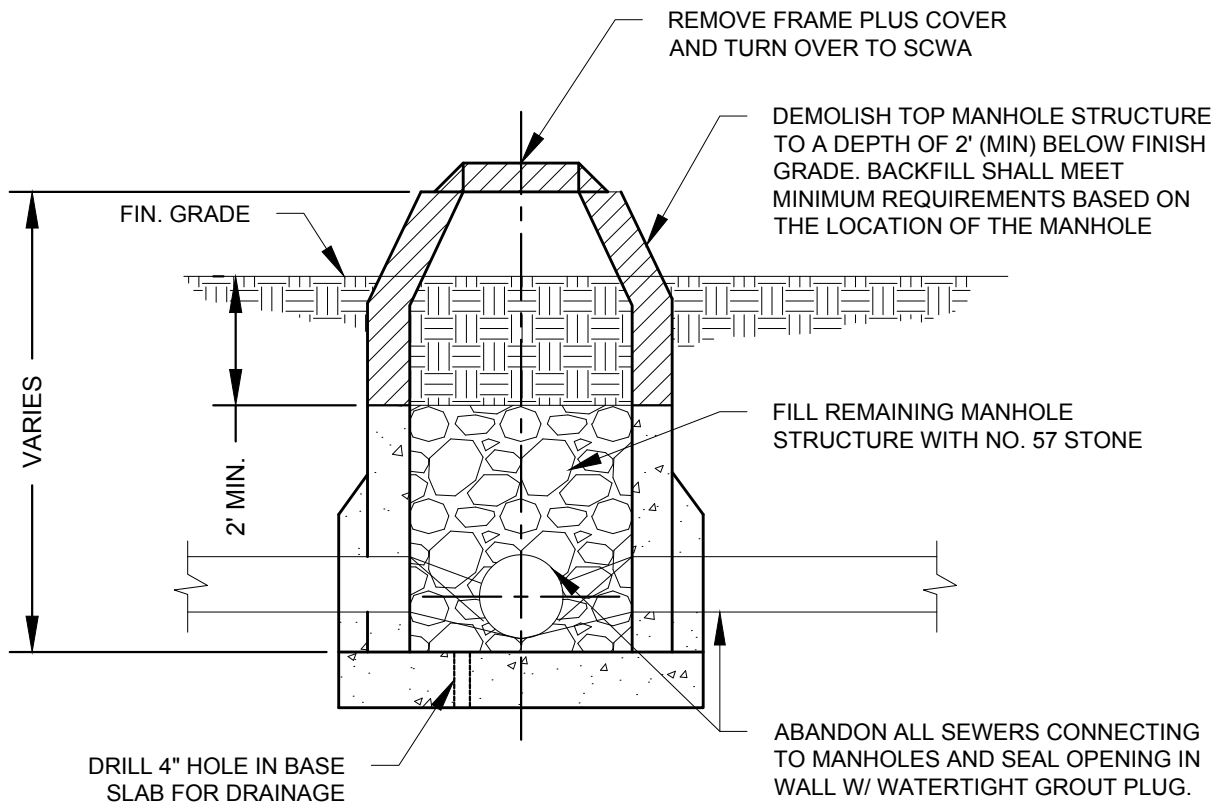
S15



NOTES:

1. AFTER INSTALLATION JOINTS SHALL BE GROUTED SMOOTH WITH CEMENT GROUT ON INSIDE AND OUT.
2. AN EXTERNAL WRAP SUCH AS INFI-SHIELD GATOR WRAP OR EQUAL SHALL SEAL EACH OUTSIDE JOINT.

	SPALDING COUNTY WATER AUTHORITY	SPEC. DATE: 2024
	<h1>MANHOLE JOINT DETAIL WITH JOINT WRAP</h1>	REVISED: N/A
		SCALE: N.T.S.
		DETAIL NO. <h2>S16</h2>



SPALDING COUNTY WATER AUTHORITY

SPEC. DATE: 2024

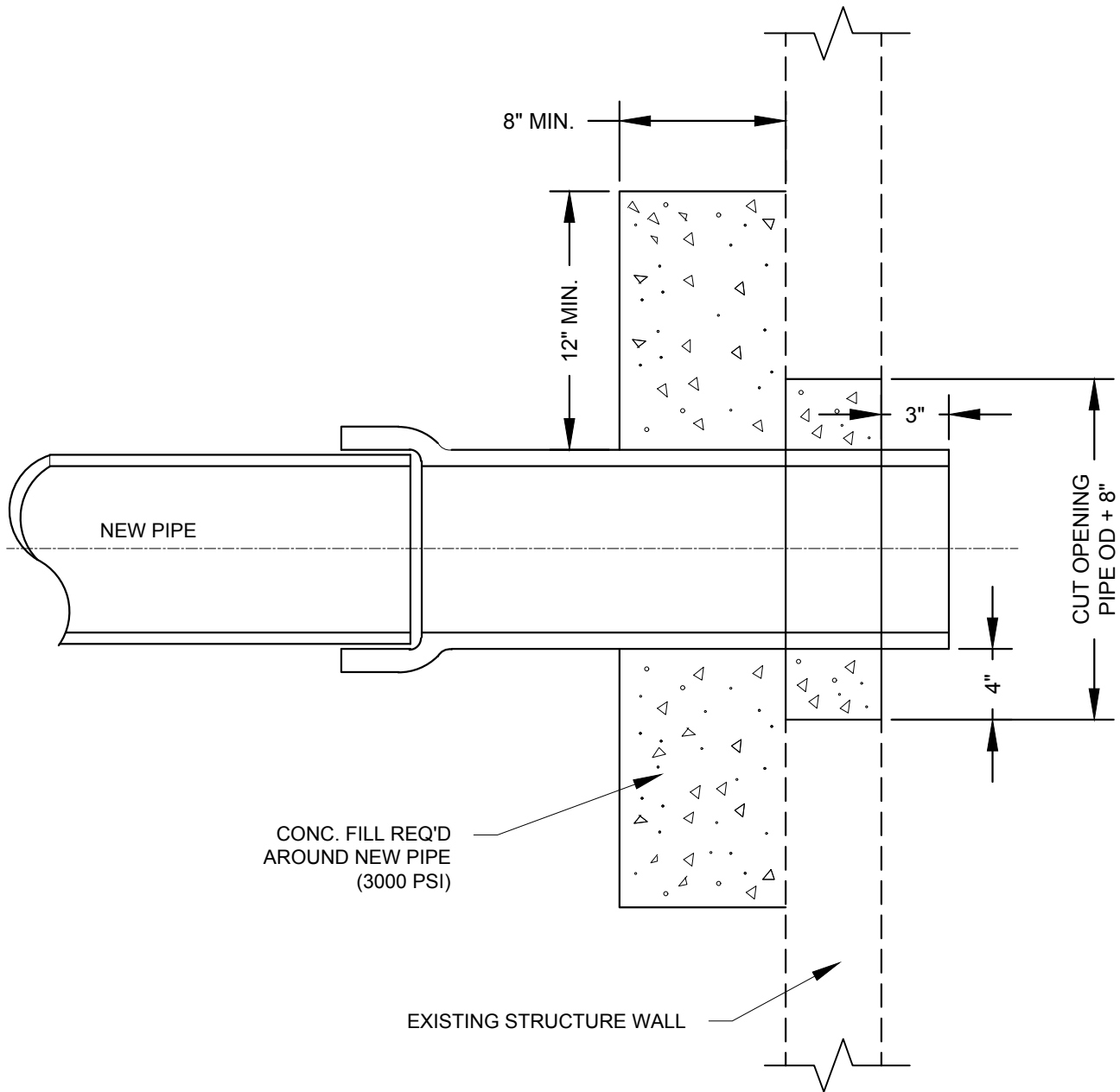
REVISED: N/A

SCALE: N.T.S.

METHOD OF MANHOLE ABANDONMENT

DETAIL NO.

S17



SPALDING COUNTY WATER AUTHORITY

**NEW LINE CONNECTION TO
AN EXISTING STRUCTURE**

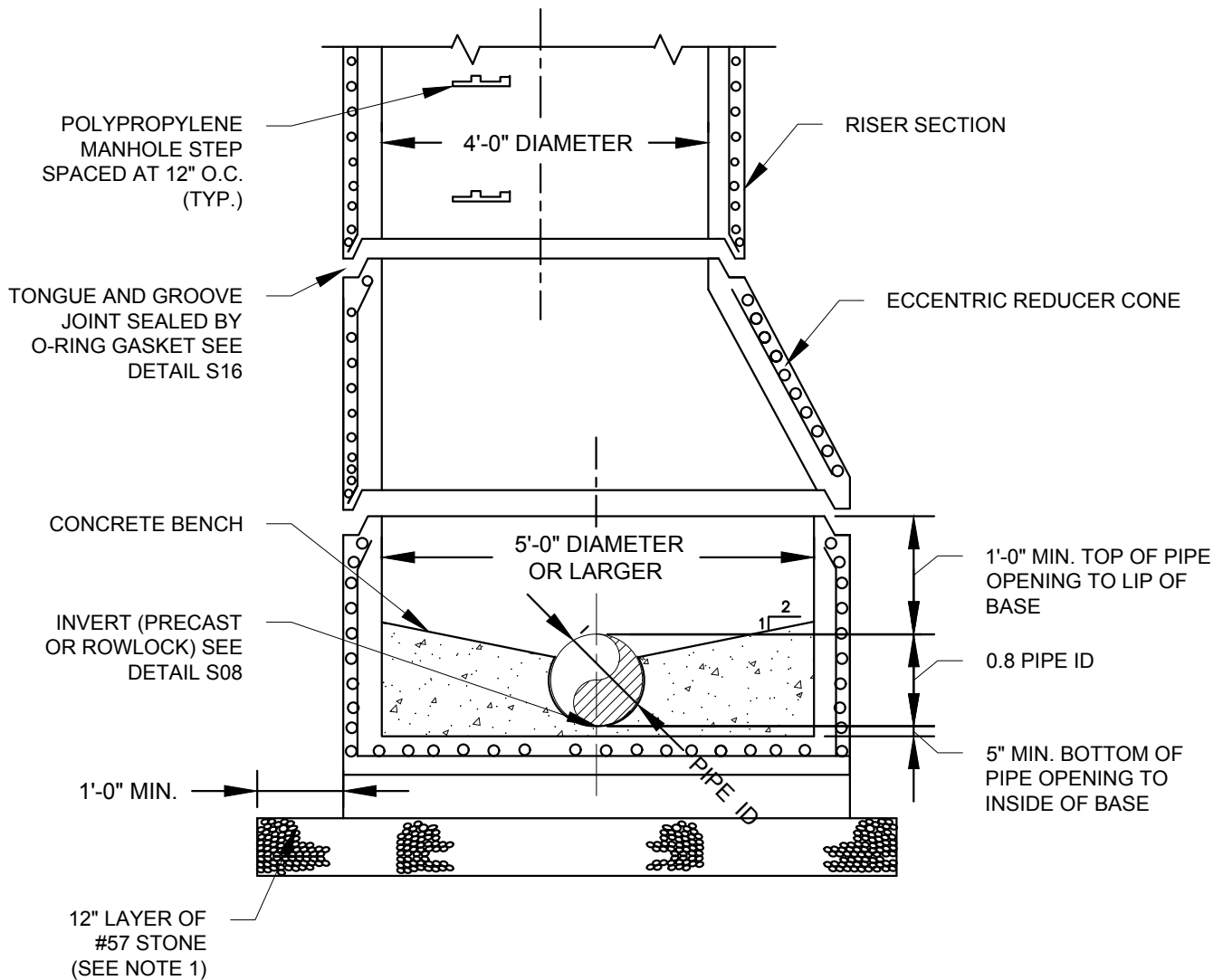
SPEC. DATE: 2024

REVISED: N/A

SCALE: N.T.S.

DETAIL NO.

S18



NOTES:

1. IN DRIVEWAYS OR R/W COMPACT SUBGRADE TO 95% STANDARD PROCTOR / PROVIDE CONCRETE LEVELING PAD WHERE SOILS ARE POOR. IN YARDS, COMPACT SUBGRADE TO 90% STANDARD PROCTOR.



SPALDING COUNTY WATER AUTHORITY

**LARGE DIAMETER
MANHOLE BASE
(ECCENTRIC) DETAIL**

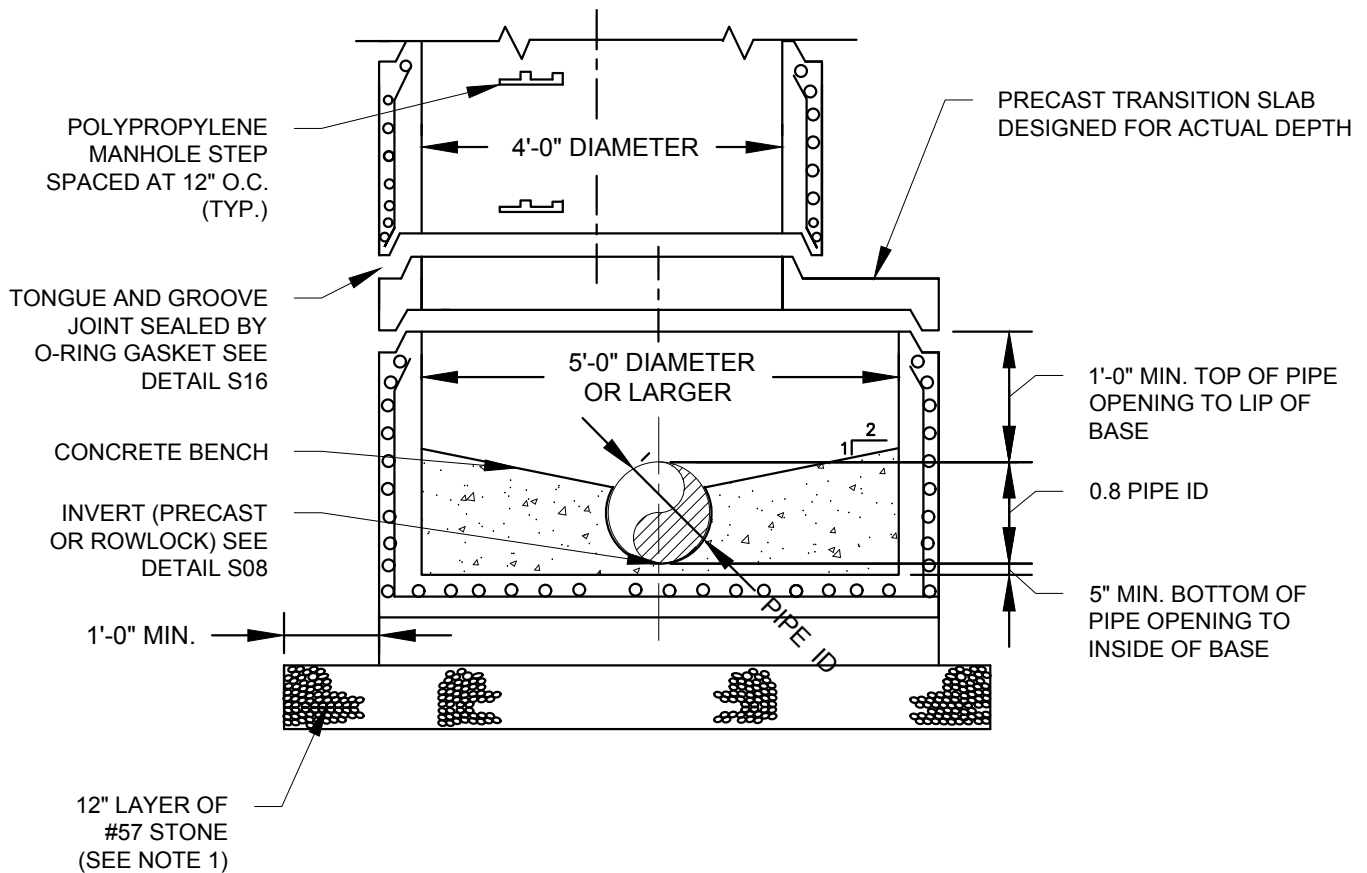
SPEC. DATE: 2024

REVISED: N/A

SCALE: N.T.S.

DETAIL NO.

S19



NOTES:

1. IN DRIVEWAYS OR R/W COMPACT SUBGRADE TO 95% STANDARD PROCTOR / PROVIDE CONCRETE LEVELING PAD WHERE SOILS ARE POOR. IN YARDS, COMPACT SUBGRADE TO 90% STANDARD PROCTOR.



SPALDING COUNTY WATER AUTHORITY

**LARGE DIAMETER
MANHOLE TRANSITION
BASE DETAIL**

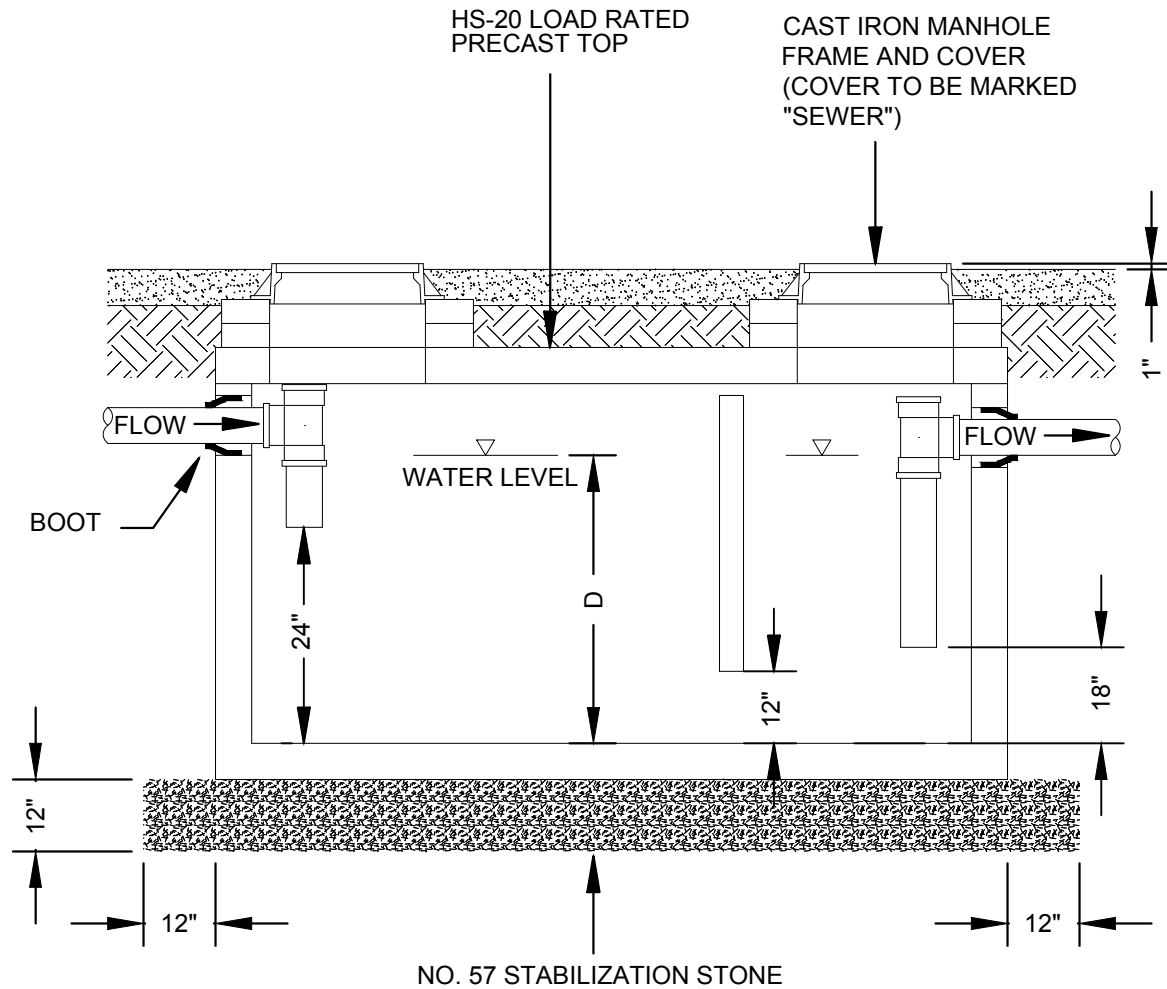
SPEC. DATE: 2024

REVISED: N/A

SCALE: N.T.S.

DETAIL NO.

S20



NOTES:

1. GREASE INTERCEPTOR SHALL HAVE A MINIMUM CAPACITY OF 1,500 GALLONS AND A MAXIMUM CAPACITY OF 3,000 GALLONS. IF REQUIRED CAPACITY IS GREATER THAN 3,000 GALLONS, MULTIPLE GREASE INTERCEPTORS SHALL BE USED.
2. CONCRETE DESIGN STRENGTH SHALL BE 4,000 PSI @ 28 DAYS.
3. GREASE INTERCEPTOR SHALL BE HS-20 LOAD RATED.



SPALDING COUNTY WATER AUTHORITY

GREASE INTERCEPTOR

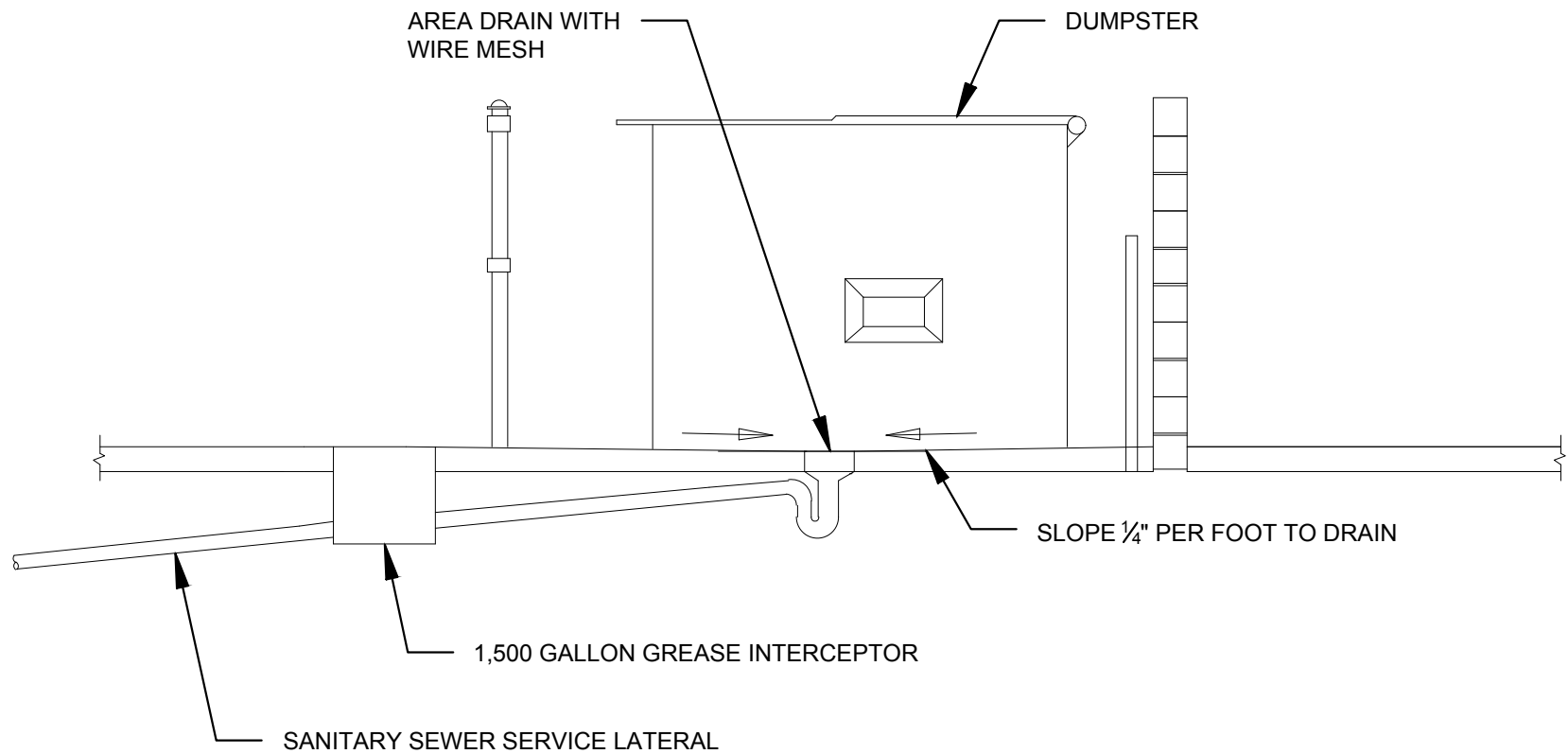
SPEC. DATE: 2024

REVISED: N/A

SCALE: N.T.S.

DETAIL NO.

S21



SPALDING COUNTY WATER AUTHORITY

SANITARY SEWER CONNECTION FOR DUMPSTER PAD

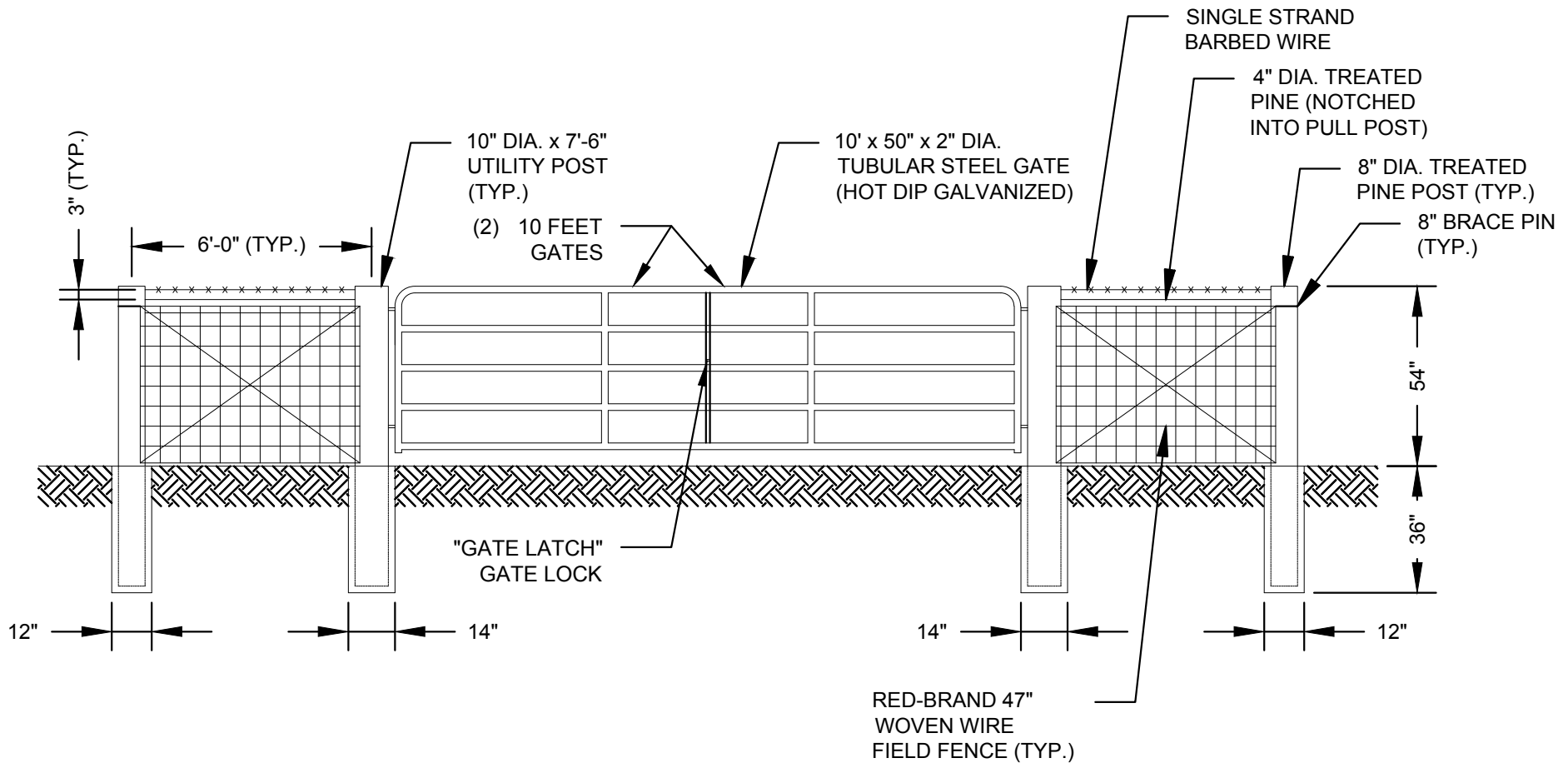
SPEC. DATE: 2024

REVISED: N/A

SCALE: N.T.S.

DETAIL NO.

S22



NOTES:

1. FENCE POSTS SHALL BE EMBEDDED IN CLASS "B" CONCRETE.
2. WOVEN WIRE FIELD FENCE SHALL BE ATTACHED TO FENCE POSTS WITH 1 1/4" GALVANIZED STAPLES.
3. ENSURE SCWA LOCK LOCATION DOES NOT GET LOCKED OUT BY OTHER LOCKS (I.E., PROPERTY OWNERS LOCK, ETC).



SPALDING COUNTY WATER AUTHORITY

**SEWER EASEMENT
ACCESS GATE**

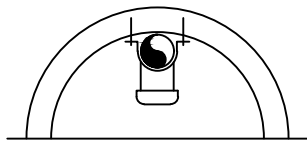
SPEC. DATE: 2024

REVISED: N/A

SCALE: N.T.S.

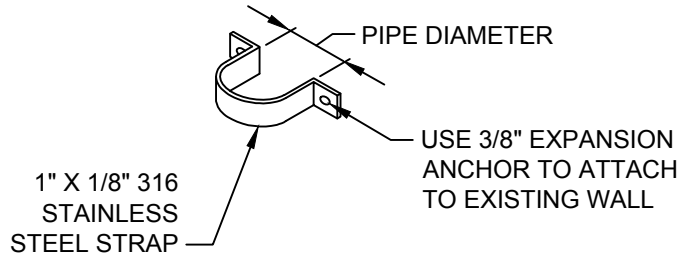
DETAIL NO.

S23

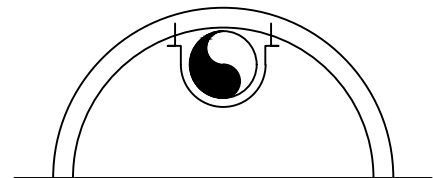
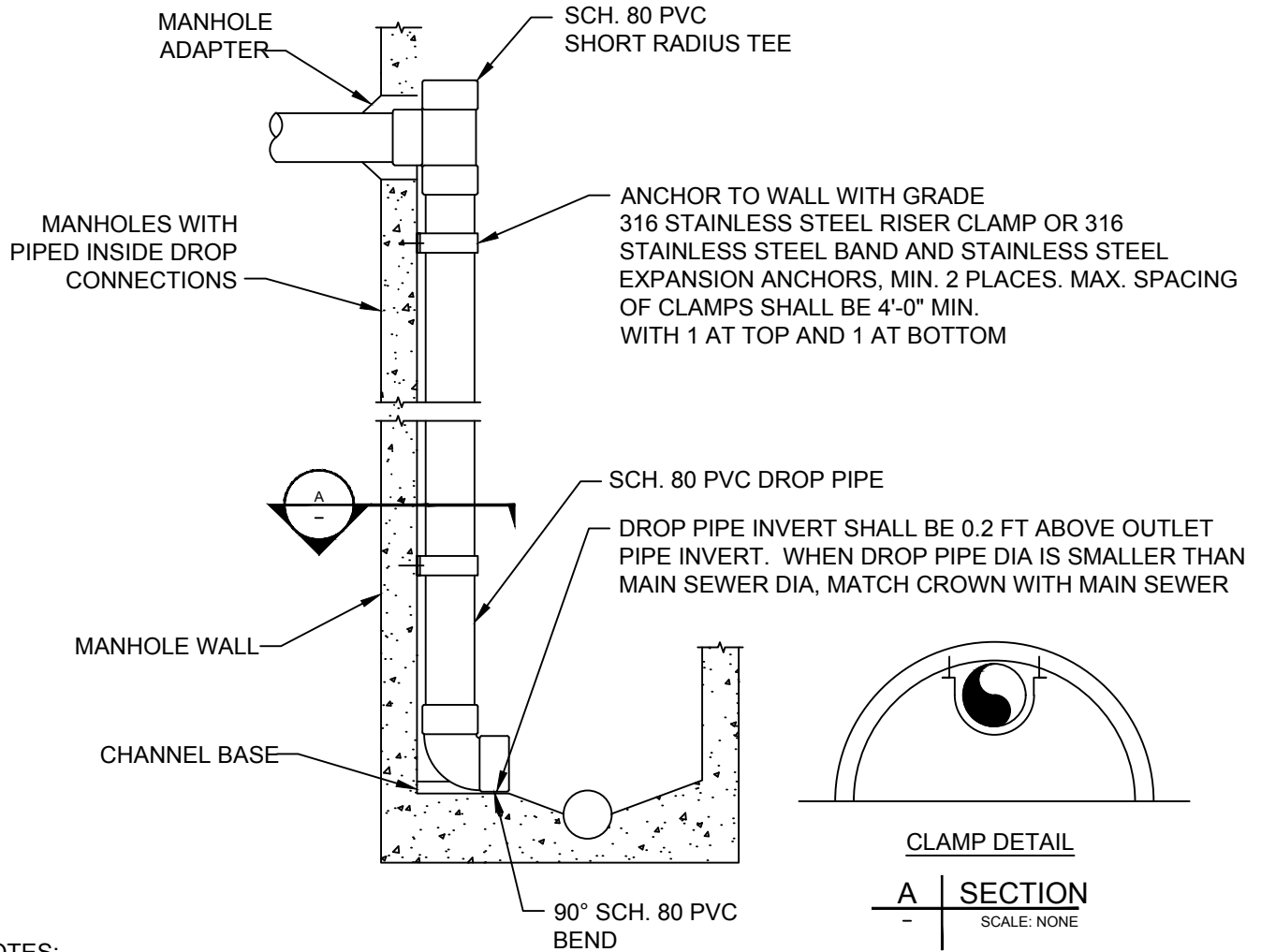


CLAMP DETAIL

A | SECTION
- | SCALE: NONE



STRAP DETAIL



CLAMP DETAIL

A | SECTION
- | SCALE: NONE

NOTES:

1. PIPED INSIDE DROP CONNECTION FOR MANHOLE IS REQUIRED WHEN INSIDE DROP IS GREATER THAN 15 FEET. (OUTSIDE DROPS REQUIRED WHEN INSIDE DROP IS GREATER THAN 2 FEET AND LESS THAN 15 FEET)
2. MINIMUM MANHOLE DIAMETER SHALL BE 5'-0" FOR A MANHOLE WITH A PIPED INSIDE DROP CONNECTION.



SPALDING COUNTY WATER AUTHORITY

PIPED INSIDE DROP CONNECTION FOR SEWER MANHOLE

SPEC. DATE: 2024

REVISED: N/A

SCALE: N.T.S.

DETAIL NO.

S24