

2022 JCB 3CX PLUS



HOLT JCB

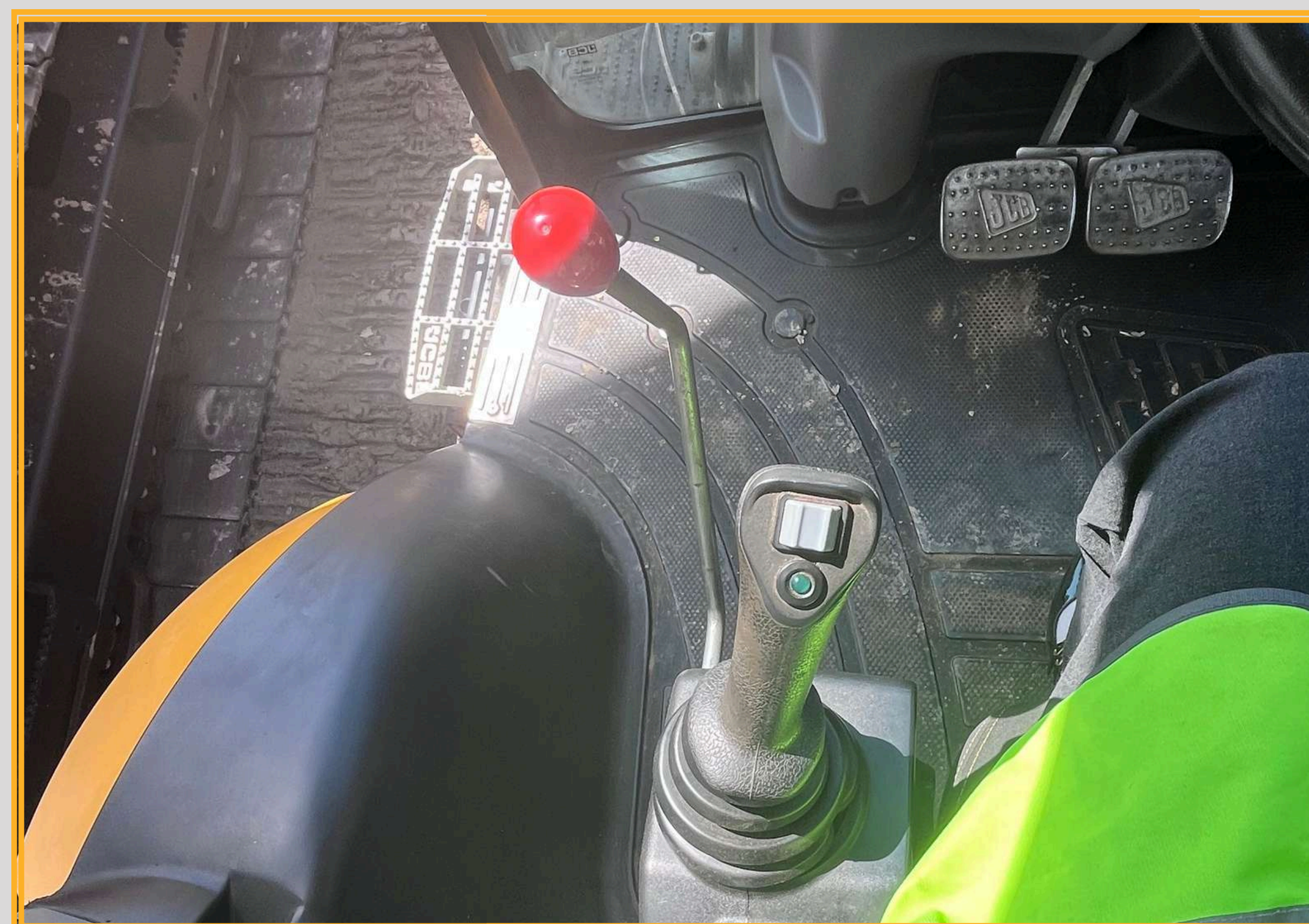
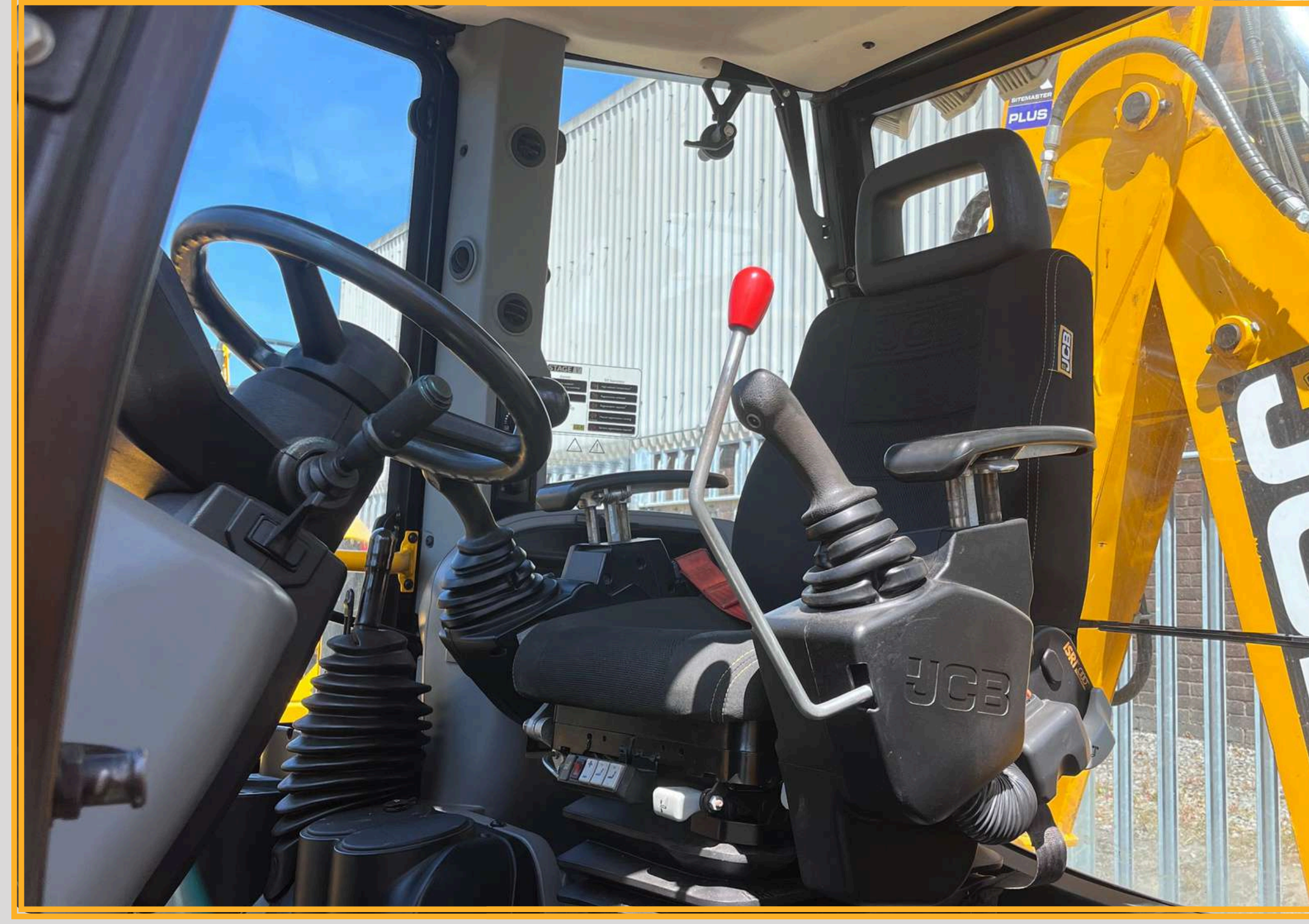
1878 Hours

- 14 EXT DIPPER
- CAB WITH AIR CONDITION
- HYDRAULIC QUICK HITCH
- LIFTING KIT SENSOR
- DIRECT MOUNT 6 IN 1 WITH FORKS
- LED WORK LIGHTS OPTIONAL



USED BACKHOE | 2022 JCB 3CX PLUS

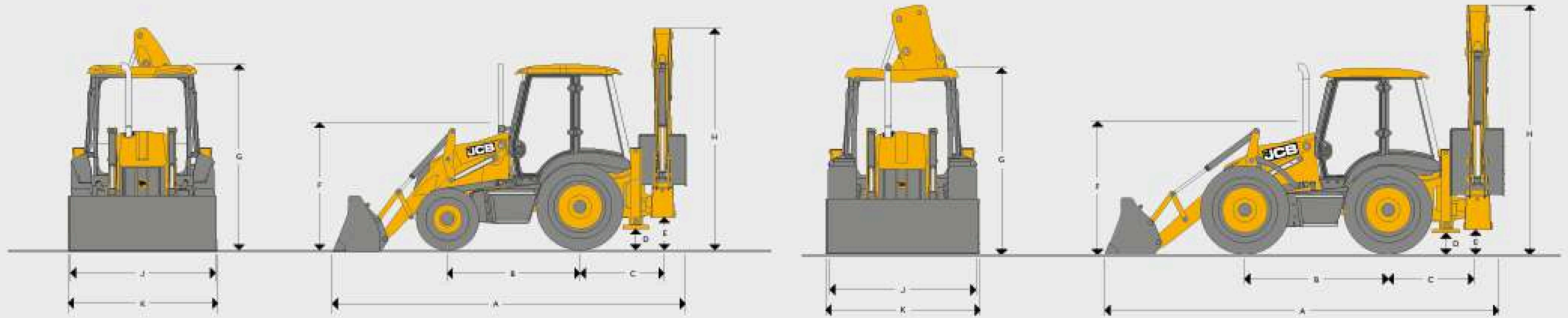
Our Ref: N/A Serial No: 3014120



USED BACKHOE | 2022 JCB 3CX PLUS

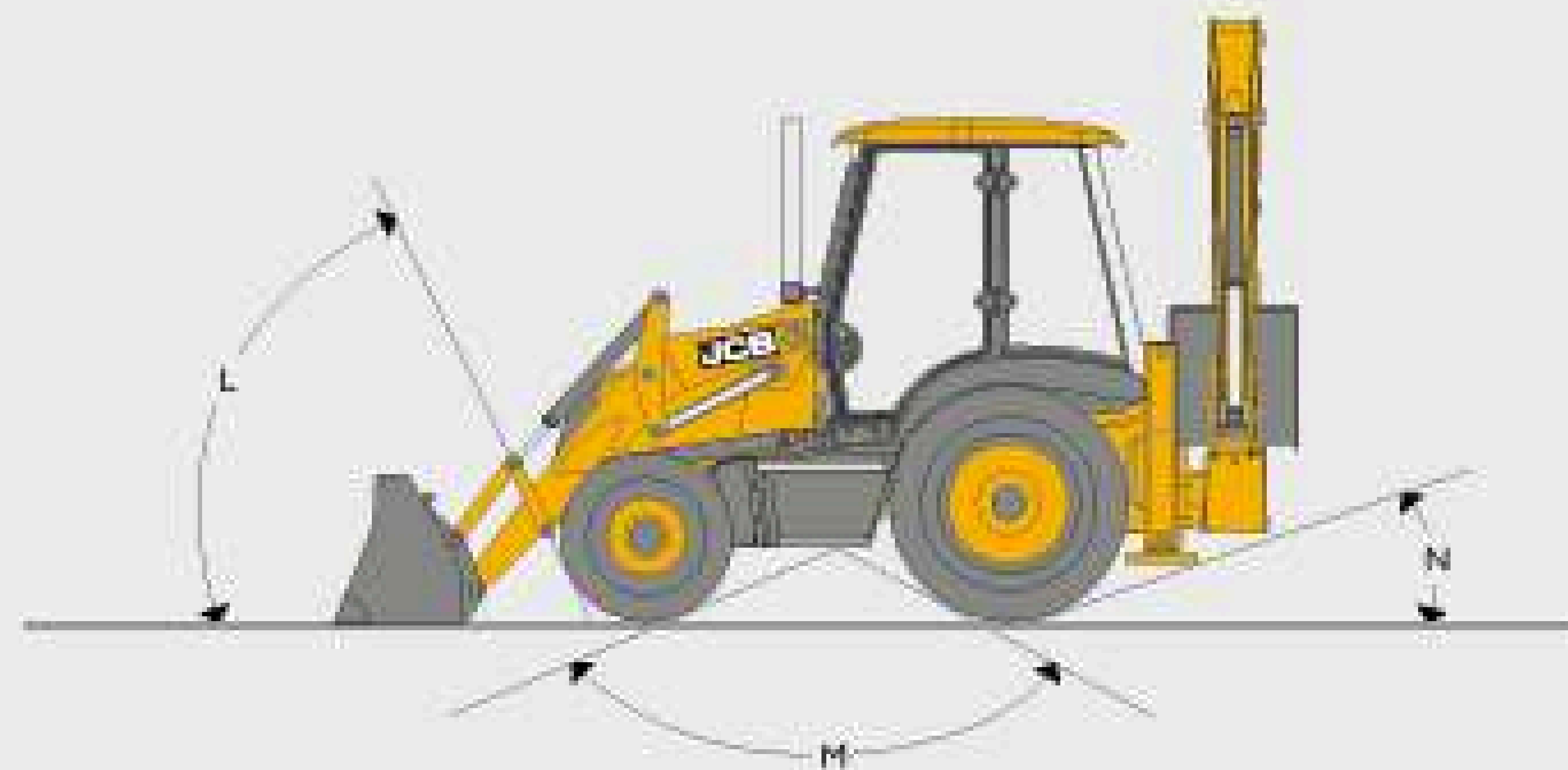
Our Ref: Serial No: 3014120

STATIC DIMENSIONS



Dimensions in m		3CX		3CX PLUS		3CX PRO		4CX PLUS		4CX PRO		5CX PRO	
A	Total travel length	5.62		5.62		5.62		5.91		5.91		5.91	
B	Axle centreline distance	2.17		2.17		2.17		2.22		2.22		2.22	
C	Slew centre to rear axle centre distance	1.36		1.36		1.36		1.36		1.36		1.36	
D	Stabiliser feet clearance	0.37		0.37		0.37		0.33		0.34		0.34	
E	Kingpost clearance	0.52		0.52		0.52		0.48		0.50		0.50	
F	Steering wheel centre height	1.94		1.94		1.94		1.86		1.88		1.88	
G	Cab roof height	3.03		3.03		3.03		2.98		3.03		3.03	
H	Total travel clearance	3.61		3.61		3.61		3.48		3.62		3.97	
J	Rear frame width	2.35	2.24*	2.35	2.24*	2.35	2.24*	2.36	2.36	2.36	2.36	2.36	2.36
K	Shovel width	2.35	2.23*	2.35	2.23*	2.35	2.23*	2.33	2.33	2.33	2.33	2.33	2.33
K	Shovel width - option	-	-	-	-	-	-	-	-	2.44	2.44	2.44	2.44

*Narrow option



GROUND LINE ANGLES

Machine model		3CX, 3CX PLUS, 3CX PRO	4CX PRO, 5CX PRO	
L	Approach angle	degrees	66°	74°
M	Interference angle/ramp to ground plane	degrees	120°	118°
N	Departure angle	degrees	20°	19°

ENGINE					
Model		3CX	4CX PLUS*	3CX PLUS 3CX PRO	4CX PRO 5CX PRO
Engine standard		Stage V	Stage V	Stage V	Stage V
Manufacturer		JCB	JCB	JCB	JCB
Aspiration		Turbocharged & Intercooled	Turbocharged & Intercooled	Turbocharged & Intercooled	Turbocharged & Intercooled
Displacement	litre	3.0	4.8	4.8	4.8
No. of cylinders		4	4	4	4
Bore	mm	92	106	106	106
Stroke	mm	112	112	112	112
Rated engine	rpm	2200	2200	2200	2200
Power ratings					
Rated ISO 14396 (SAE J1995 Gross)	kW	55	72	81	81
Maximum torque					
Max. torque rpm	Nm	440	450	516	516
Max. torque rpm	rpm	1200	1450	1450	1450

* Model not available in all regions

ELECTRICAL AND INSTRUMENTATION	
Camera system (optional)	Quick hitch mounted and cab roof camera with 7" colour screen
7" colour display screen	Audio and phone, controls, engine coolant temperature, fuel level, machine hours, help files, service alerts, clock
Front display	Speedometer, warning alerts, engine oil, water in fuel, transmission oil temperature and pressure, park brake, air cleaner, alternator
Battery	1000 CCA (120 amp)
Horn	Controlled from both front and rear
Alternator	105 amp (55kW) 170 amp (72kW/81kW)
Front working lights	4 x 1000 lumen LED adjustable lights (standard) / 4 x 2000 lumen LED adjustable lights (option)
Rear working lights	4 x 1000 lumen LED adjustable lights (standard) / 6 x 2000 lumen LED adjustable lights (option)
Green beacon (optional UK only)	Wiring, magnetic mount and 1 roof mounted green beacon light

ENGINE SUPPORT SYSTEM	
Fuel type	Diesel
Fuel filter	Replaceable cartridge plus water/sediment separator prefilter
Air cleaner	Dual, dry element type, with self cleaning internal air intake pre-cleaner
Oil filter and lubrication	Full flow, spin-on type filter
Cooling system	Hot climate specification, pressurised 1.0 bar suction fan, Pressurised recovery tank with integral filler neck

TRANSMISSION						
Model		3CX 55kW	3CX PLUS 81kW	3CX PRO 81kW	4CX PLUS 72kW	4CX PRO, 5CX PRO
Manufacturer		JCB	JCB	JCB	JCB	JCB
Type		Autoshift	Autoshift	Autoshift**	Autoshift	Autoshift
TorqueLock		Standard	Standard	Standard	Standard	Standard
Gear 1	kph	5.2	5.2	4.9	4.9	4.9
Gear 2	kph	9.5	9.5	8.9	8.9	8.9
Gear 3	kph	13.5	13.5	12.6	12.6	12.6
Gear 4	kph	19.4	19.4	18.2	18.2	18.2
Gear 5	kph	35	35	33	33	33
Gear 6	kph	40	40	47	42	42

** Engine Speed at 2200rpm on 400/70-20 Front Tyres and 480/80-R26 Rear Tyres.

OPERATING WEIGHTS							
Machine model		3CX	3CX PLUS	3CX PRO	4CX PLUS	4CX PRO	5CX PRO
Fixed dipper	kg	7887	-	-	8178	-	9034
Extended dipper	kg	8320	8600	8600	9350	9350	9500

Operating weight to ISO 6016 includes machine with 6-in-1 shovel, 600mm excavator bucket and a full fuel tank and operator. Actual weight will vary depending on machine options.