

Arc

Boardroom Power Unit

Power Solutions



CONTROLLED

Spring-assisted open/
close mechanism

**CUSTOMISABLE
POWER**

Tailored to your power
and data needs

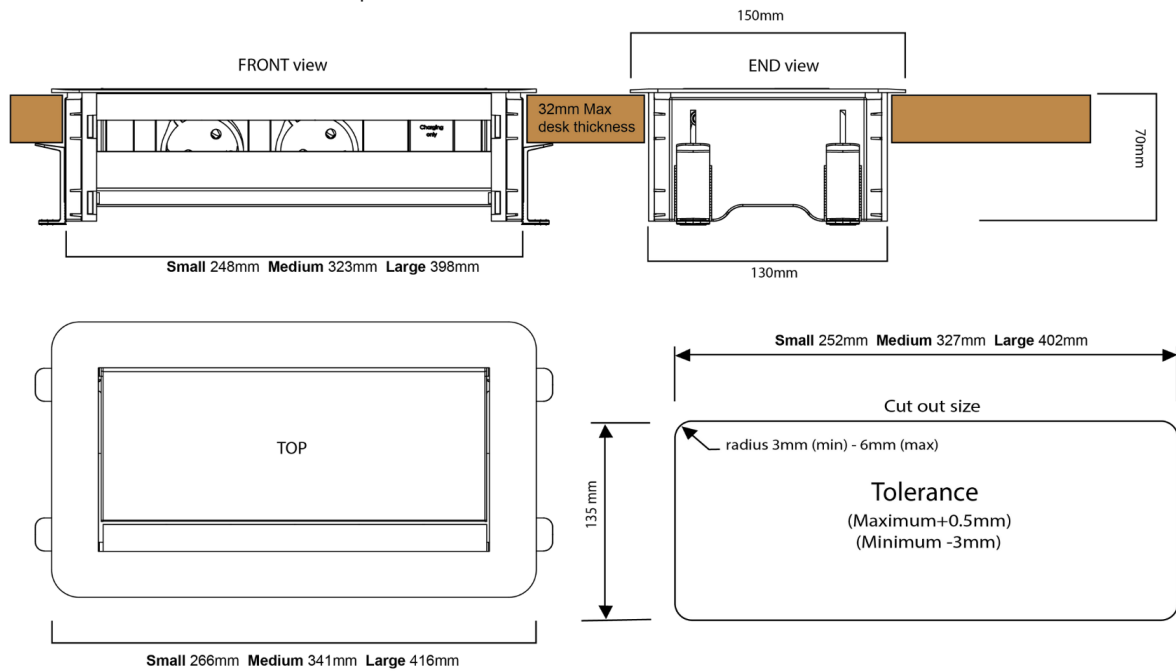
MOUNTED

Flush-mounted
design

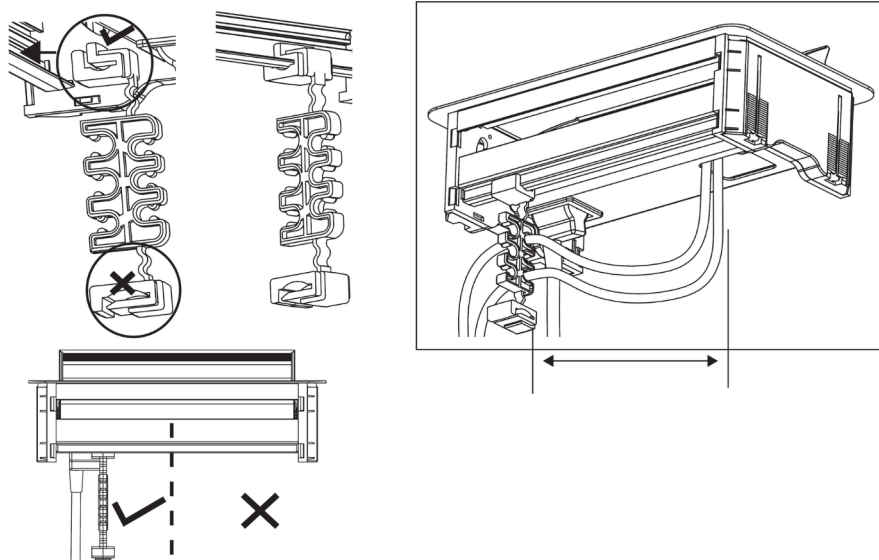
Arc

Boardroom Power Unit

Technical dimension sketch (front / end / top / cut-out)



The Arc includes an integrated Cable Support Hanger designed for efficient, convenient and neat cable organisation. Allow sufficient cable slack during installation to ensure smooth operation and prevent cable strain.



Description

The ARC is a refined boardroom power solution engineered with seamless one-piece aluminium construction. Precise, durable and architecturally clean, it delivers understated elegance to contemporary meeting environments.

Available in three sizes with configurable power and data modules, ARC integrates effortlessly into executive boardroom layouts. A controlled, spring-assisted lift mechanism ensures smooth operation, while the soft-close system prevents abrupt closure, maintaining a quiet, professional atmosphere. Integrated cable brushes manage wiring discreetly, and shuttered outlets provide enhanced protection. When closed, ARC sits flush within the surface, preserving clean lines and a considered aesthetic.

Power Configuration

ARC offers configurable power and data modules tailored to executive environments.

Supporting up to 24 international socket types, the unit can be specified with AC outlets, USB charging and front-mounted data interfaces.

Shuttered outlets enhance safety, with an optional thermal reset switch available for overload protection.

Technical Specifications

Voltage	110V – 250V AC @ 50Hz – 60Hz
Current	15A (20A with upgraded wiring)
Power	1800W @ 110V – 125V AC 3000W @ 220V – 250V AC

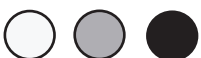
Applications

- Executive boardrooms
- Meeting areas
- Conference facilities
- Training rooms
- Corporate offices
- Co-working areas

Approximate Weight

- Depends on configuration

Colour Options



Features

- One-piece aluminium construction
- Architectural flush integration
- Controlled spring-assisted lift
- Soft-close return mechanism
- Configurable power and data modules
- Integrated cable support system
- Front-mount data interface capability
- Shuttered outlets for enhanced safety
- Optional thermal overload reset
- Available in 24 international sockets

Mounting Options

Designed for recessed, flush-mounted installation.

Engineered for seamless surface integration within routed desk cut-outs. Maximum desk thickness: 32mm.

Dimensions

- Small:
248mm (L) x 266mm (W) – Cut-out: 252mm
- Medium:
323mm (L) x 341mm (W) – Cut-out: 327mm
- Large:
398mm (L) x 416mm (W) – Cut-out: 402mm

Maximum desk thickness: 32mm

Corner radius: 3–6mm

Cut-out tolerance: +0.5mm / –3mm

All our products carry a 12-month warranty. Extended warranties are available by request

Arc

Boardroom Power Unit



MODERN

FUNCTIONAL

ELEGANT

Contact Us

powerlogic.net

info@powerlogic.co.za

(+27) 21 704 1450