

Wave

Boardroom Power Unit

Power Solutions



CONTROLLED

Spring-assisted open/
close mechanism

CUSTOMISABLE POWER

Tailor to your power
and data needs

MOUNTING

Flush-mounted
design

Wave

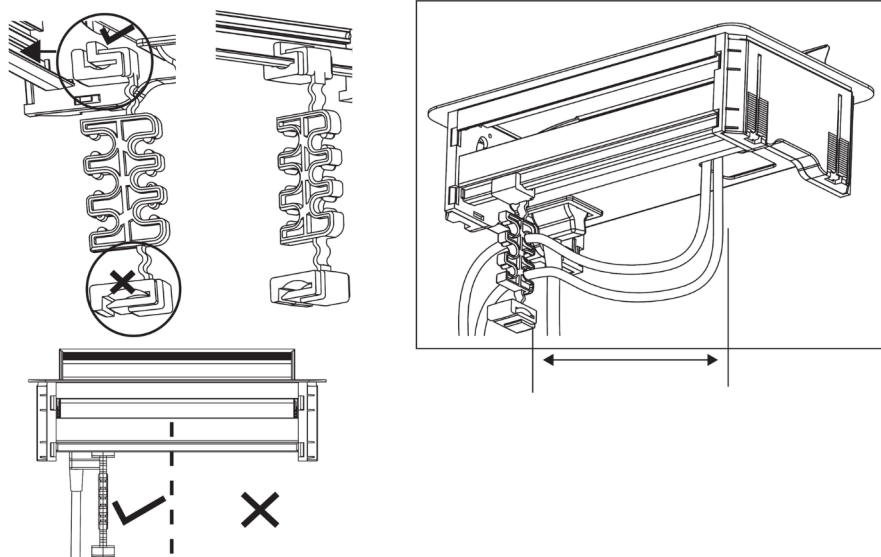
Boardroom Power Unit

Technical dimension sketch (front / end / top / cut-out)



The Wave includes an integrated Cable Support Hanger designed for efficient, convenient and neat cable organisation.

Allow sufficient cable slack during installation to ensure smooth operation and prevent cable strain.



Description

The Wave is the next generation of the original horizontal power dock. Designed for modern workspaces, it features a seamless solid aluminium top frame, expanded opening range, and a spring-assisted opening and closing mechanism. A soft-close system prevents abrupt closure, enhancing durability and safety. The integrated cable brush system ensures cables remain neatly managed and concealed.

When closed, the Wave sits flush with the work surface, reducing cable clutter and maintaining a clean, professional environment.

Available in three sizes – Small, Medium and Large.

Power Configuration

The Wave offers fully customisable power and data configurations to suit a wide range of workspace environments.

Choose from up to 24 international socket types, with options for standard AC outlets and optional thermal reset switches for overload protection. Front-mountable data and communication interfaces can be integrated to support seamless connectivity.

Technical Specifications

Voltage	110V – 250V AC @ 50Hz – 60Hz
Current	15A (20A with upgraded wiring)
Power	1800W @ 110V – 125V AC 3000W @ 220V – 250V AC

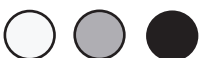
Applications

- Executive boardrooms
- Meeting areas
- Conference facilities
- Training rooms
- Corporate offices
- Co-working areas

Approximate Weight

- Depends on configuration

Colour Options



Features

- Slick one-piece robust design
- Premium all-aluminium finish
- Customisable configurations
- Available in three sizes
- Spring-assisted opening and closing mechanism
- Soft-close system
- Integrated cable brush system
- Includes Cable Support Hanger
- Front-mountable data interfaces allow easy installation of data/comms

Mounting Options

Designed for recessed, flush-mounted installation within the work surface. The Wave is secured using an under-desk clamping system for fast and reliable installation. Maximum desk thickness: 32mm.

Dimensions

Small:
248mm (L) x 266mm (W) – Cut-out: 252mm

Medium:
323mm (L) x 341mm (W) – Cut-out: 327mm

Large:
398mm (L) x 416mm (W) – Cut-out: 402mm

Cut-out width: 135mm
Cut-out radius: 3mm (min) – 6mm (max)
Tolerance: +0.5mm / –3mm
Maximum desk thickness: 32mm
Internal depth (underside clearance): 130mm
Overall end-view height: 70mm

All our products carry a 24-month warranty. Extended warranties are available by request

Wave

Boardroom Power Unit



MODERN

FUNCTIONAL

ELEGANT

Contact Us

powerlogic.net

info@powerlogic.co.za

(+27) 21 704 1450