

Spiro Ekon 450M1V3 Electric Motorcycle

Spiro Ekon 450M1V3 Electric Motorcycle Instruction Manual

Proper use, storage and maintenance can reduce vehicle breakdowns, maintain optimal vehicle performance and extend the service life of the vehicle!

Before riding, please fully understand the performance of this vehicle!

Please read this instruction manual carefully and keep it for future reference!

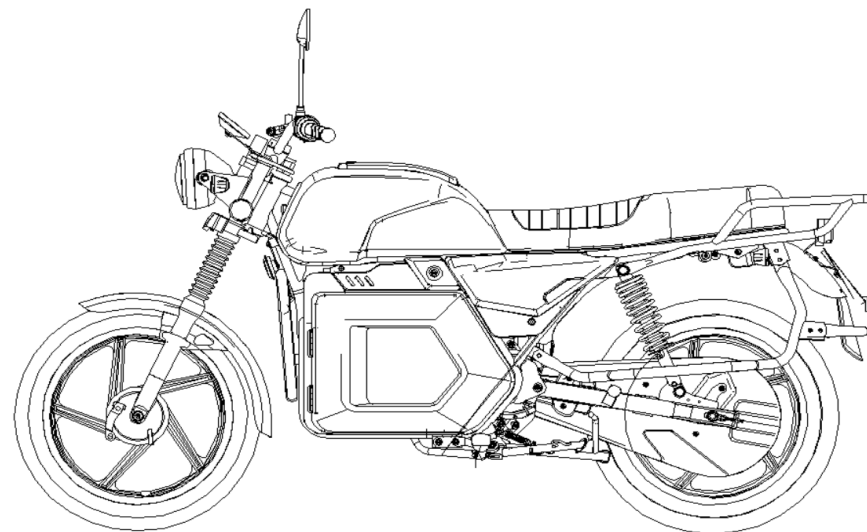
DIRECTORY

1.Product Overview	01
2.Operation Instruction	02
3.Parts Description	03
4.Instrument and Combination Switches	05
5.Keys	07
6.Adjustment for the rear brake	08
7. Inspection and adjustment for the transmission chain	09
8.ARE YOU READY !	10
9.Basic Parameters	12

1. Product Overview

Thank you for choosing our company as your electric bicycle brand. We wish you enjoy the comfort and joy it brings you in your long journey in the future!

Our company sincerely hopes that you can provide valuable feedback on the design, manufacturing, quality, and other aspects of this vehicle, and notify us on time in order to improve.



2. Operation Instruction

- Please fully understand the performance of this vehicle before use and ride safely.
- Please comply with local traffic regulations and refuse dangerous behaviors such as driving in the wrong direction, driving without following traffic lights, or using mobile phones while cycling.
- Do not disassemble our vehicles or disassemble parts on your own. Unauthorized disassembly and modification of vehicles is not allowed. If you need to replace parts, please purchase them from our company's electric bicycle general agent.

Please read the following content carefully for your and others' safety :

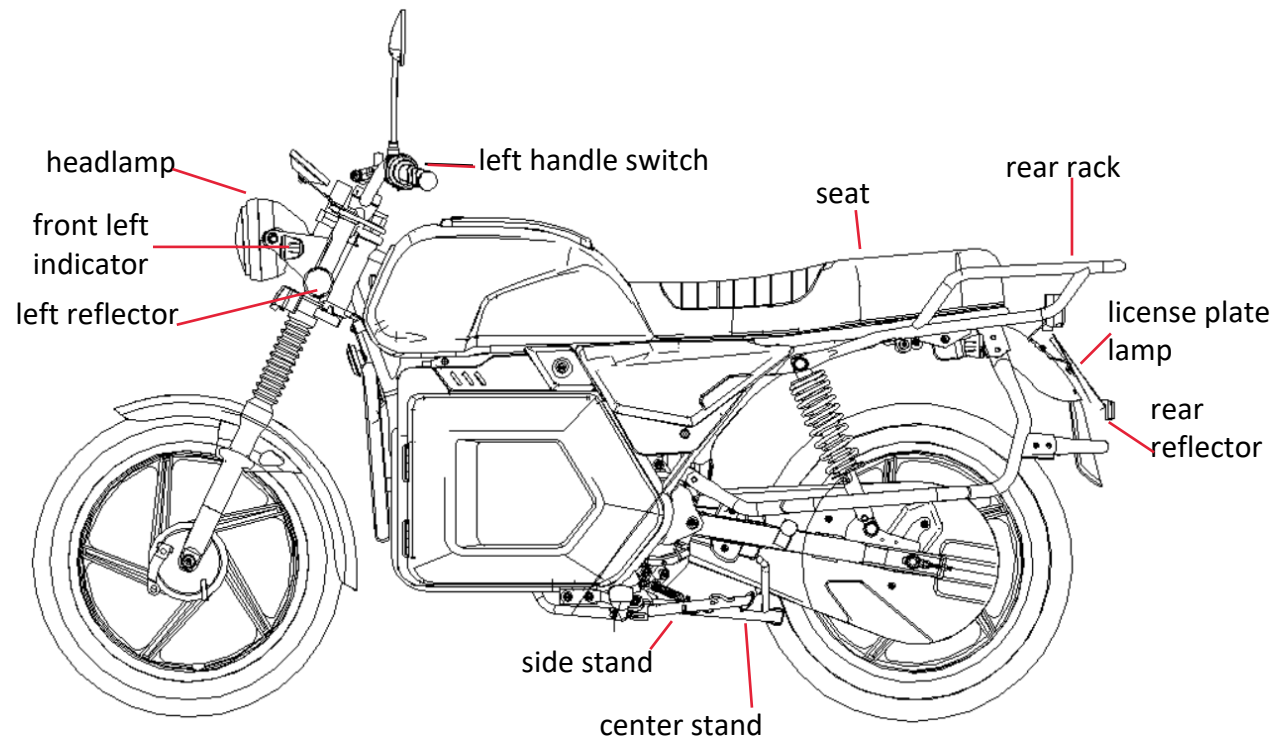
Matters need Attention

- When the road is slippery, the braking distance will be extended, and the distance between vehicles should be appropriately increased to avoid Rear-end collision.
- When wading in water and the water level reaches the Battery box level, it will cause a short circuit and damage to the wiring inside our vehicles, please pay attention and do avoid it.

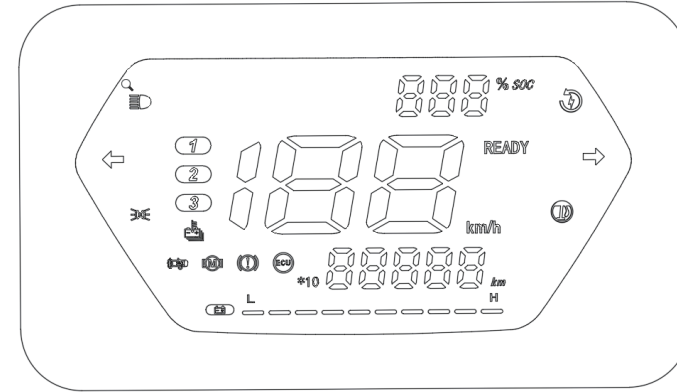
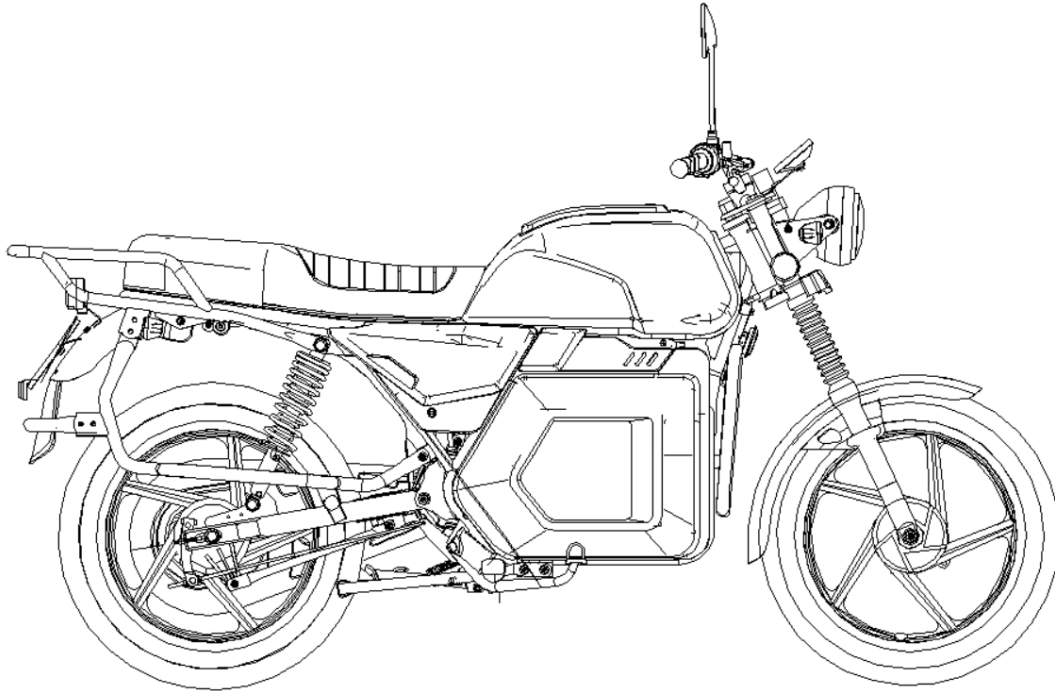
Precautions for Vehicle Storage

- Please do not charge electric bicycles indoors, try to charge them at an outdoor charging station.
- When replacing the charger, it should match the battery model and try to use the original charger.

3. Parts Description



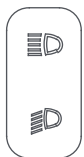
4. Instrument and Combination Switches



	Left Turn Signal Light		Signal Light for Brake Turn on when brake	 Speed	<input type="radio"/> 1 Power saving <input type="radio"/> 2 Normal <input type="radio"/> 3 Sports
	High Beam		Side Bracket Light On when side stand work		
READY	Ready to go		Motor Error	 Power Real-Time Values	
	Right Turn Signal Light		Handle Error		
	Clearance Lamps		ECU error		
	High Temperature Warning Light When battery/controller temperature exceeds 58 degrees, this symbol will light up				

Combination Switches Instruction

Left Hand Combination Switches

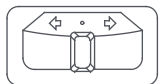


Low/High Beam

Press to turn on low beam, then press again to switch to high beam;

Turn Signal

Slide the button to left, the left turn signal light on, press the button in the middle, can cancel the signal light;



Slide the button to right, the right turn signal light on, press the button in the middle, can cancel the signal light.

Horn

Press the horn button, the horn will sound, release to stop.

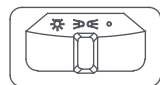


Park Gear

In P gear, simultaneously grip the brake (with a speed of 0)



Right Hand Combination Switches



Contour lamp/headlight

Slide the button to the right, all lights will be turned off;

Slide the button to the middle, the contour light is turned on;

Slide the button to the left, Can use the left handle High beam and low beam switch to control and switch on the high beam and low beam.

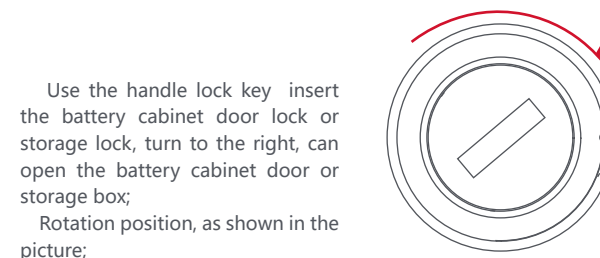
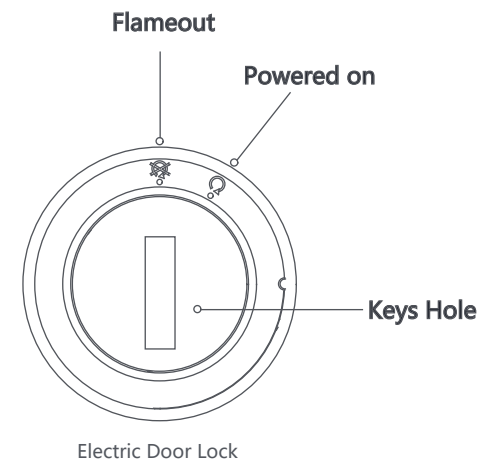


Gear + and -

Press the left button to decrease the gear;

Press the right button to increase the gear position.

5. Keys



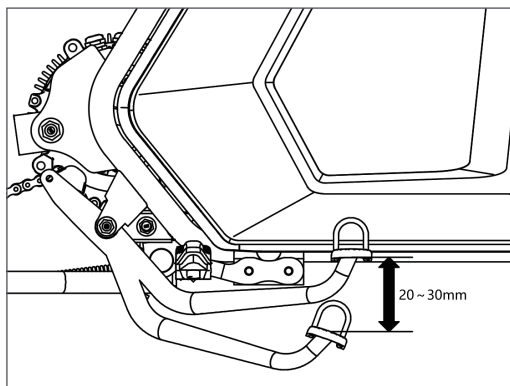
Use the handle lock key insert the battery cabinet door lock or storage lock, turn to the right, can open the battery cabinet door or storage box;

Rotation position, as shown in the picture;

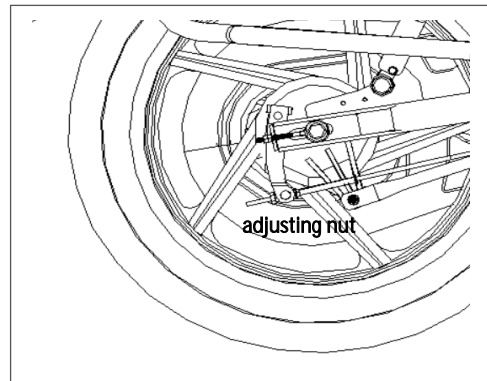
battery cabinet door lock/storage lock

6. Adjustment for the rear brake

1.The effectively moving range of the rear brake lever is within 20-30mm. Once it is out of the range , please adjust it at once.



When adjusting, please turn the adjusting nut to the right direction to reduce the moving clearance ; otherwise the clearance will be increased.



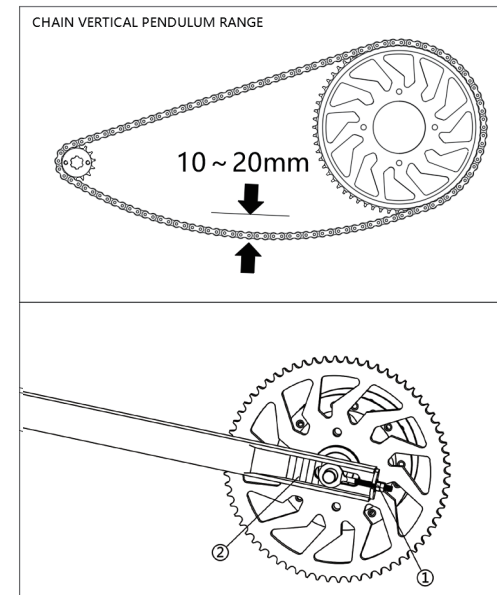
7. Inspection and adjustment for the transmission chain

1.If the drive chain has been used for a long time, it will be lengthened and loosen even reach the chain case and make noise. You must check and adjust it.

2.Adjust vertically the chain between the two chain wheels, the max amplitude of moving the chain is within 10~20mm(Fig.1)

3.When adjusting, Please loose the vehicle axle nut ①, and then turn the adjusting nut ②,to keep the chain adjustors on left and right side positioning the same graduation ②.After inspection, please tighten the locking nut, (The torque of the vehicle axle nut: 80-100N.m)(Fig2)

4.In order to protect the chain, you had better clean and lubricate it periodically.



8. ARE YOU READY?

A simple three step preparation to complete a comfortable journey.

First

Please wear a safety helmet and sit on the vehicle, and turn the power lock to activate the vehicle's power supply.

Second

Please fold up the single support/double support and press the right hand combination key "P" while braking to release the lock of gear P. At this time, "READY" will appear in the instrument.

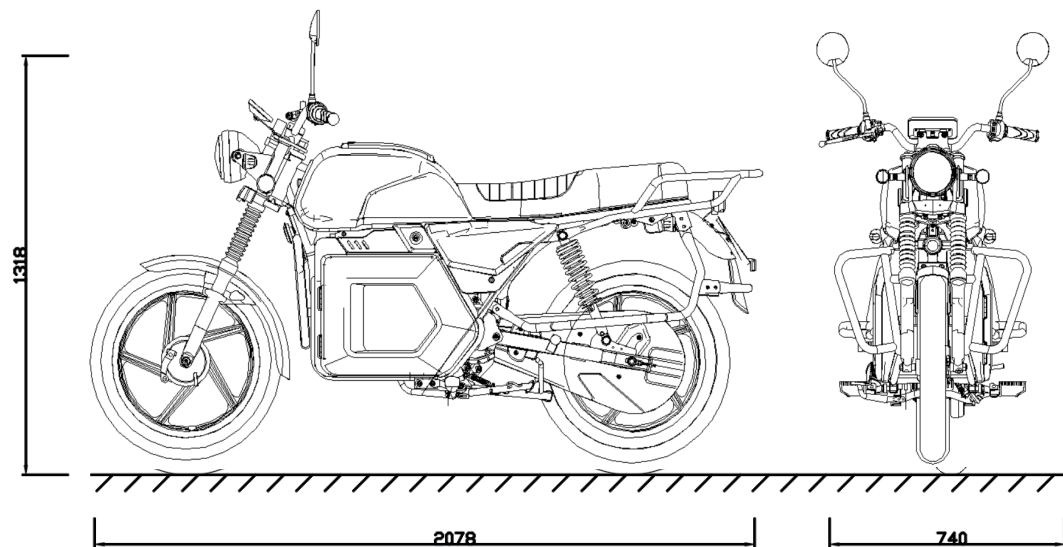
Third

Gently twist the throttle handle with your right hand and enjoy your first driving experience with your car.

Before driving, the vehicle condition should be checked, generally including the following items:

- Instrument: When the vehicle is powered on, please check if the instrument panel displays normally;
- Lights and horns: Check if all lights are in good condition and if the horns are functioning properly ;
- Tires: Check tire pressure and tire wear;
- Steering device: convenience and stability of operation;
- Battery: Open the battery cabinet and check if the appearance of the battery is good, ensuring that there are no obvious phenomena such as damage, leakage, heating, soaking in water, and smoking.

9. Basic parameters



Vehicle Main Parameters

No.	Description	Parameters
A1	Vehicle main parameters	
A1.1	External dimensions: long × wide × high	2078mm×740mm×1318mm
A1.2	Seat height	810mm
A1.3	Motor	Mid Drive Motor
A1.4	Controller	FOC
A1.5	Battery	
A2	Appearance dimensions	
A2.1	Front hub	J17x1.60
A2.2	Rear hub	J17X2.15
A2.3	Front tire size	80/90-17
A2.4	Rear tire size	110/80-17
A2.5	Wheelbase	1386 mm
A2.6	Ground clearance	190 mm
A2.7	Technically permissible maximum load	195kg
A2.8	Wheel hub material	Aluminum+Steel
A3	Technical specifications	
A3.1	Rated power	4.5kw
A3.2	Top speed	85 KM/H
A3.3	Brake system	Drum