

**Calling all
attention-seekers.**



Outdoor LED Billboard Turn-key Solution



Outdoor Waterproof



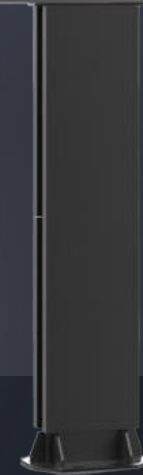
Glassless design



Sunlight Readable Image



Ultra-Narrow Bezel



Aluminum profile structure + front and back service screen

Product Style



Product Specification



3x2 m



4x3 m

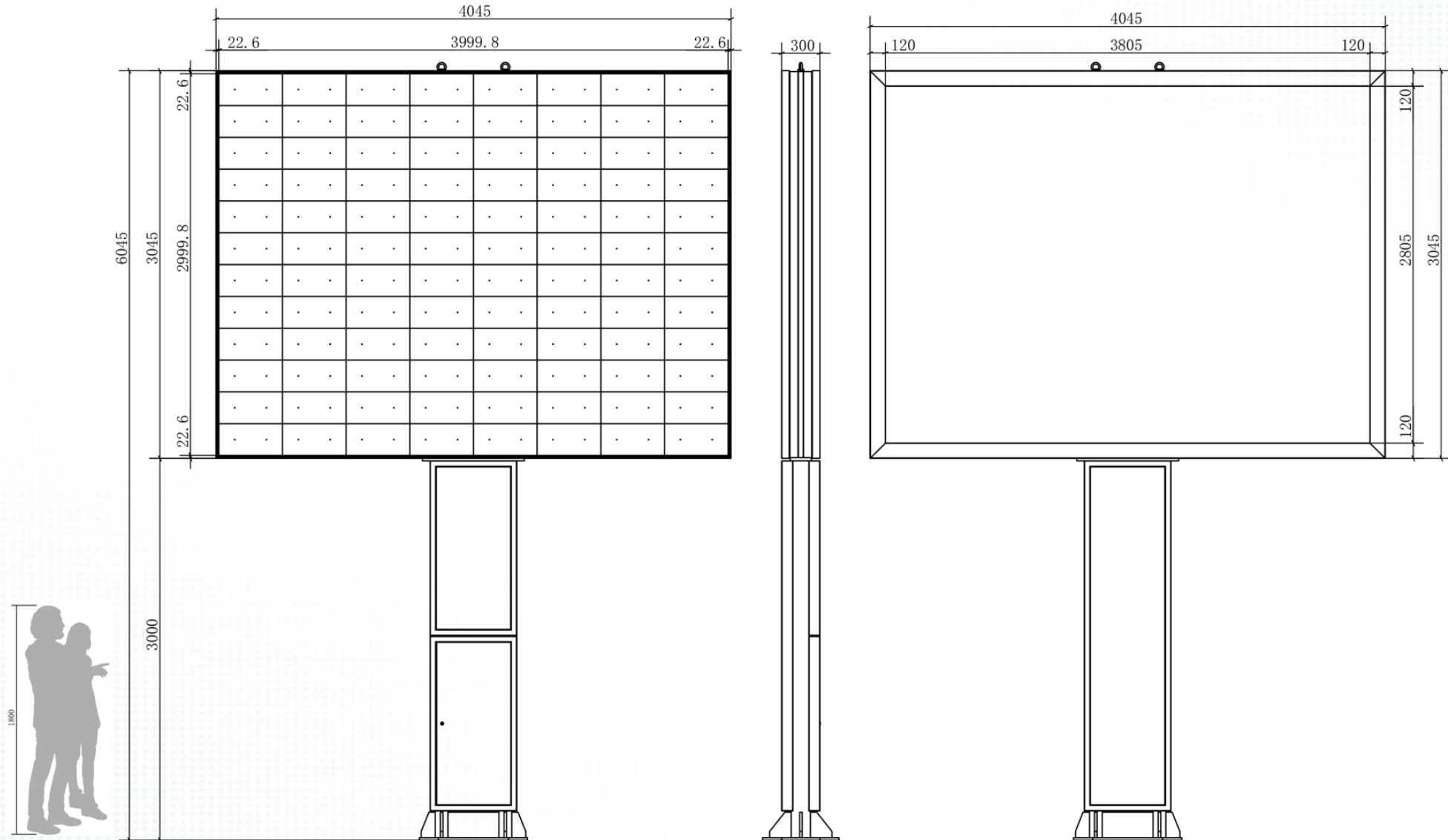


6x3 m

Product Specification

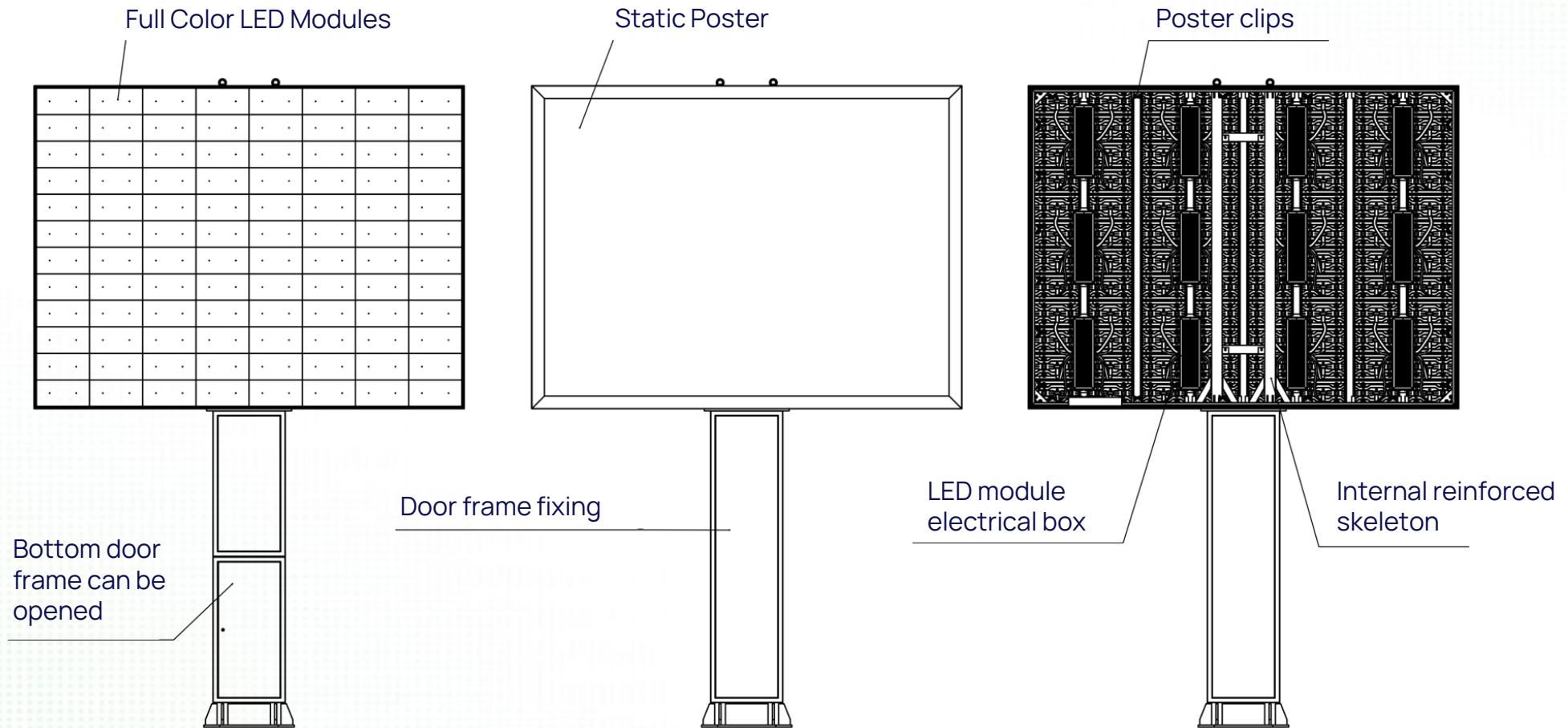
Model No.	WPO10	WPO8	WPO6	WPO5	WPO10.4	WPO7.8	WPO6.25	WPO4.8	WPO3.9	WPO2.9
Pixel pitch	10mm	8mm	6,6mm	5,3mm	10,4mm	7,82mm	6,25mm	4,81mm	3,91mm	2,976mm
Pixel density(dots/m2)	10000	15625	22500	35156	9246	16352	25600	43222	65410	112896
LED encapsulation	SMD3535	SMD3535	SMD2727	SMD2727	SMD2727	SMD2727	SMD2727	SMD1921	SMD1921	SMD1415
Scan rate	1/2 scan	1/4 scan	1/6 scan	1/6 scan	1/2 scan	1/4 scan	1/5 scan	1/7 scan	1/8 scan	1/21 scan
Module size	320 x 320mm				500 x 250 mm					
Module Resolution	32 x 32	40 x 40	48 x 48	60 x 60	48 x 24	64 x 32	80 x 40	104 x 52	128 x 64	168 x 84
Cabinet size	960 x 960 x 100mm (Optional)				1000 x 1000 x 73mm (Optional)					
Cabinet Resolution	96 x 96	120 x 120	144 x 144	180 x 180	96 x 96	128 x 128	160 x 160	208 x 208	256 x 256	336 x 336
Weight per Cabinet	24.5 kg				22.5 kg					
Brightness(cd/m2)	≥6500 (8000-10000)	≥6500 (8000-10000)	≥6000 (8000-10000)	≥5500 (8000-10000)	≥6500 (8000-10000)	≥6000 (8000-10000)	≥6000 (8000-10000)	≥5000 (8000-10000)	≥5000 (8000-10000)	≥4500 (4500-7000)
Max. power consumption(W/m2)	450	450	450	500	500	500	500	800	800	800
Ave. power consumption(W/m2)	150	150	150	175	175	175	175	270	270	270
Energy Saving design	2.8V & 3.8V Low voltage design				2.8V & 3.8V Low voltage design			4.6V / 5V voltage design		
Degree of Protection	Front IP67/Rear IP65									
Service	Front & Rear Dual service									
Power Supply	AC120 /240V (50Hz) (optional)									
Refresh Rate (Hz)	≥ 1920Hz (3840Hz Optional)									

Dimensional and structural drawings



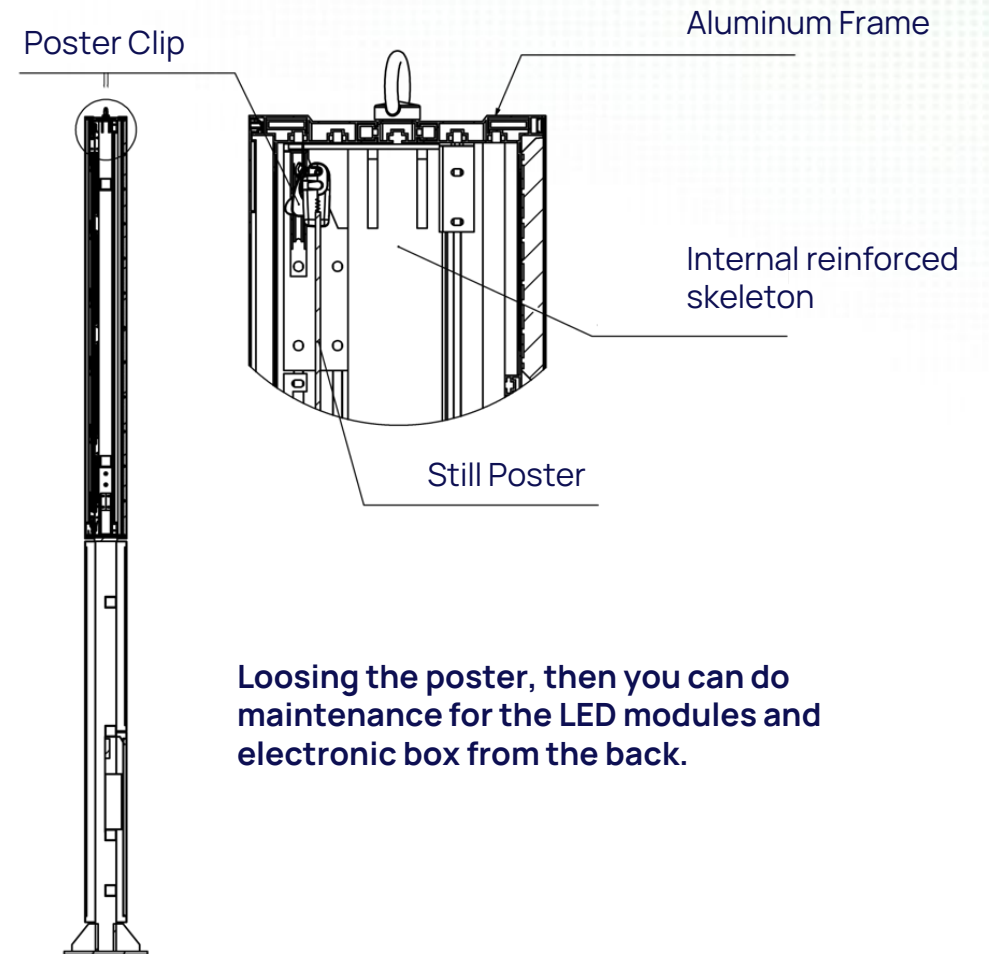
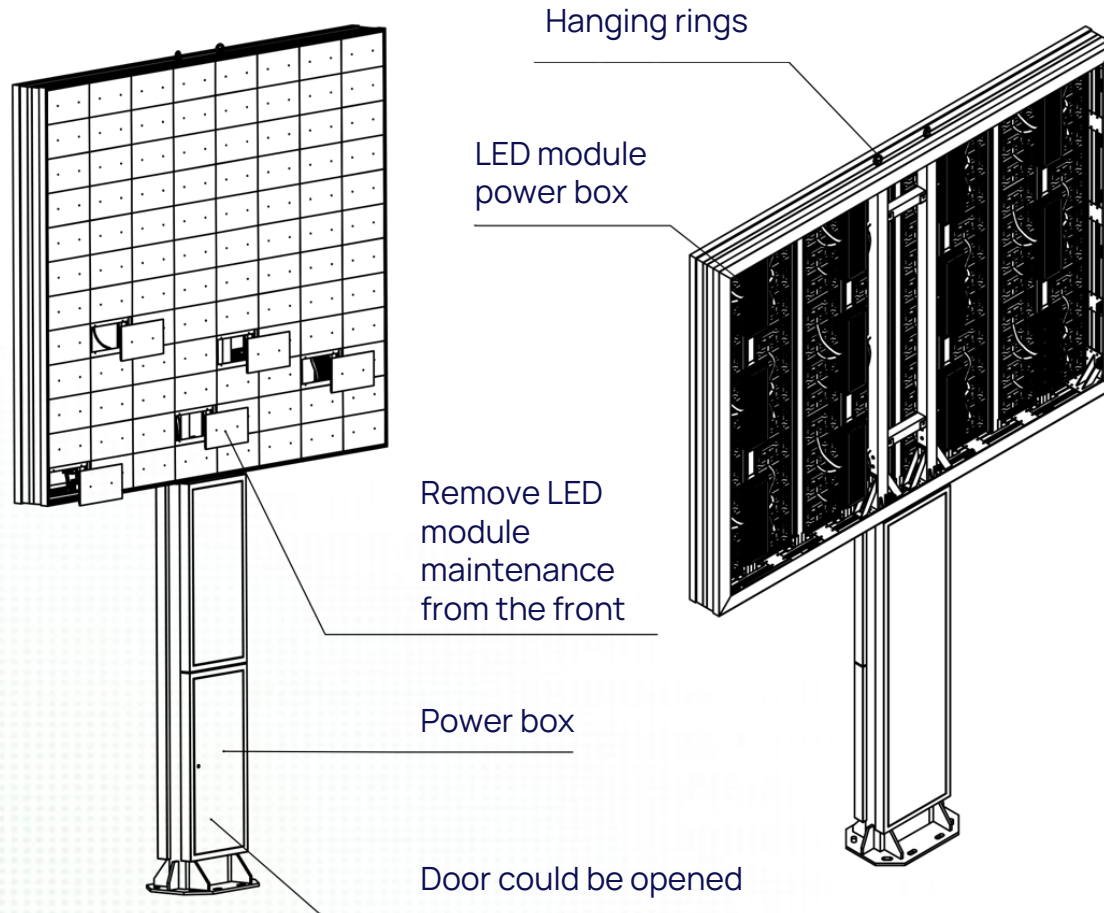
Dimensional and structural drawings

Without tempered glass on both sides

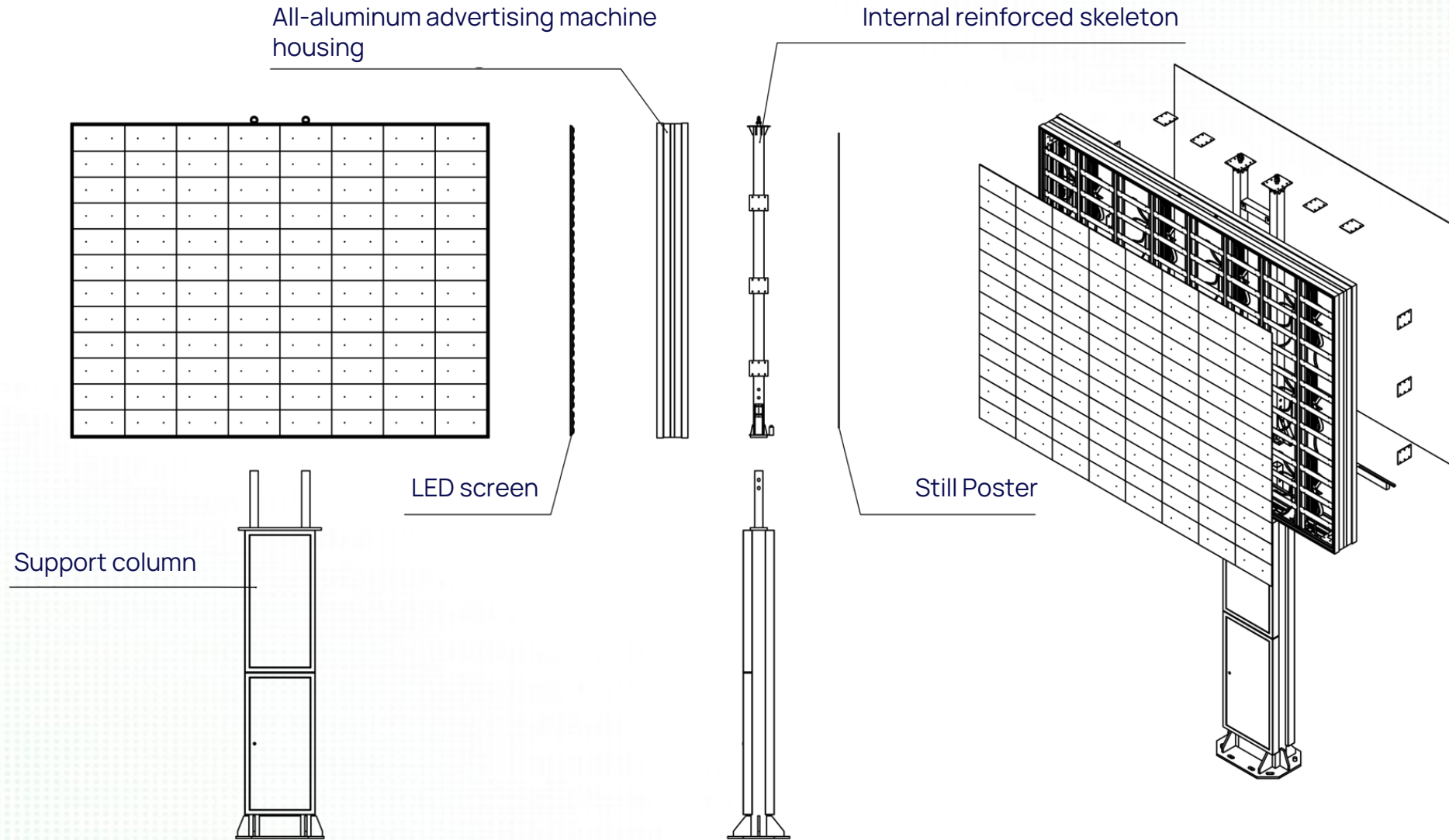


Dimensional and structural drawings

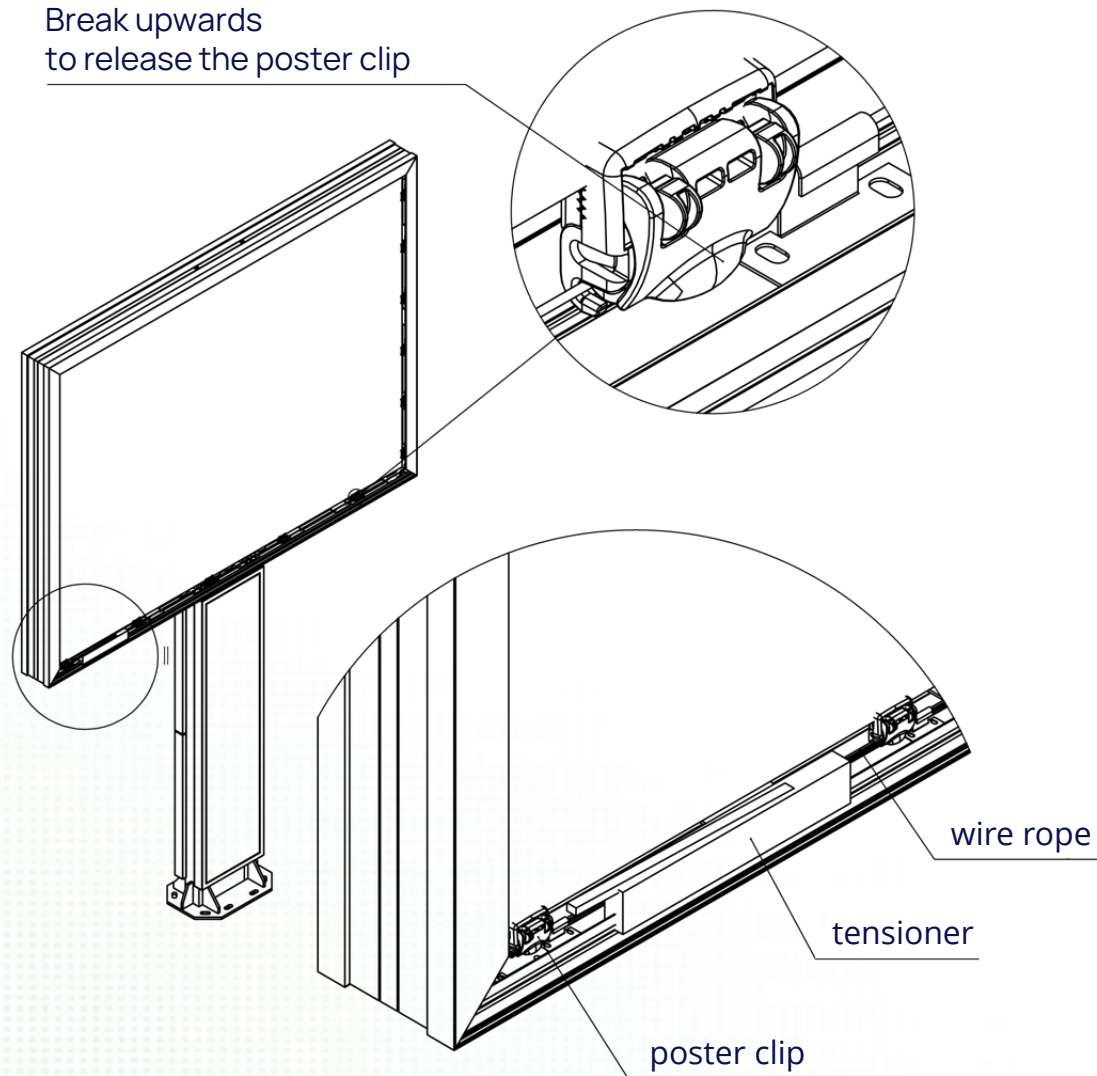
The rings can be removed after installation



Dimensional and structural drawings



Static Poster Maintenance Replacement



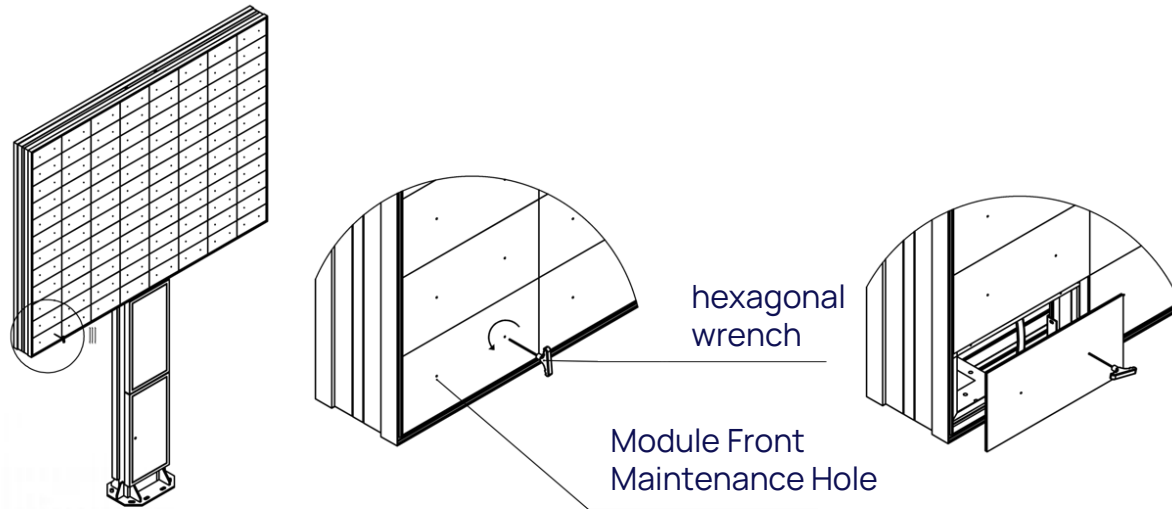
Static poster disassembly

Use the tensioner to loosen the wire rope, the wire rope in the tensioner will be released, the top of the picture will slowly fall off with the extension of the wire rope, and then loosen the picture all around the picture clip, the picture can be removed.

Static Poster Installation

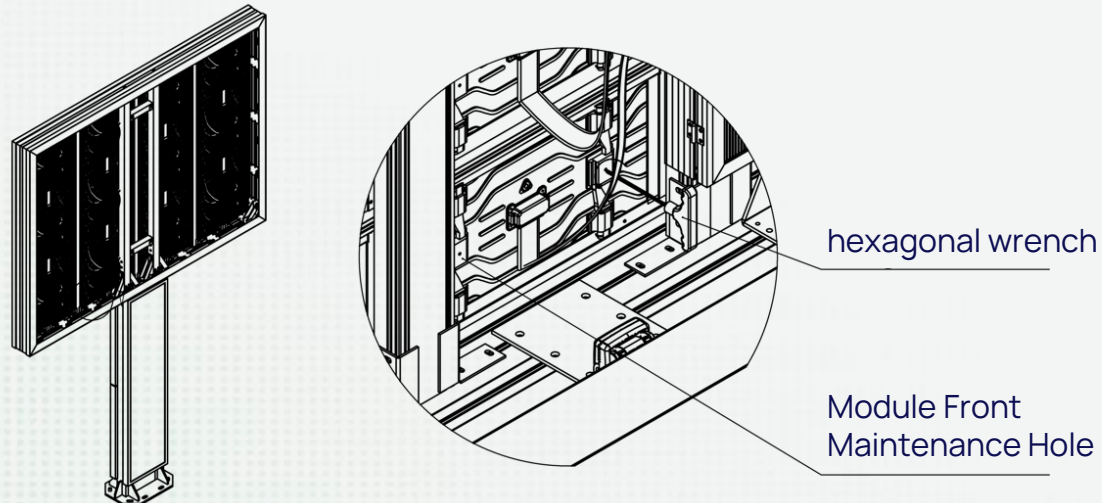
Wire rope down, with the wire rope on the poster clamp clamped around the poster, up and down swing the handle on the tensioner, tighten the wire rope, poster replacement is complete!

Module Maintenance Methods



Module front maintenance method

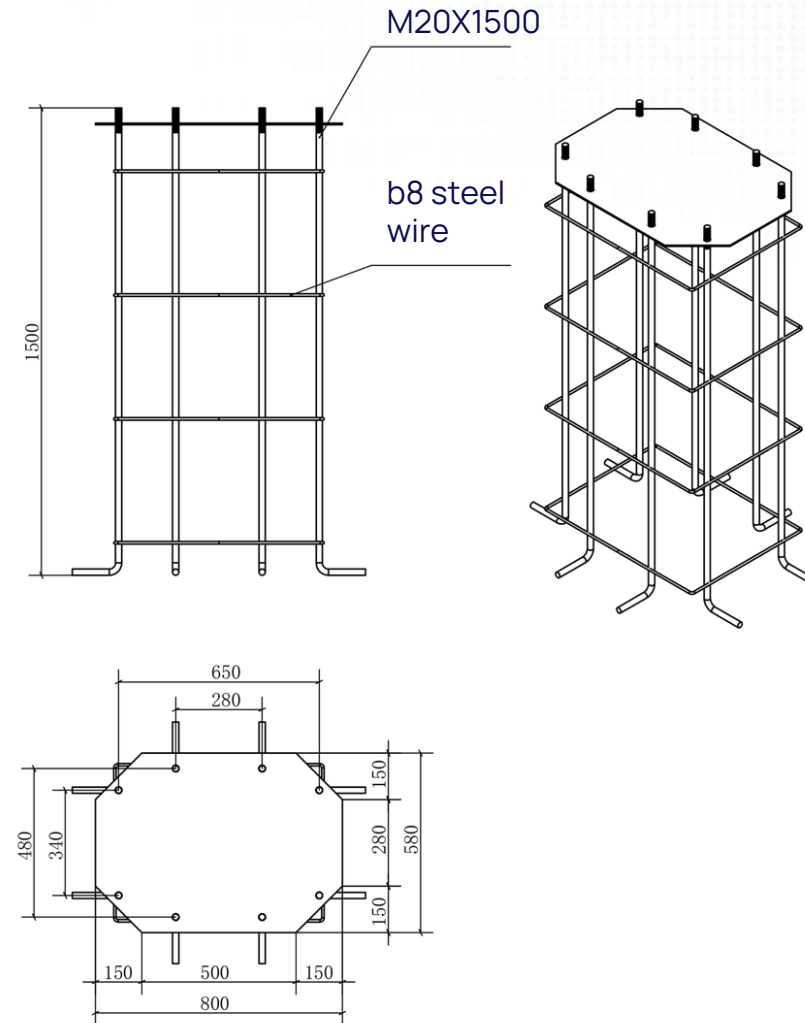
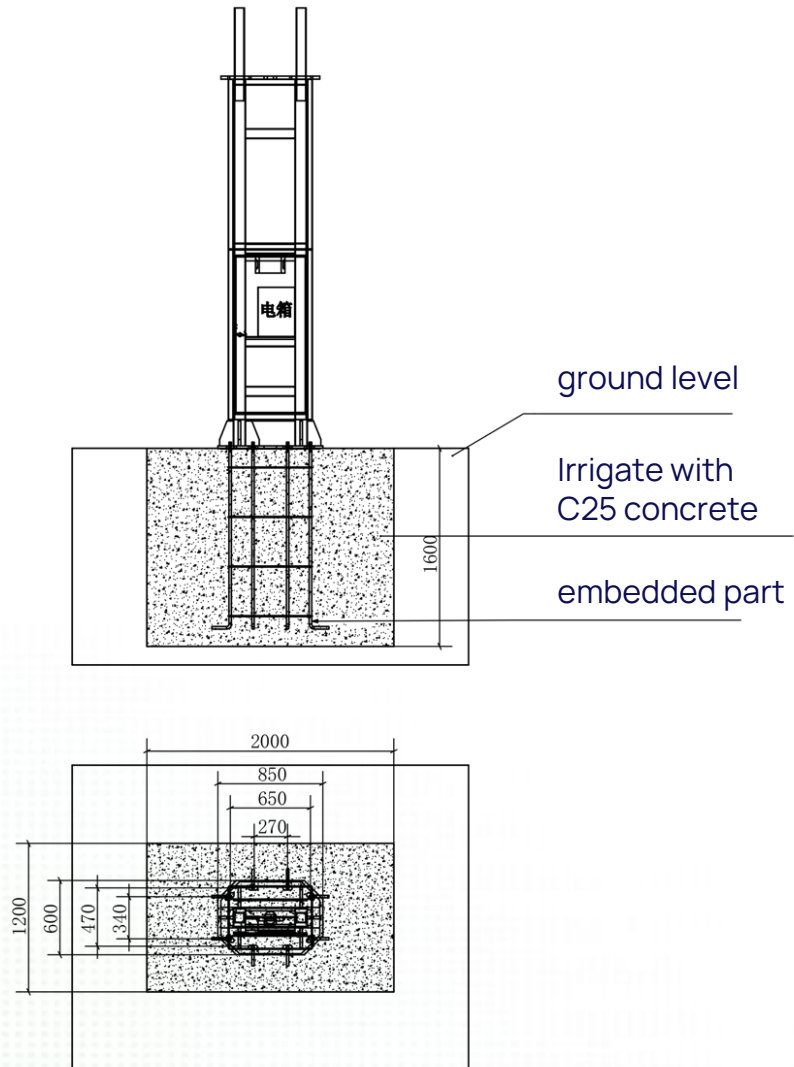
Find the mounting holes in front of the module, insert the hexagonal wrench into the mounting holes and select counter clockwise by about 200° to loosen the module (Note: When the module is loosened, you need to hold the front of the module top prevent it from falling down due to gravity).



Maintenance method behind the module

Find the mounting holes in front of the module, insert the hexagonal wrench into the mounting holes and select counter clockwise by about 200° to loosen the module (Note: When the module is loosened, you need to hold the front of the module top prevent it from falling down due to gravity).

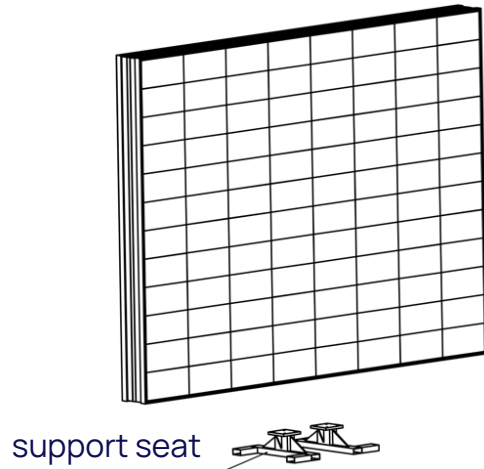
Installation of pre-buried



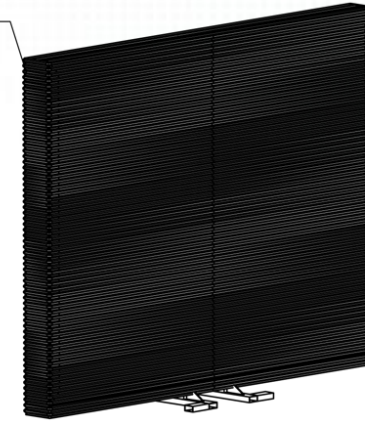
Complete machine packaging

Step 1

Lift the screen and install the support base



Layers of EPE foam



Step 2

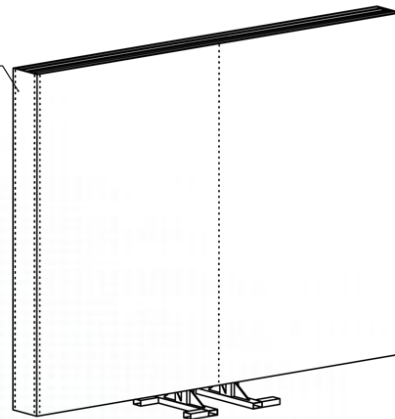
The periphery of the advertising box is first wrapped with a circle of pearl cotton

Step 3

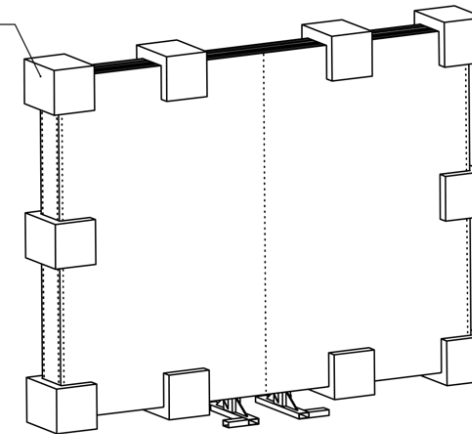
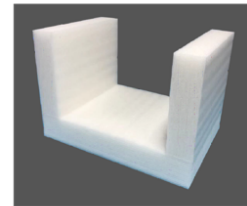
Wrap the pearl cotton with shrink wrap to fix it tightly.



Polyethylene PE Film Stretch Film



Foam corner guard

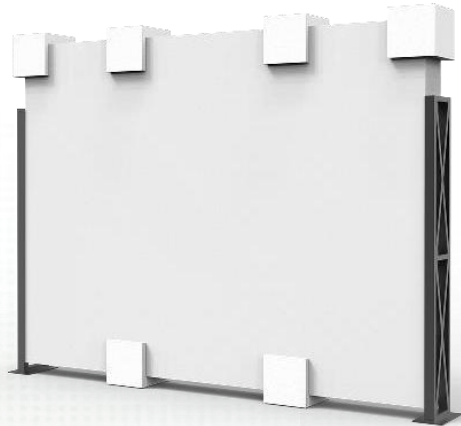


Step 4

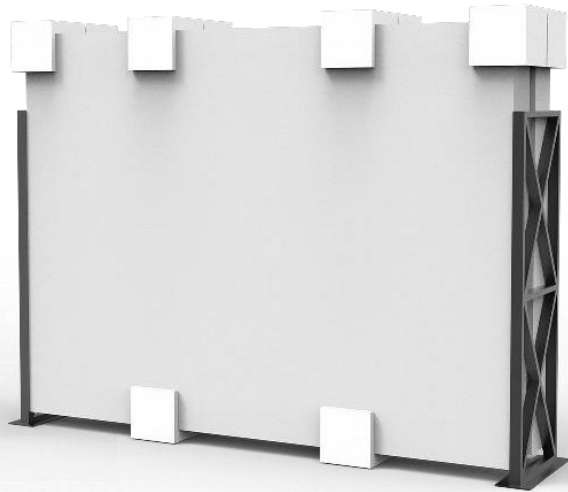
Foam corners guard are added around the perimeter, i.e. the package is complete

Container transportation

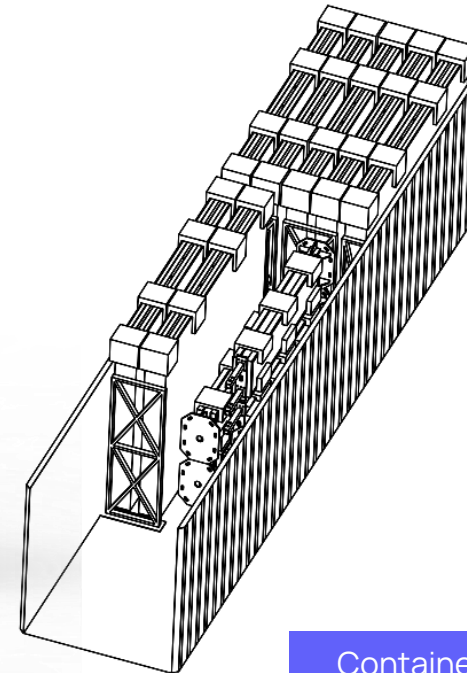
The 40 feet open top cabinet can hold 7 sets of 4*3 meters LED billboard and 7 sets of 3 meters support columns.



Single packer



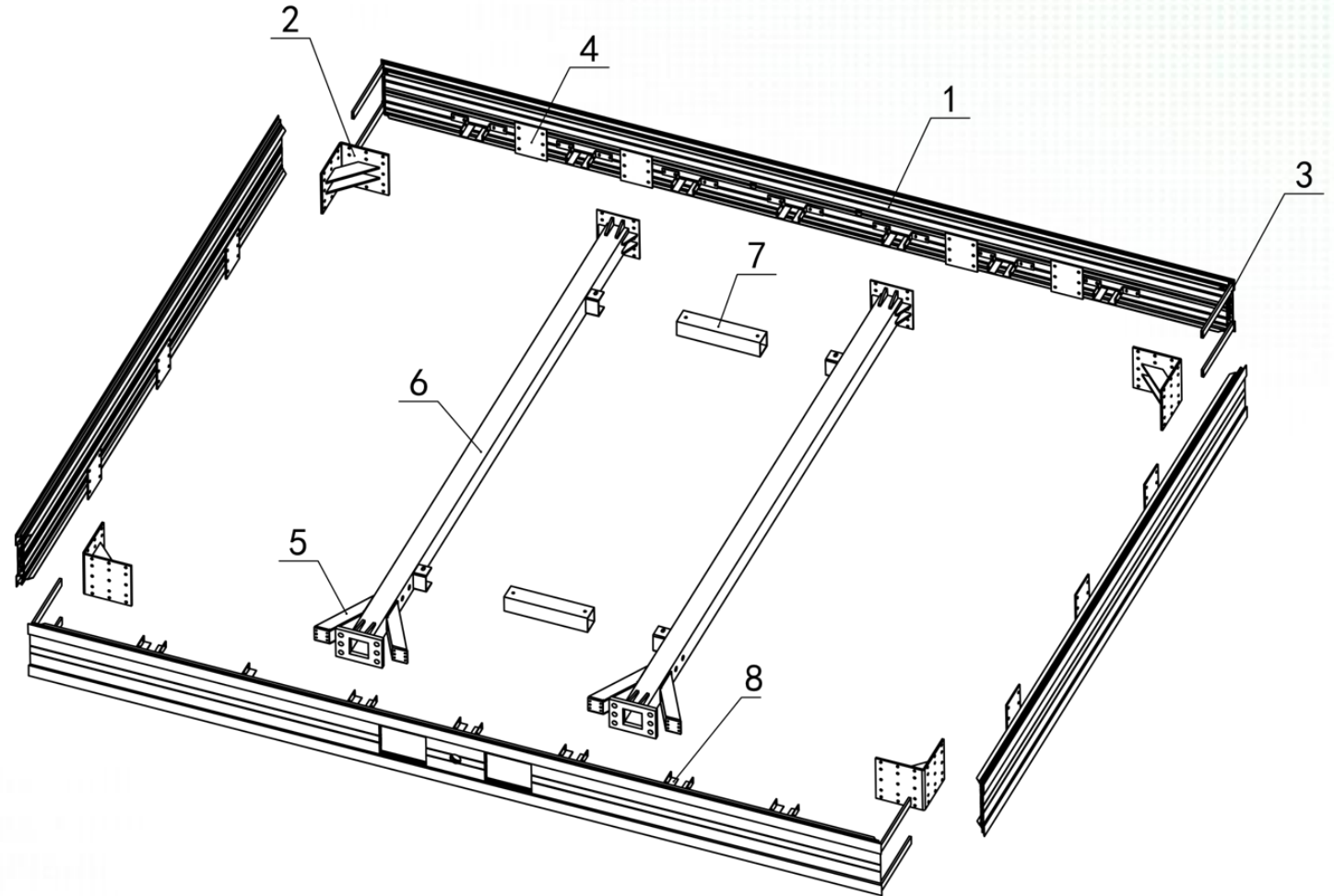
Two machines packed together



Container shipments

DIY approach to advertising machines

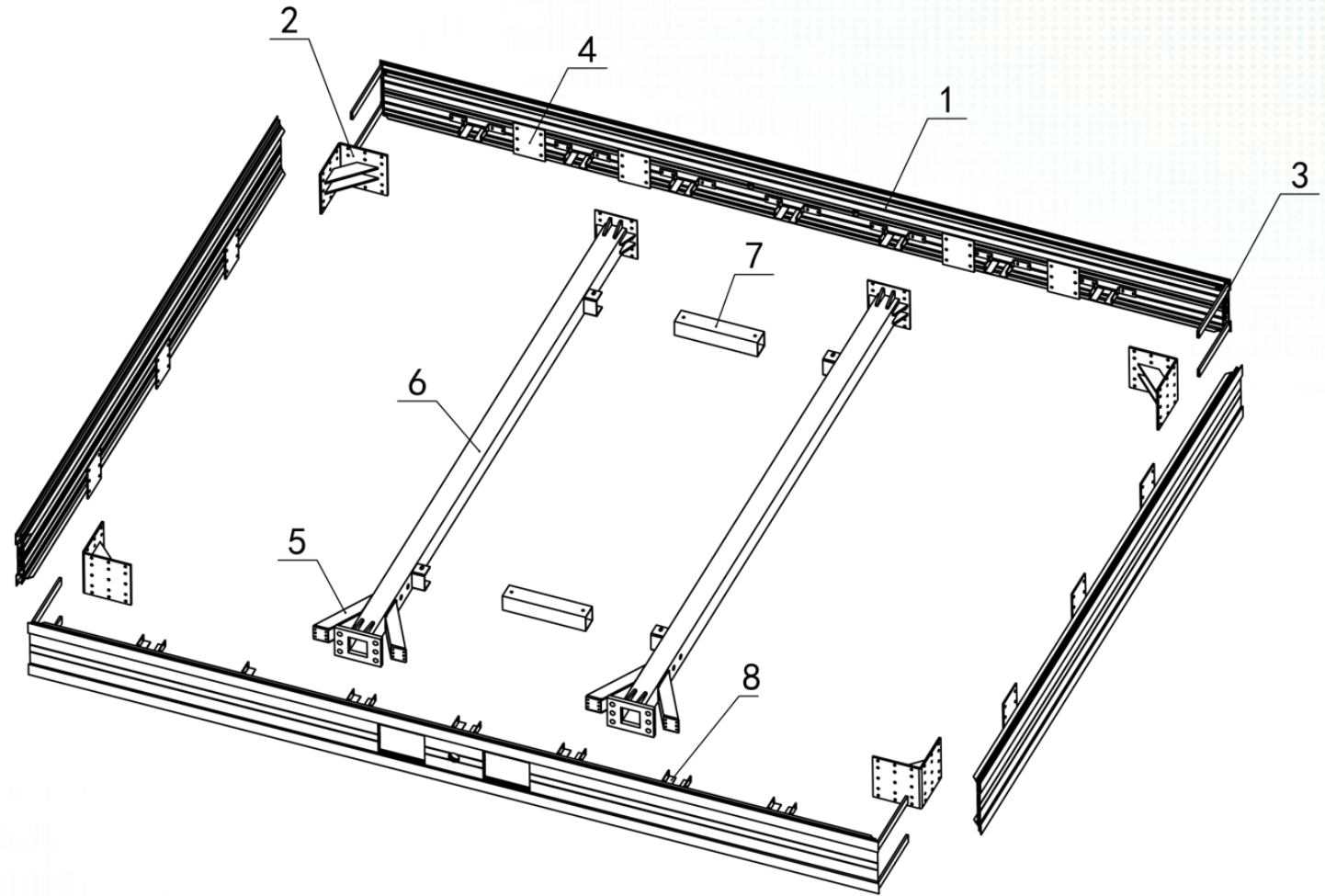
1. Aluminum frame - 4 weeks of aluminum
2. Aluminum reinforcement corners-4 corners
3. Aluminum inner reinforcement square - 4 corners
4. Aluminum fastening sheet metal - top and bottom, left and right
5. Reinforcement skeleton support feet - left and right reinforcement
6. Internal reinforcement skeleton - left and right two
7. Skeleton reinforcement pass-through-upper and lower two
8. Upper and lower crossbeam fixing sheet metal



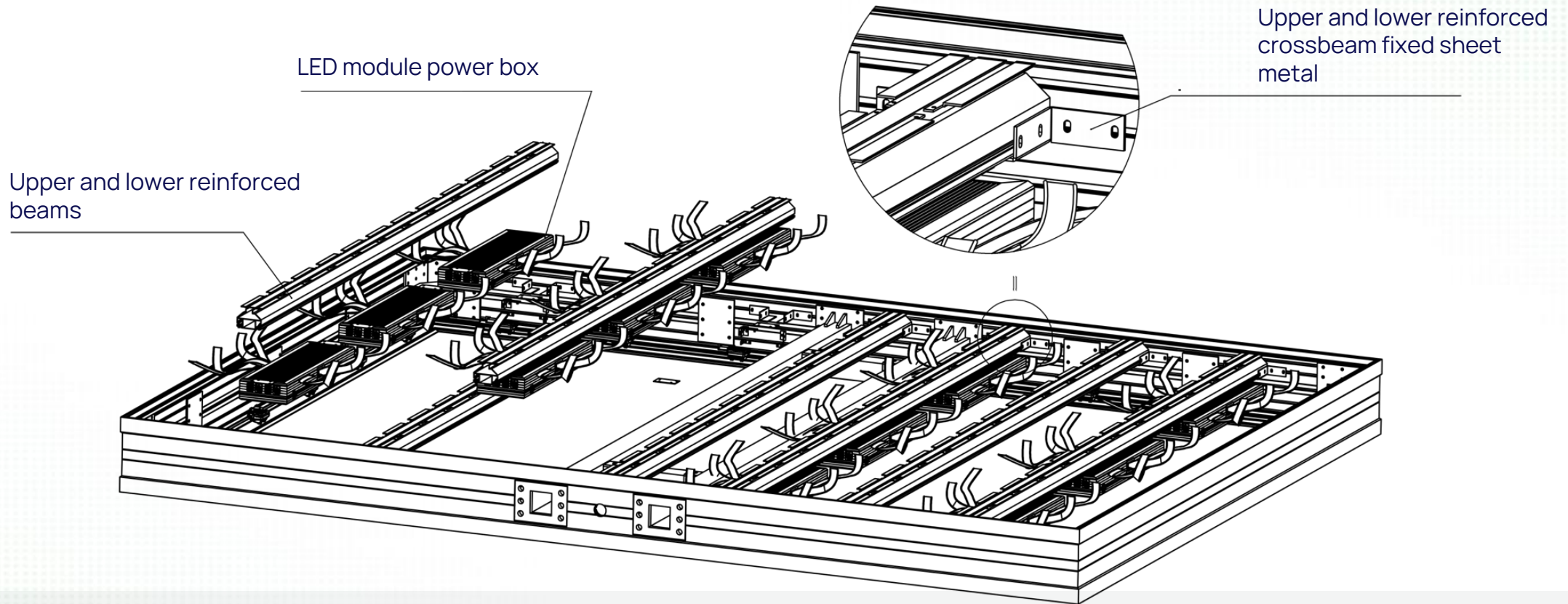
DIY approach to advertising machines

Installation steps:

1. Tuck serial number 3 into the aluminum frame on one side (as shown above)
2. Stuff the left and right aluminum frames along the serial number 3 into the aluminum, and put together a four-sided frame
3. Install the 4 corners of the aluminum with serial number 2 and tighten the screws.
4. Use serial number 4 to tighten the aluminum, top and bottom, left and right.
5. Stuff two serial number 6 into the aluminum frame, the aluminum frame has been opened under the notch, pay attention to the direction of the
6. Install the serial number 5 on both sides of the serial number 6 for reinforcement, and then install the serial number 7 on the serial number 6 for reinforcement.
7. Install the serial number 8 to the aluminum 4 weeks (later need to use)



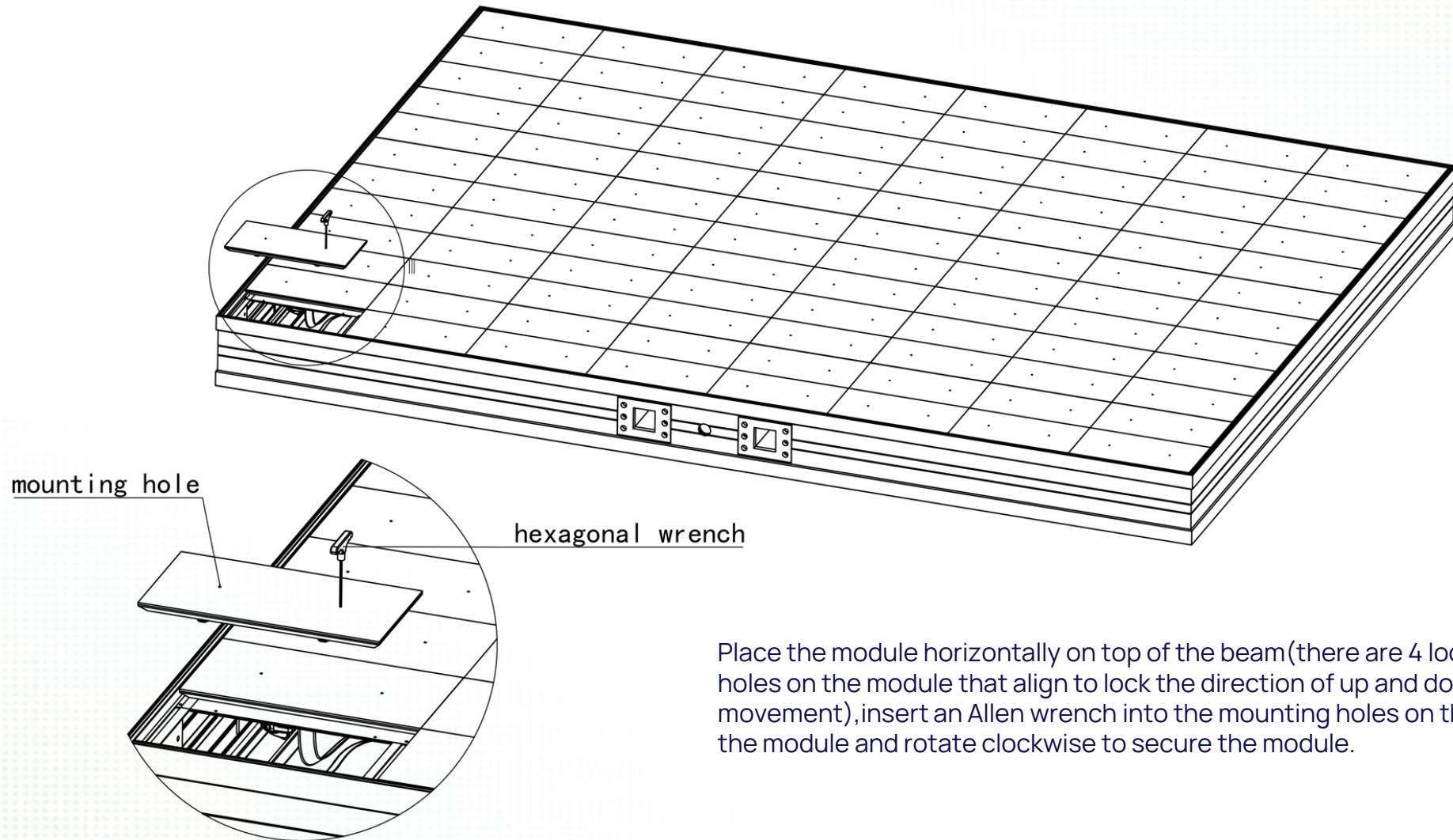
DIY approach to advertising machines



Installation steps:

1. Install the module electrical box behind the upper and lower reinforced beams in advance
2. Install the 7 upper and lower reinforced crossbeams onto the aluminum frame (Note: the front of the crossbeams should be flush with the aluminum frame)


DIY approach to advertising machines




Place the module horizontally on top of the beam (there are 4 locating holes on the module that align to lock the direction of up and down movement), insert an Allen wrench into the mounting holes on the front of the module and rotate clockwise to secure the module.

**We look forward to
working with you soon.**



1300 125 635 

sales@onq.digital 

Level 10, 650 Chapel Street, South Yarra VIC 3141 