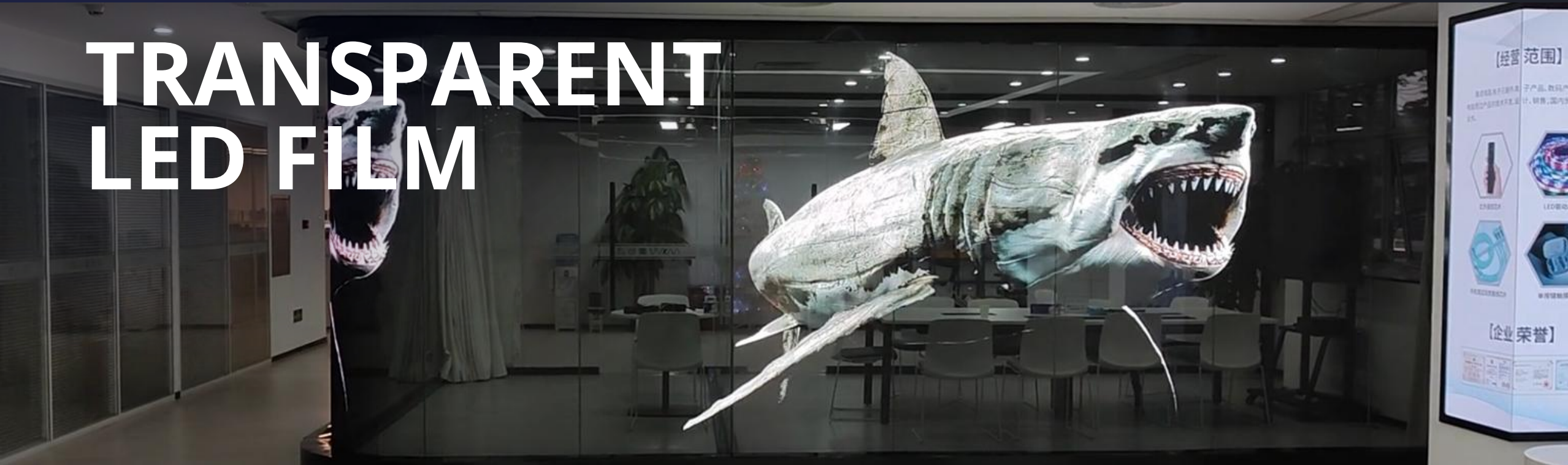


**Calling all  
attention-seekers.**



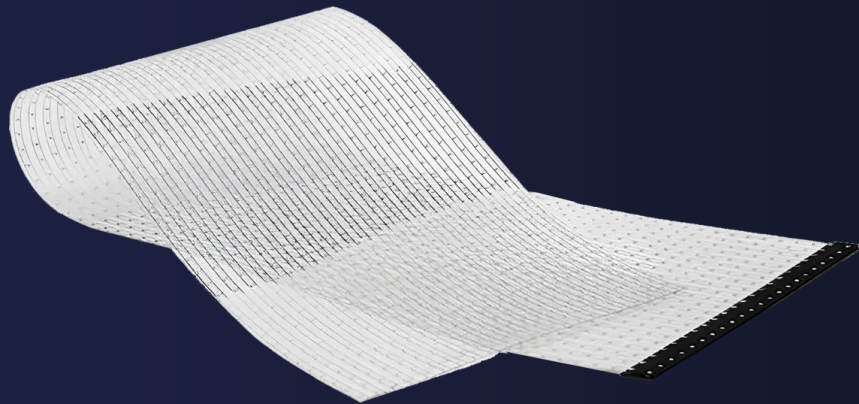
# TRANSPARENT LED FILM



## Applied Directly to Glass

High-end materials that are extremely clear, thin, and resistant to high temperatures are employed in the construction of the Transparent LED Film. With a meticulous design, the board achieves up to 80% transparency.

The screen body, which does not require any structural framework, can be seamlessly assembled horizontally and vertically, reaching display dimensions of 3 metres in height or width. This versatile LED film is ideal for commercial windows, glass curtain walls, and various indoor and outdoor settings.





Ultra-clear and ultra-thin, high-transparency and high-temperature resistant high-end materials are used. The light board is perfectly designed to easily achieve a permeability of up to 80%. The overall mounting without a structural skeleton, the screen body can be spliced left and right, up and down, and can achieve a display height or width of 2.4-3 meters. Commercial window, glass curtain wall and other indoor and outdoor scenes.



Front View



Rear View

L'OCCITANE  
EN PROVENCE

A large, illuminated window display with a yellow background. The top half shows shelves of L'Occitane products. The text "L'OCCITANE EN PROVENCE" is centered in the middle. The bottom half has a white banner with the text "BOOK YOUR APPOINTMENT TODAY!".

L'OCCITANE  
EN PROVENCE

BOOK YOUR  
APPOINTMENT TODAY!





POLITIX

Levi's



ALL THAT  
GLITTERS  
SHOP THE SEASON  
DISCOVER THE MAGIC

CHADSTONE  
THE FASHION CAPITAL

1 THE SOCIAL QUARTER  
P4 CAR PARK B  
P3 CAR PARK B  
G GROUND





OLIVER LALES



**GODWIN  
CHARLI**  
ATELIER

Kooloff  
Architecture  
STUDIO BRANT  
Entrance on Oliver Lane



BLUEBELL  
BRIDAL

FABRICS

END  
SHARED  
ZONE  
Oliver La

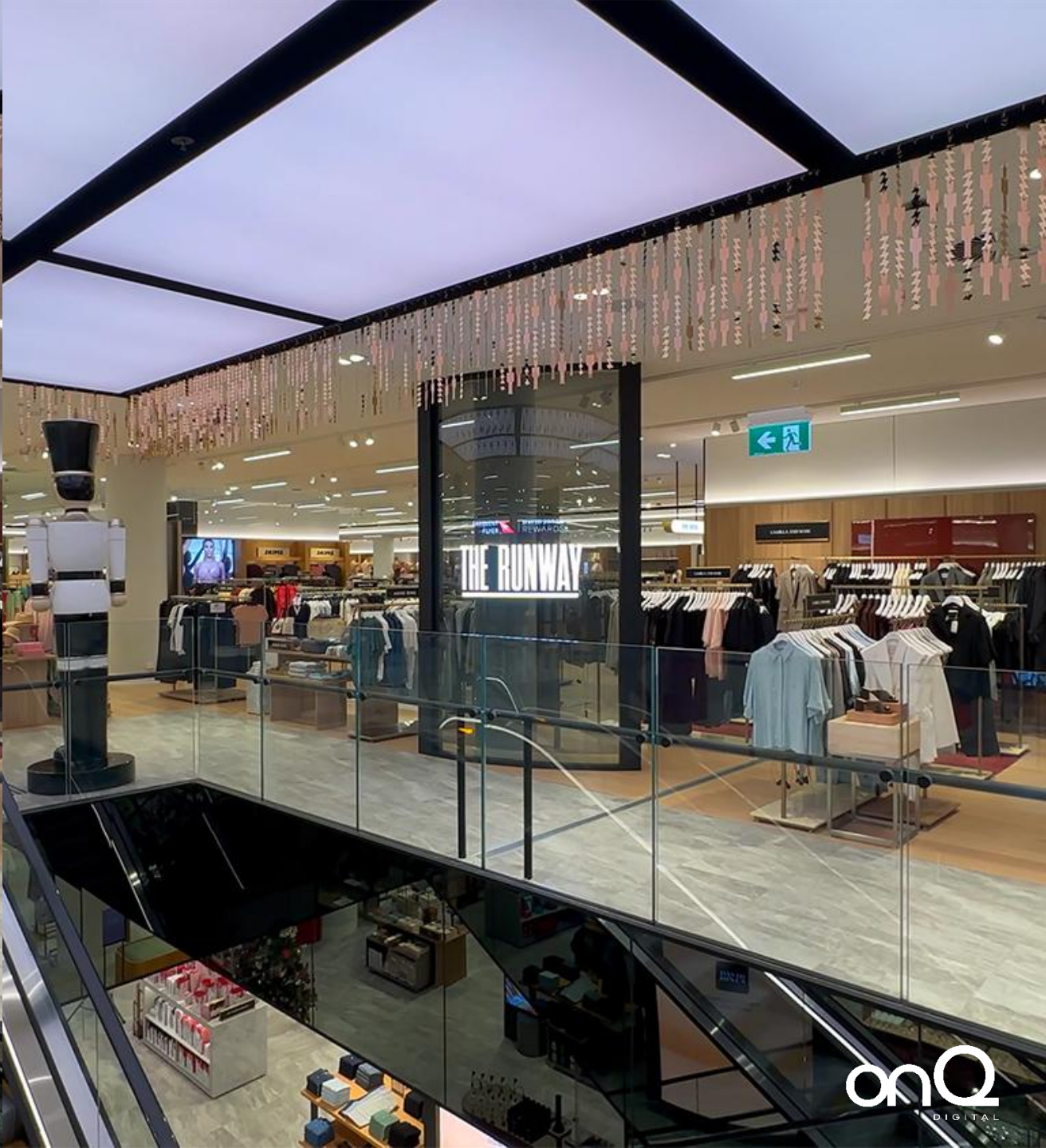
END  
NO  
ENTRY

Lease  
Action  
Liquors  
Stamp

SPRINKLER  
BOOSTER  
SPRINKLER  
CONTROL  
VALVE

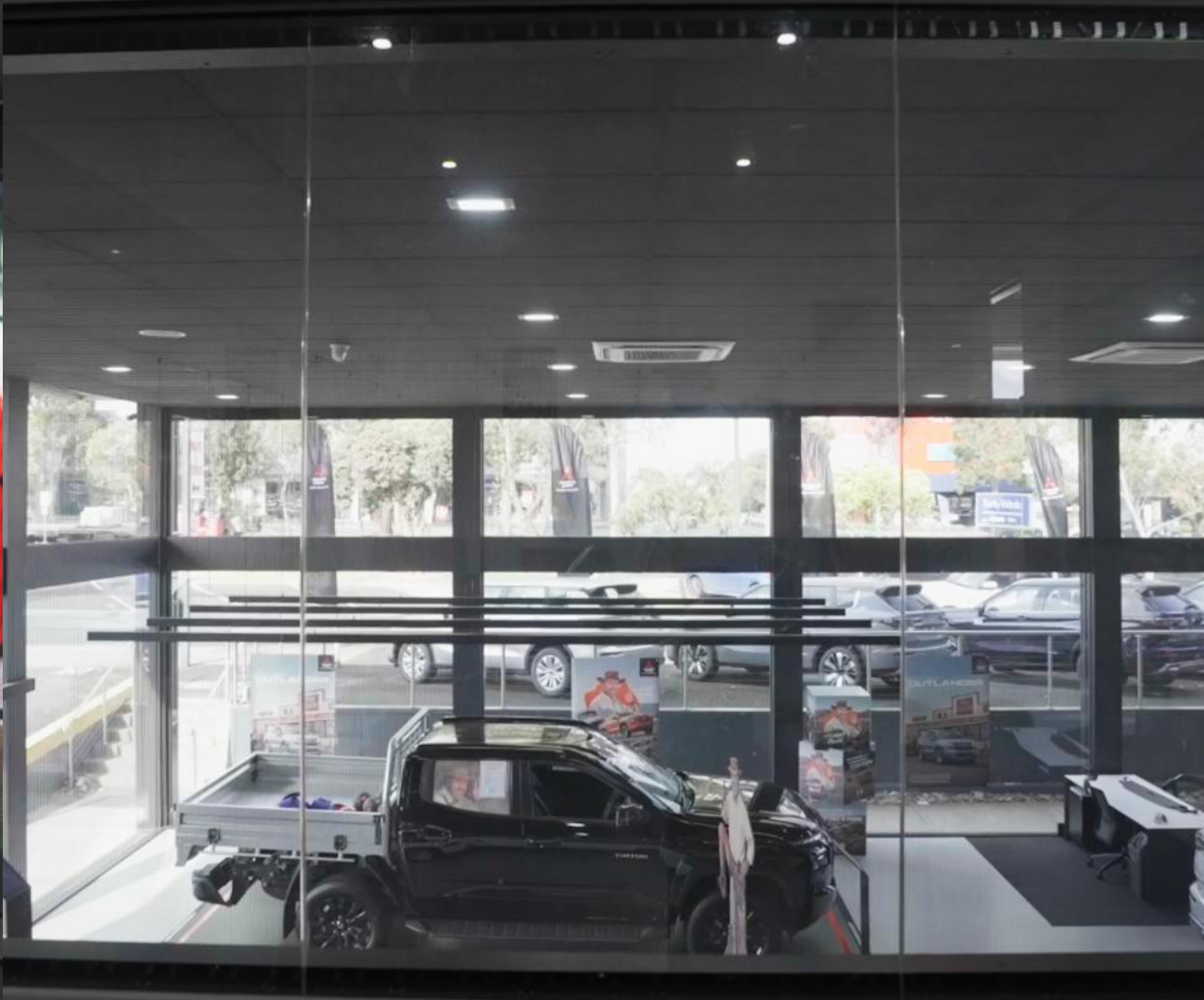
OLIVER  
LA  
LOADING  
ZONE 30 MINUTE  
7 AM - 4 PM  
MON - FRI  
2P METER 4-10 PM  
MON - FRI  
7 AM - 10 PM  
SAT & SUN  
7412 7412

F  
PAY BY  
ARE





**SOFT TONNEAU COVER  
FUNCTIONAL**



# TRANSPARENT LED FILM | Specifications

Model	M2	M3	M6	M10	A3-2	A3-4
Pixel Pitch (mm)	P2.5/P2.5	P3.91/P3.91	P6.25/P6.25	P10/P10	P3.91 / P3.91	P3.91 / P3.91
Pixel Density(dot/m')	160000	65536	25600	10000	65536	65536
Transparency Rate	70%	80%	90%	85%	80%	80%
Display Dimension	125x1000	250x1000 - 250x1171	250x1175 - 250x1475	250x1000	1000x2000	2000x2000
Profile Dimension	125x1000	250x1025 - 250x1200	250x1200 - 250x1500	250x1000	1021x2230x75 1021x2452x500	2021x2230x75 2021x2452x500
Resolution (dot) (w*h)	50x400	64x256 - 64x300	40x188 - 40x236	25x120	256x512	512x512
Brightness (cd/m')	≥1200	≥3000	≥5000	≥4000	≥3000	≥3000
Weight(Kg/set)	1.63	1.6	1.6	1.2	40	60
Encapsulation Type	Light Board & Driving Board Integrated					
Scanning Mode	Static Driving (Single Pixel Single Control)					
Lifespan	≥100,000.00 hours					
Pixel Configuration	16bit					
Maximum Power Consumption	800					1000
Average Power Consumption	300					375

# TRANSPARENT LED FILM | Specifications

Model	M2	M3	M6	M10	A3-2	A3-4
Control System	Colorlight / Novastar					
Input Voltage	AC100~240V 50/60 Hz					
Working Voltage for Module	DC4.2V+ 0.2V					
Working Temperature	Temperature -20C~50C					
Working Humidity	Humidity: 20%-85% (Without Condensation)					
Storage Temperature	Temperature -20°C~60°C					
Storage Humidity	Humidity: 10%-85% (Without Condensation)					
Protetion Degree	IP20					
Frame Material	/	/	/	/	Aviation Aluminum Alloy	Aviation Aluminum Alloy
Installation Environment	Indoor					
Way Packing	Pearl Cotton + Wooden case / Airbox					

# TRANSPARENT LED FILM



## Floor Standing

We offer an alternative LED poster design that is freestanding and portable. The display modules can be easily added or removed to accommodate different usage environments such as exhibitions, stages, and other scenarios.



## Hanging Up

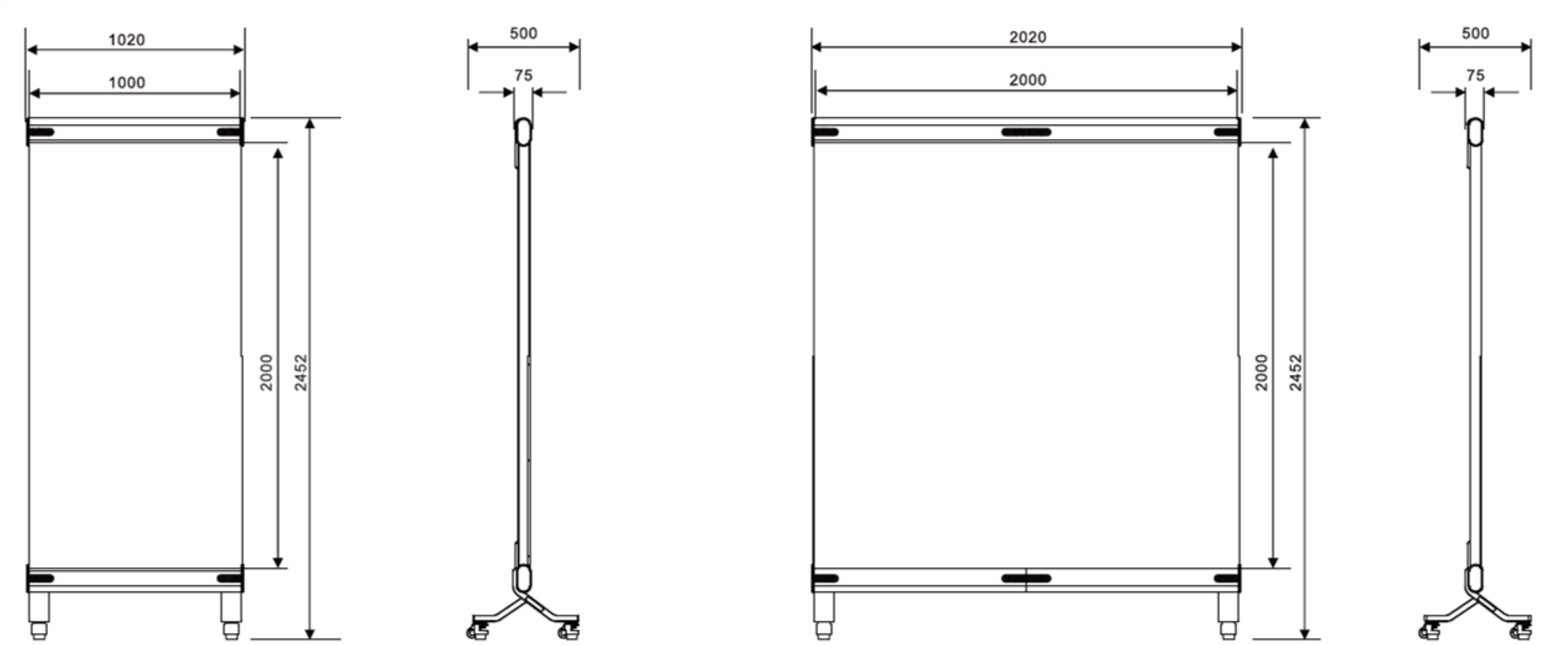
Additionally, we have a hanging option available that is lightweight and effortless to install. It is ideal for stage performances, door curtains, and other advertising scenes.

# TRANSPARENT LED FILM | Floor Standing & Hanging

Model	M3	M3
Size (mm)	1000*2000	2000*2000
Pixel Pitch (mm) (horizontal / vertical)	P3.91/P3.91	P3.91/P3.91
Pixel Density (dot/m2)	65536	65536
Profile Dimension (mm) (w*h)	1021x2452x500	2021x2452x500
Display Dimension (mm) (w*h)	1000x2000	2000x2000
Resolution (dot) (w*h)	256x512	512x512
Weight (kg/set)	37	58
Brightness(cd/m2)	4000	
Encapsulation Type	Light Board & Driving Board Integrated	
Scanning Mode	Static Driving (Single pixel single control)	
Lifespan	≥ 100,000.00 hours	
Pixel Configuration	RGB 3-In-1	
Grey Scale	65536(16bit)	
Average Power Consumption (w/m2)	280	
Maximum Power Consumption (w/m2)	800	
Control System	Colorlight / Novastar	
Connection Type	Supporting WiFi / DVI / HDMI / DP / USB / RJ45 / Network Remote Control (Based on the controller model)	
Input Voltage	AC100~240V 50/60Hz	
Working Voltage for Module	DC4.2~5V ±0.2V	
Frame Material	Aviation Aluminum Alloy	
Maintenance Way	Front	
Installation Environment	Indoor	
Control System	Colorlight / Novastar	

# TRANSPARENT LED FILM

# Drawing





# Transparent LED Adhesive Film

What is the maximum width and height of Transparent LED Film?

The single led module size for our M3 (3.91mm pitch) is 250mm(W) x1000mm(H), 250mm(W) x1200mm(H), or 250mm x 1500mm the maximum screen height for our M3 is 3m.

The single led module size for our M6 (6.25mm pitch) is 250mm(W) x1200mm(H) or 250mm(W) x1500mm(H), and the maximum screen height for our M6 is 3m.

There is no limitation of the screen width for M3 or M6 model.

If the screen height exceeds 3m in height, there will be control box bar which will need to be installed at the intersection every 3m in height.

This control box bar can also be installed vertically and the maximum width before each additional vertical control box would therefore be 3m

# LED Panel distribution



The screen height is 1M/1.2M/1.5M and the control box can be placed on the top or at the bottom of the led screen, there is no limitation about screen width.

Control Box On The Top



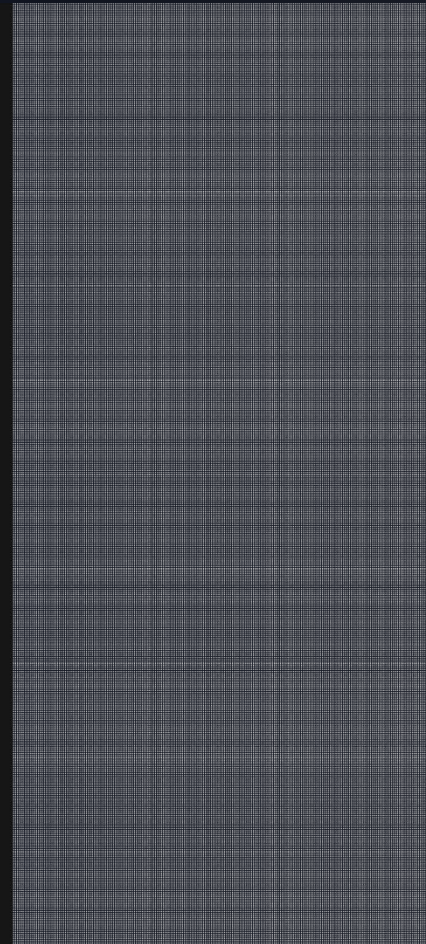
Control Box At The Bottom

# LED Panel distribution

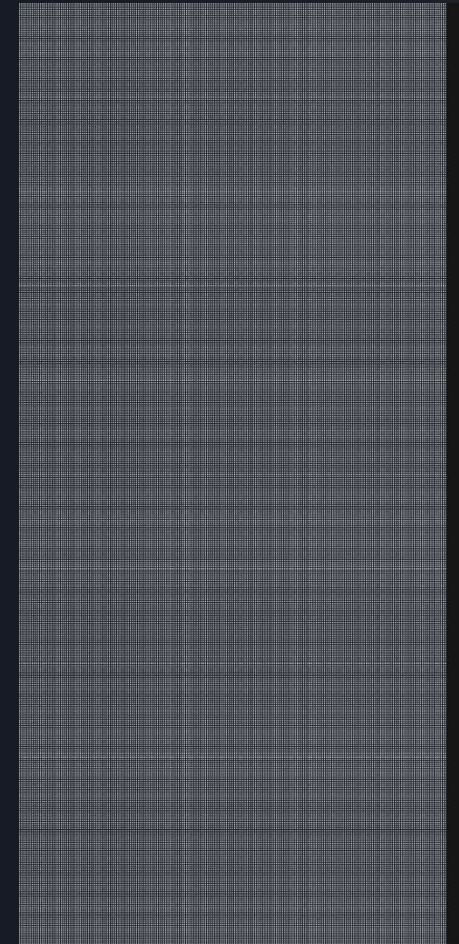


The screen width is 1M/1.2M/1.5m and the control box can be placed on the left or right side of the led screen, there is no limitation about screen height.

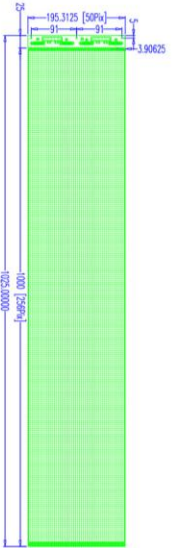
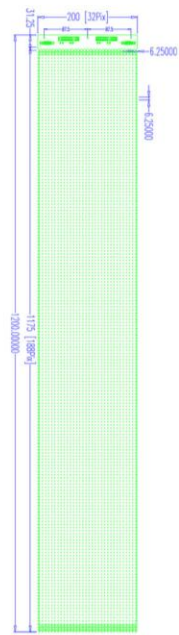
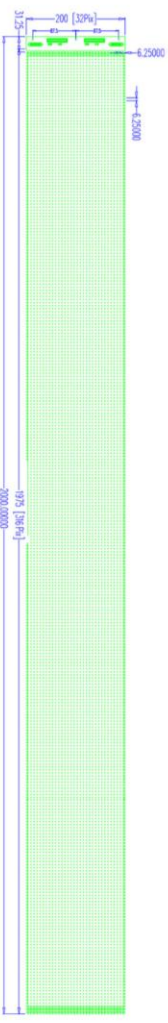
Control Box On The Left Side



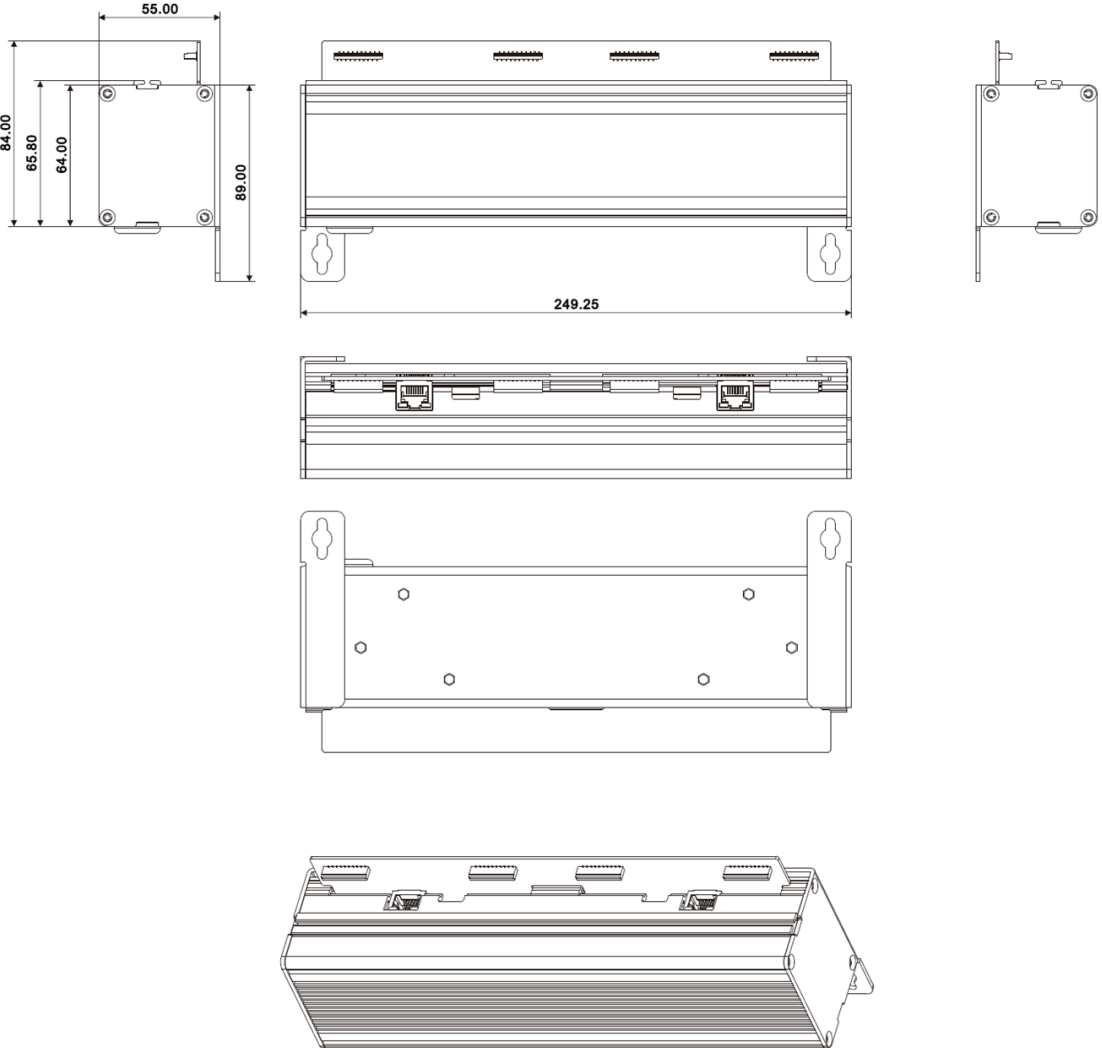
Control Box At The Right Side



M2-Regular Screen			M3-Regular Screen				M6-Regular Screen			
P2.5 125*1025mm 50*400Pix	P2.5 125*1200mm 50*470Pix	P2.5 125*1500mm 50*590Pix	P3.91 250*1025mm 64*256Pix	P3.91 250*1197mm 64*300Pix	P3.91 250*1500 64*376Pix	P3.91 250*2000mm 64*504Pix	P6.25 250*1025mm 40*160Pix	P6.25 250*1200mm 40*188Pix	P6.25 250*1500mm 40*236Pix	P6.25 250*2000mm 40*316Pix
Black Face LED: 800-1200nits			Black Face LED: 3000-4000nits White Face LED: 4000-4500nits		Black Face LED: 1500-2000nits White Face LED: 2500-3500nits		White Face LED: 5000-6000nits			

M3-Regular Screen				M6-Regular Screen			
P3.91 195*1025mm 50*256Pix	P3.91 195*1197mm 50*306Pix	P3.91 195*1500mm 50*376Pix	P3.91 195*2000mm 50*504Pix	P6.25 200*1025mm 32*160Pix	P6.25 200*1200mm 32*188Pix	P6.25 200*1500mm 32*236Pix	P6.25 200*2000mm 32*316Pix
Black Face LED: 3000-4000nits White Face LED: 4000-4500nits		Black Face LED: 1500-2000nits White Face LED: 2500-3500nits		White Face LED: 5000-6000nits			
							

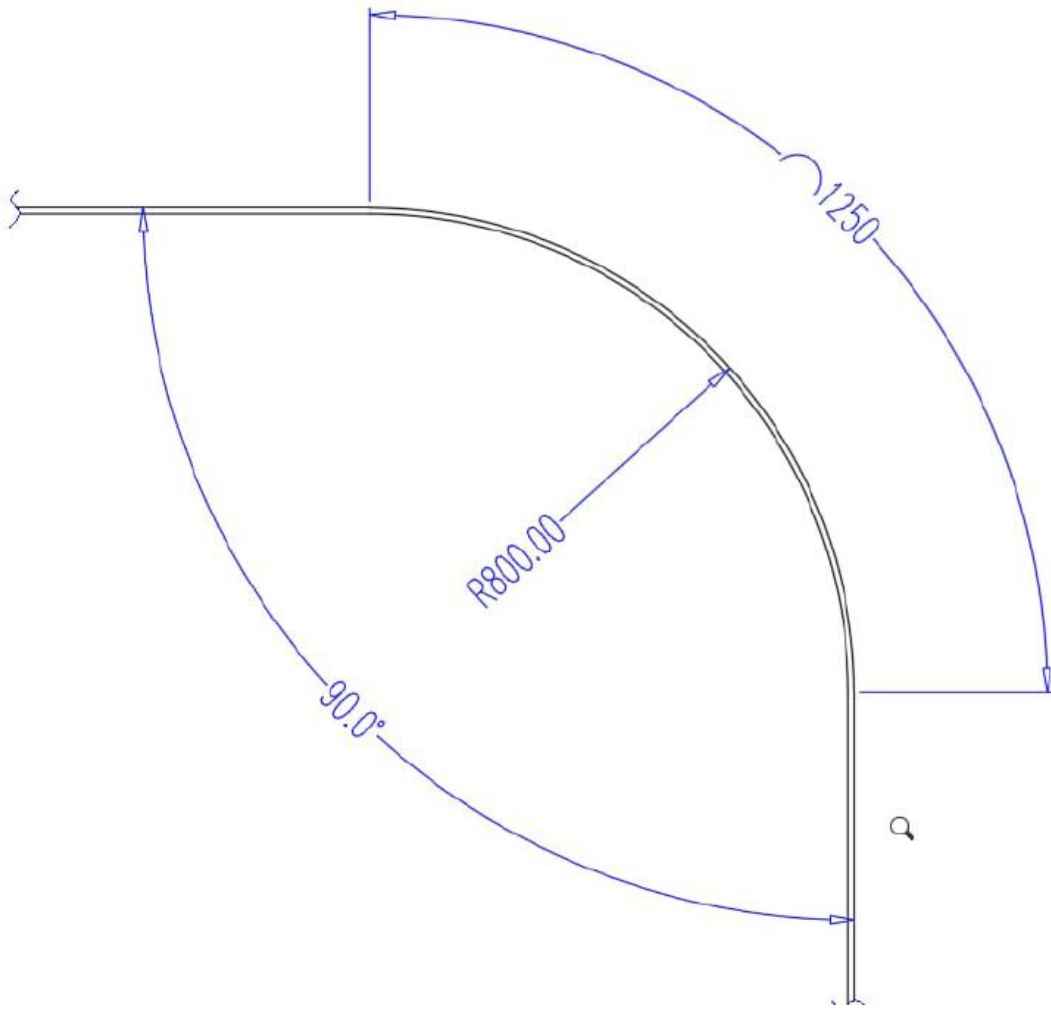
# Power Box Dimensions





# Curved Screens

Minimum Radius for Curved Screens is 800mm





## FAQ's

**Can the Transparent LED Film be installed on the backside of the glass or acrylic?**

Yes, you can. The Transparent LED Film can be adhered to the front of the glass/acrylic or backside of the glass/acrylic

**Can this product be used outdoors?**

The Transparent LED Film is not weather rated for outdoor use. It is however High Brightness (4000-5000 nits) and can be viewed under direct sunlight when installed behind a window /glazing

**What type of adhesive does the film use and can the element/panel be removed easily from the glass after use?**

It's a transparent and patented adhesive. The led module can be removed easily however it is primarily for fixed installations, and it is not recommended to remove and re-install the led modules repeatedly.

The maintenance is easier than traditional led screens and you can use a soldering iron to change the defective led pixels or send these back to the factory for professional repair

# FAQ's

**How does the Transparent LED Film perform in an extreme heat or cold environment?**

The Transparent LED Film has been tested in conditions of +50°C and -20°C without issue or failure

**Have you tested the Transparent LED Film and LED pixels you use in a high UV-radiation environment, and can it still work reliably for a long time?**


Yes. The Transparent LED Film comes with a 2-year Warranty and is rated for at least 100,000 working hours


**Is it possible to have the element/panel with transparent plastic power box instead of black as an option?**

No transparent plastic power box is currently available but the other colours like white can be customized and supplied

**We look forward to  
working with you soon.**



1300 125 635 

sales@onq.digital 

Level 10, 650 Chapel Street, South Yarra VIC 3141 