



Making damn good furniture since 1969'

Flip One Tilt Table

<https://www.kmtubular.com.au/products/flip-one-tilt-table-frame-only>

Specifications

Frame Height: 710mm

Base: Castor

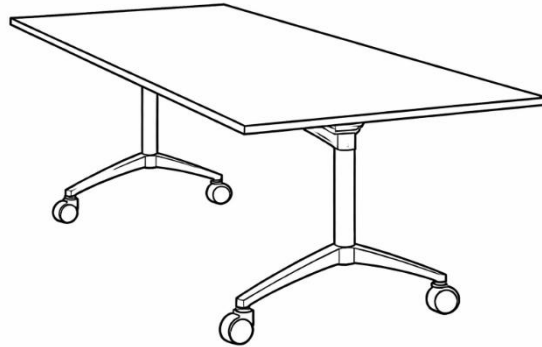
Material

Mild Steel

Finishes

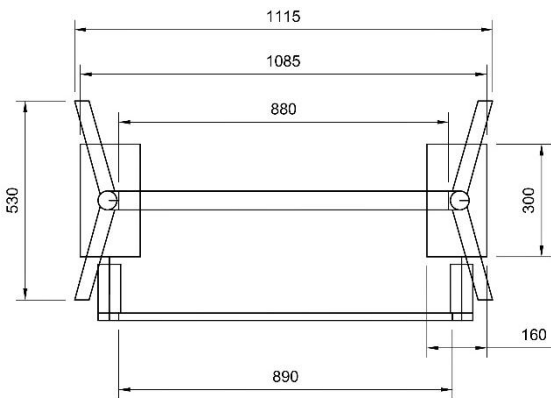
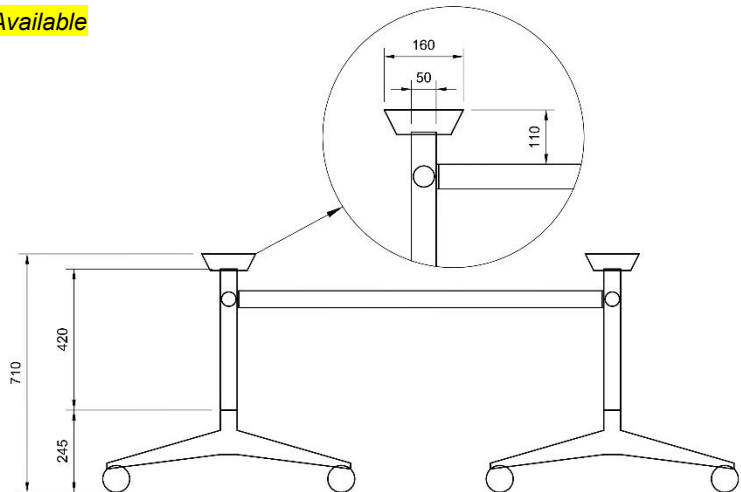
Leg: Powder Coat

Fin: Anodised Aluminium

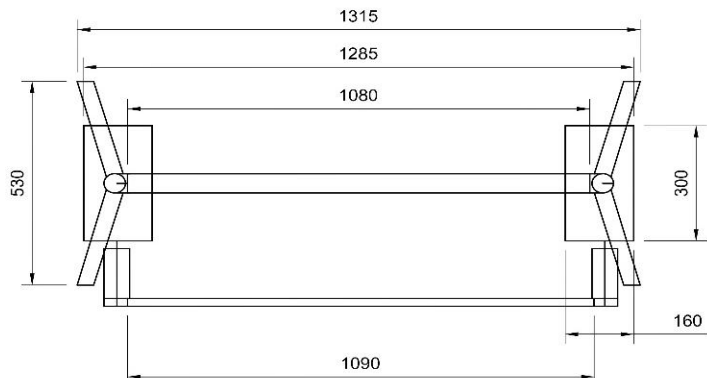


Configuration Schedule - *Custom Manufacturing Available*

To Suit Tops	Product Code
1200mm x 750mm	KMFLIP11200
1500mm x 750mm	KMFLIP11500
1800mm x 900mm	KMFLIP11800
Special Sizes	



Short Flip Rail



Long Flip Rail