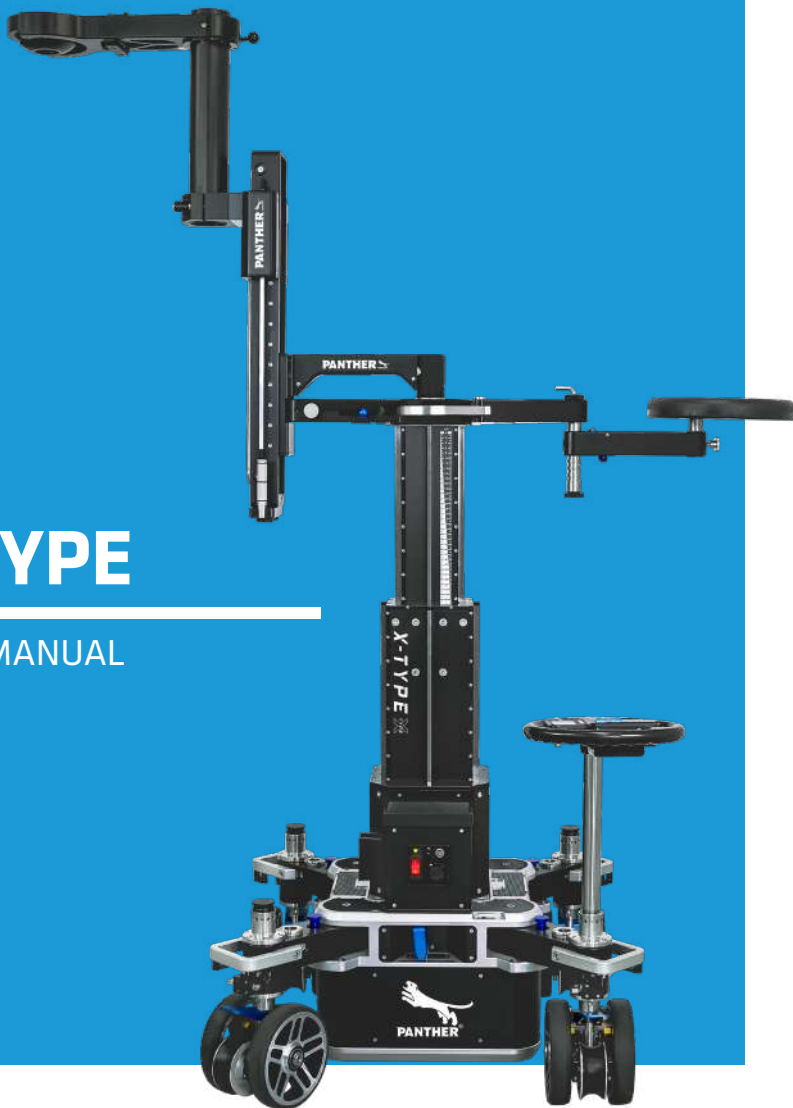




X-TYPE

USER MANUAL



www.panther.tv

INTRODUCTION

Congratulations to your decision of purchasing or renting your Panther X-Type Dolly. We are pleased that you made your decision in favor of equipment, which combines state-of-the-art technology and many years of experience in manufacturing camera support equipment.

Selected materials and a great know-how ensures that in practice you have a wide variety of possibilities, which you will appreciate during shooting. Your new Panther X-Type Dolly is a high-quality and modern equipment giving the creative cameraman a new easy way to control your movements and get more flexibility.

The Panther X-Type Dolly is a very useful Dolly, developed by specialists for specialists in order to meet the expectations of every cameraman or grip.

To ensure that you will love working with your Panther X-Type Dolly and that all requirements during shooting can be fulfilled considering utmost safety and reliability, please carefully read this user manual.

With our best wishes

Andreas Fitz

CEO | Executive President
Panther GmbH

TABLE OF CONTENTS

TOPIC	PAGE
Technical Data	6
Basic Knowledge	8
Preparing	9
Seat & Seatarm	9
Carrying Handles	11
Power Supply	12
Initial Operation	16
Bluetooth Handset	17
General	17
Connect Handst with Dolly	20
Speed	21
Ramps	22
Limits	23
Settings	24
Super Jib Mode	25
Programming Movements	26
Control Panel	26
Wheels	27
General	27
Changing Wheels	28
Big Wheels	30

TABLE OF CONTENTS

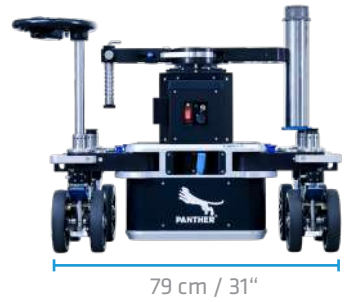
TOPIC	PAGE
Steering	31
General	31
Steering Modes: STEER	32
Steering Modes: CRAB	33
Steering Modes: CONVENTIONAL FRONT	34
Steering Modes: CONVENTIONAL REAR	35
Steering Rods	36
Steer Out Extension	37
Push Bar	39
Accessories	42
Counter Weight Arm	42
Foldable Column Platforms	43
Ring Platform	44
Column Dolly Platforms	46
High Low Turnstile	47
Range Extender	49
Center Mount	52
Center Mount Extension	53
Base Plate	54
Adapter Disc	55
Flex Arm	56

■ TABLE OF CONTENTS

TOPIC	PAGE
Transport	57
Carrying the Dolly	57
Notes	58



TECHNICAL DATA



Length (Dolly)	85 cm / 33,5"
min. Width (Dolly)	53 cm / 20,7"
max. Width (Dolly)	79 cm / 31"
min. height turnstile (center position)	68 cm / 26,8"
min. height Bowl / Mitchell (center position)	76 cm / 30"
max. height turnstile (center position)	135 cm / 53,5"
max. height Bowl / Mitchell (center position)	144 cm / 57"
Track Width	36 cm / 14" and 62 cm / 24,5"
Wheel Base	75 cm / 29,5" 62 cm / 24,5"
Ground Clearance	4 cm / 1,6"
Column Payload Dolly Payload	250 kg / 550 lbs 800 kg / 1770 lbs
Lift range Lift range with Range Extender	68 cm / 27" 135 cm / 53"
Battery	2 x 24V
Column transport weight Dolly transport weight	67 kg / 147 lbs 80 kg / 176 lbs

TECHNICAL DATA

LOAD CHART



Note:

The specifications refer to the Vario Slider, without counterweights, which is mounted in the centre of the X-Type. If counterweights are used, the slider on the Dolly can be loaded with even more weight.



TECHNICAL DATA

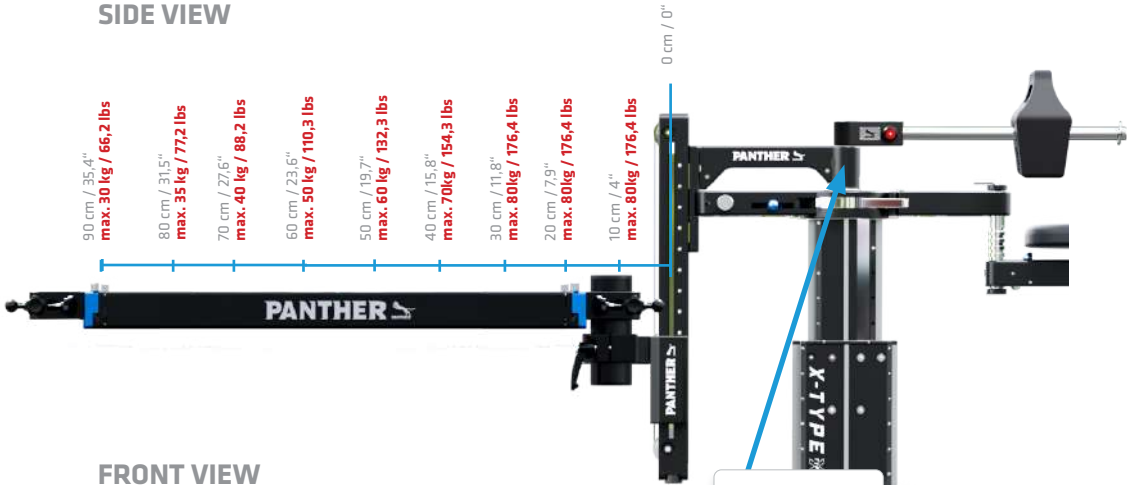
LOAD CHART ON RANGE EXTENDER



Note:

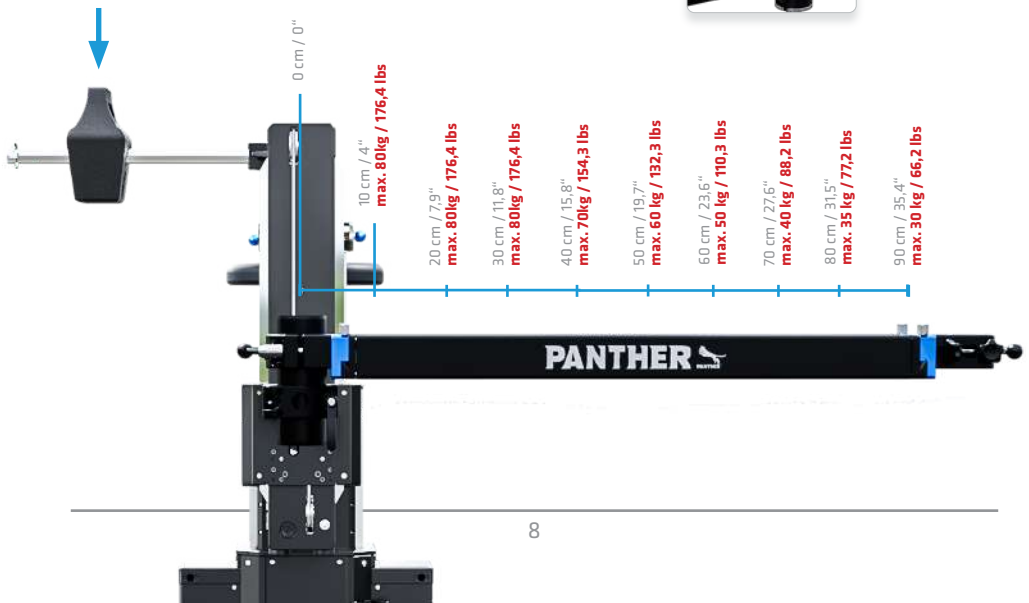
The specifications refer to the Vario Slider mounted onto our Range Extender. Please make sure to add Counter Weights to stabilize the Dolly.

SIDE VIEW



FRONT VIEW

Make sure, you use enough Counter Weights!



Connect Counter Balance Rod (310836) & Holder for Counterweight Arm (178530) directly on our Range Extender

BASIC KNOWLEDGE

Removable Column

The column can be detached from the base Dolly for easy transport.



High Low Turnstile

The Dolly column has a patented, 360° rotatable High-Low-Turnstile for multiple use.



Panther Allen Key
integrated in Column or Dolly



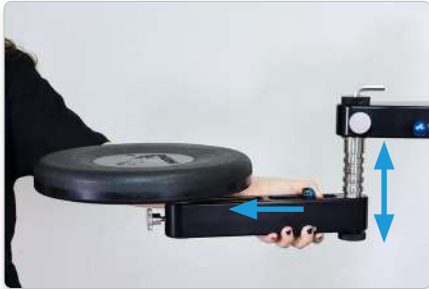
PREPARING SEAT & SEATARM

Standard Position

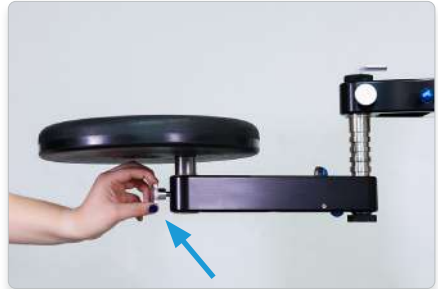


When delivered, the seat is already attached to the High-Low turnstile. If a higher and closer position to the camera is required, the seat can be attached to the Dolly in a different ways.

Change Seat Position



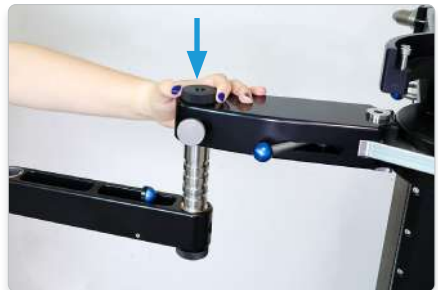
Press the blue button to adjust the seat up or down.



Turn the marked screw to remove the seat from the holder.



Remove seat.



Loosen the marked screw.

PREPARING SEAT & SEATARM



Screw on 25mm pin adapter (314453).



Attach 30cm extension (177133).



Attach the seat.



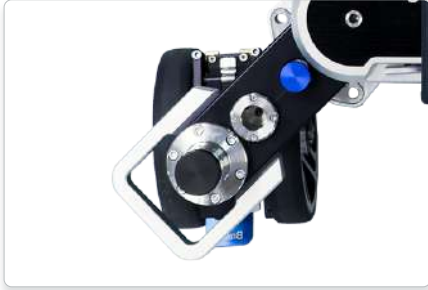
For more comfort we offer a seat cushion (124881).



PREPARING

Carrying Handles

Standard Position



The X-Type is equipped with carrying handles as a standard. These are used to make the Dolly easier to move and carry. The carrying handles can be detached for tight spaces.

Remove Handles



Use the Panther Allen Key to remove the marked screw.



Remove another screw and pull the handle.



The handle is now removed.



PREPARING POWER SUPPLY (CHARGING STATION)

Dolly Batteries



The X-Type Dolly is a fully electro-mechanical Dolly. You need 2 batteries (302577) to operate the X-Type. Each pair of batteries lasts for one shooting day. We recommend you to reload it after every shooting day, even if they are still not empty. Further interaction about battery and power supply can be found in the *Power Supply manual*.

Charging Station



Charge smart: with the Charging Station (313165) you can charge up to 2 Batteries simultaneously. It has an integrated handle and a very compact design.

Additional features:

- Dolly Power Supply
- Can also charge „Snap-On“ Batteries (Classic Dolly) via cable
- Input: 100-240V
- Output: 2x 24V, 4A

Case for two charging stations



There is also a Case (313225) available with space for 2 Charging Stations.

PREPARING

POWER SUPPLY (CHARGE BATTERIES)



The Panther X-Type Dolly may only be operated with the original Panther batteries. Although the batteries left our warehouse fully charged, it is possible that a long transit time/low temperatures caused the batteries to empty. Please check this before operation. Fully charge the batteries before first use.

Charge during use



You can also charge the X-Type Dolly during use. To do this, simply connect our power cable (313426) to the plug on the front and to the charging station.

Note: The batteries must be in the Dolly

Battery level



Our latest batteries have an integrated display on the top to show the battery level in %.

PREPARING POWER SUPPLY (CHARGE BATTERIES)

Charge Single Battery



Use our charger for one battery (312859) to charge only one battery.

Charge Charging Station



Use our Charging Station to charge up to two batteries.

Charge Case for Charging Stations



Use our Case for two Charging Stations to charge up to four batteries.

PREPARING POWER SUPPLY (Handset)



Please note, that if your Bluetooth Handset is connected to the X-Type via cable the power will be taken from the Dolly batteries, which decreases the battery capacity of your Dolly.

Charge Bluetooth Handset regular



To charge the Bluetooth Handset you can use the standard charging cable (310848) and plug it into a wall socket. The display will show „charge“ instead of the remaining capacity.



Charging via Dolly connection



Despite charging the Bluetooth Handset on the wall socket you can connect it directly to your Dolly. Everytime you have a wired connection from the Handset to the Dolly, the Handset will be charged.

We offer 3 different lengths of the cable:

- 310787 Cable for Bluetooth Handset, 60cm
- 313626 Cable for Bluetooth Handset, 10m
- 313875 Cable for Bluetooth Handset, 25m

■ INITIAL OPERATION

1. Charge Dolly

Connect the Panther X-Type Dolly batteries as described in „Power Supply“:

2. Check your surroundings

The Panther X-Types's (and accessories) complete lift, panning and movement range must be cleared before switching on the Dolly.

3. Connect the Bluetooth Handset



Connect the Bluetooth Handset via cable to the Dolly.

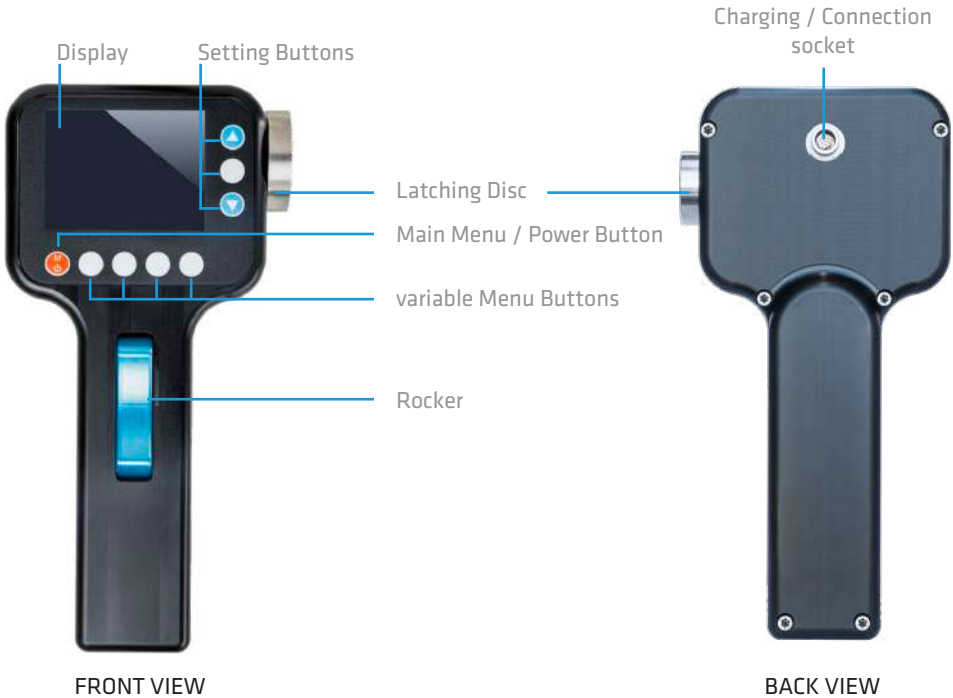
4. Switch on Dolly



Switch the Dolly on at the red main switch. Then turn on the „On/Off“ button at the Bluetooth Handset.

BLUETOOTH HANDSET

GENERAL



Display

The Display shows all current settings and allows to adjust everything with a easy user interface. The brightness of the Display is adjustable.

Buttons

Turn On / Off the Handset by pressing the Main Menu / Power button for a few seconds. The variable menu buttons are used to select the category. The Setting Buttons are used to navigate through the menu.

Rocker

Move the scissors-arm up or down with the Handset rocker.

Charging / Connection Socket

Connect the Handset via cable to synchronize with the Dolly and to charge the internal battery.

Latching Disc

The locking plate attaches the Handset control to a fluid head or to the Dolly's body.

BLUETOOTH HANDSET

GENERAL

Water resistance

The Panther Bluetooth Handset is precision-engineered to resist water and dust.
Degree of protection: IP67

IP67
(water protection)

Protection against ingress of water
in case of temporary immersion
(up to 1m/39,4" - 30 minutes)

(foreign bodies protection)

Total protection against contact, protection
against penetration of dust.

To ensure this high resistance there is no possibility of a removable battery. The Handsets' battery is totally integrated in this device. If you have problems with your battery please contact our service department (contact details can be found on the last page).

The Bluetooth Handset may not be opened by yourself. Consider that the Bluetooth Handset was not made to operate underwater. The water resistance is only to protect you device.

Frequency band

The Panther Bluetooth Handset sends on a frequency of 2,4 GHz (ISM band).

Distance

The maximum reach of the Panther Bluetooth Handset is up to 10m / 32 ft. - this value always depends on your current location (many walls or no walls, forest or field etc.).
Signal interference may occur in certain areas where many signals are present.

If an even longer range from Handset to Dolly is required, we have our antenna (313625) for a distance of up to 80m.




Attention


Please check that you always have direct sight to your Dolly during the complete time of operation! Using this mobile device without visual contact is at your own risk.

BLUETOOTH HANDSET

GENERAL

Connection Status

 Handset and Dolly connected via cable

 Handset and Dolly connected via bluetooth

Current Settings

+

Battery Status of Dolly and Handset

Scissors Arm Position in %

Menu go to menu

Speed set speed

Ramp set ramp

Limit set height limit

PRG This button can be configured as required (short cut)



BLUETOOTH HANDSET

CONNECT HANDSET WITH DOLLY



If the Handset shows „DISCONNECTED“ you need to (re)connect the Handset to the Dolly.

1. Go to **Menu**

2. Go to „Settings“

3. Go to „Connection“

4. Wait until the Handset says „Searching“



5. Now you can choose the right Dolly (to be identified with its serial number) with pressing the marked button

6. As your Handset and the Dolly are connected, the marked symbol turned from grey to blue. The Battery bar of the Dolly is shown as well.



BLUETOOTH HANDSET SPEED

Regular speeds:



The currently set speed of the column movement is shown at the marked position. To change this, the following must be done:

1. Go to **Speed**

2. Set your desired speed level with the arrows and select with the marked button.

You can choose between 5 different speed levels:

- speed 1:** 0 - 20%
- speed 2:** 0 - 40%
- speed 3:** 0 - 60%
- speed 4:** 0 - 80%
- speed 5:** 0 - 100%

The Bluetooth Handset comes with a blue high sensitive rocker. Depending on how hard you are pressing upwards / downwards the speed of the Arm increases or decreases.



Side View

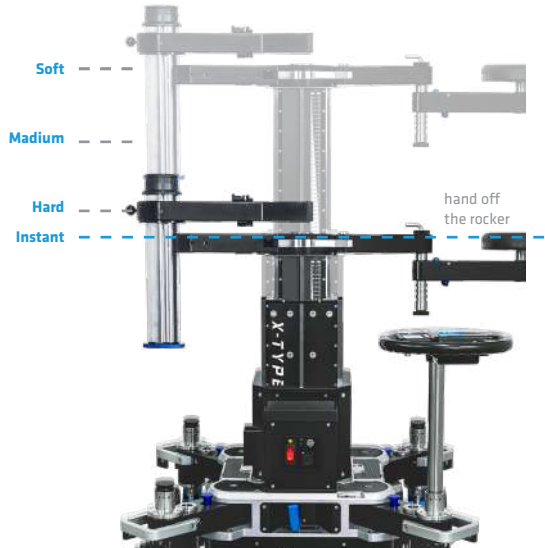
BLUETOOTH HANDSET RAMPS

What is Ramp?

There are different ramps depending on how abruptly you want the X-Type column to stop when moving up or down.

You can choose between 4 different ramps:

- Soft:** acceleration very soft, hardly perceivable
- Medium:** characteristic between soft and hard
- Hard:** strong acceleration to maximum speed, strong deceleration until stopping
- Instant:** movement stops immediately



Setting Ramps:



The currently set ramp of the column movement is shown at the marked position. To change this, the following must be done:

1. Go to **Ramp**
2. Set your desired ramp level with the arrows and select with the marked button.

You can choose between 4 different ramp levels:

- Soft**
- Medium**
- Hard**
- Instant**

BLUETOOTH HANDSET LIMITS



To make the up and down movements more precise, limits can be set at freely selectable heights.

1. Go to **Limit**

2. Set an upper and / or lower limit by selecting the right buttons for **Up** or **Down**. Move the column with the rocker to the desired position and confirm with OK (marked button).

3. The red lines mark the limits. If you want to change, deactivate or delete the limits, press **Option**.

4. If a limit is deactivated, this is indicated by a white dashed line. This can be reactivated if required.

5. Back in the main menu, the limits are still indicated by red lines (or white dashed lines if deactivated). „LIMIT ACTIVE“ is also displayed in red at the top

BLUETOOTH HANDSET SETTINGS



1. Go to **Menu**



2. Select „Settings“



Language:

Select the language that suits you best. Are you missing an important language? Please contact us and we will add it.

Shortcuts:

The button in the main menu at the bottom right is freely selectable. You can place the following short cuts on this button:

- LCD Brightness
- Program
- Go to horizontal
- Super Low



LCD Brightness:

Select the brightness of the display.

Connection:

Connect Dolly and Handset.

Rocker Calibration:

Calibrate the Rocker. this.

Brake open time:

The brake on the scissor arm makes a clicking noise. If complete silence is required when shooting, the time until the sound is heard can be delayed by up to 2 minutes.

Factory Reset:

You can do this if you want to reset the Handset to the factory settings. There is also a key combination for this: Push the marked buttons at the same time!



Info:

The software status of the Handset and the Dolly can be displayed here:



Service & Factory Menu:

Password protected. Important for Panther when servicing.

BLUETOOTH HANDSET

SUPER JIB MODE

Super Jib Mode

Super Jib Mode is to be used when using a jib on the X-Type.



Attention

If a jib is installed on the X-Type, please operate very carefully. Make sure the surrounding is completely free and that you don't harm anything or anybody.

How to activate / deactivate the Super Jib Mode



1. Go to **Menu**

2. Select „Super Jib“

3. Now you can activate „On“ or deactivate „Off“ Super Jib Mode

4. If Super Jib Mode is activated, it will be shown in the main menu

BLUETOOTH HANDSET

PROGRAMMING MOVEMENTS

The X-Type Dolly can memorise and reproduce various movement sequences. These sequences can be programmed either freely or manually.

Programming both variants is intuitive and the Handset automatically guides you through the programming process.



1. Go to **Menu**

2. Go to „Program“

3. Choose what you want to do

CONTROL PANEL

CONTROL LEDs

Control LEDs:

Power: **yellow LED** Dolly is ON



General Information



The X-Type Dolly has been designed to carry heavy loads in order to ensure you the most flexibility on set. The following table informs you about when to use which wheel do achieve the best working experience.

Studio Wheels hard	recommended to a load of max. 800 kg
Studio Wheels soft	recommended to a load of max. 350 kg
Pneumatic Wheels	recommended to a load of max. 100 kg (tire pressure 3,2 - 3,5 bar)
Big Wheels	recommended to a load of max. 100 kg (tire pressure 4,5 - 5 bar)

Distinguish the Studio Wheels



Studio Wheel hard and soft - both of them are black rubberized. To distinguish them you have to take a look onto the rim of it. Every Studio Wheel has lasered the type of wheel in the rim to make it easy to identify.

H = Hard

S = Soft



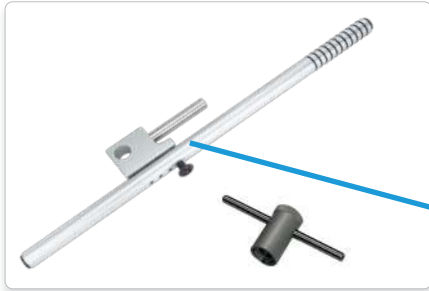
Attention

Long standing times are creating bruises on the Studio Wheels. We recommend you the usage of the Big Wheels (or other appropriate measures) for longer standing times of the Dolly.

WHEELS

CHANGING WHEELS

Dolly Jack & Wheel Changing Tool



Changing the wheels is done very fast and easy with the Dolly Jack (311199) and the Wheel Changing Tool (100453). It lifts up the X-Type in seconds without needing much power.



Dolly Jack



Snap in the platform shown at the desired height.



Push the bolt through the holes on the carrying handles (both holes!).



Pull the Dolly Jack in the direction shown.



Wheels are now free for conversion.

WHEELS

CHANGING WHEELS

Wheel Changing Tool



Use the wheel changing tool.



Place over the wheel nut and turn anti-clockwise.



Carefully loosen the wheel nut by hand. Remove the wheel and fit the desired wheel.



After use, store the wheel changing tool. Our wheel stand (175520) is best suited for this.

Different Panther Wheels



Studio Wheel
hard: 310289
soft: 310615



Studio Wheel Air
312278



Pneumatic Wheel
138802



Big Wheel
311095

WHEELS

BIG WHEELS

Big Wheels



The Big Wheels are designed to bring your Dolly easy to your location also on rough terrain. It gives the X-Type more ground clearance as usual.

Mounting the Big Wheels is done very fast and easy with the Dolly Jack (311199). It lifts up the X-Type in seconds without needing much power.



Note: The steering angle is restricted.

Attaching the Big Wheels



Lift the X-Type with the Dolly Jack.



The Big Wheels are attached to the already mounted wheels from the outside



Tighten the axle from the outside with the Panther Allen Key



STEERING

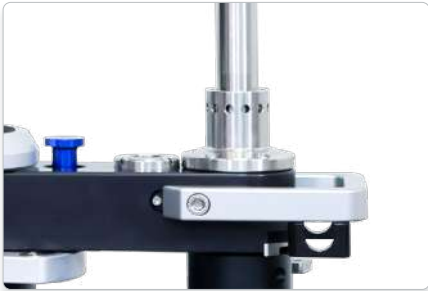
GENERAL

CRAB & STEER



The optional Crab & Steer Kit (313494) adds the STEER mode with perfect steering geometry. This is made possible by mathematically calculated sprockets in elyptic design. The result is a low-friction, low-noise and smooth maneuvering, even in curves.

Steering Sleeves



The wheel arms, machined from high-strength aluminum, have steering sleeves that can accommodate versatile accessories.

Steer Mode Selector

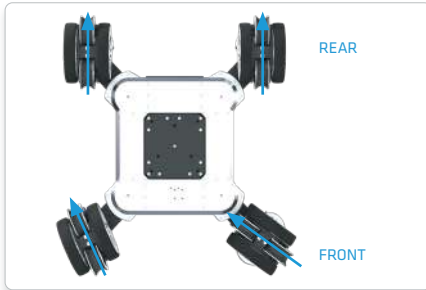


The combi-wheel-unit has been expanded to include a steer mode selector with three positions: FIX, FREE, STEER. This allows the desired position to be set with one turn, regardless of whether the Dolly is in the standard or narrow gauge.

STEERING

STEERING MODES

STEER



In STEER mode, the two rear wheels are fixed in parallel and the wheels at the front can move freely. These move with a toe difference angle and thus ensure seamless steering.



Note: For shifting from crab to steer, all wheels must be in straight position.

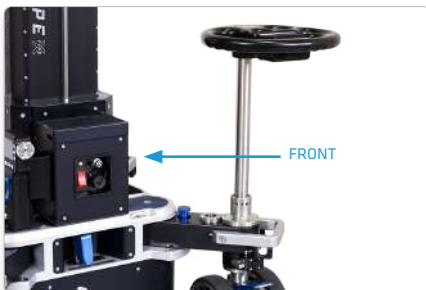
Attachment & Use



Selection lever on STEER.



All four steer mode selectors on chain.



Insert the steering rod on one of the two wheel arms at the front.

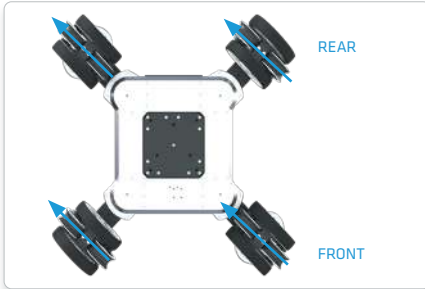


Now you can operate in STEER mode.

STEERING

STEERING MODES

CRAB



In CRAB mode, all wheels are parallel and can move freely. This means you can switch from forwards-backwards movements to right-left movements very quickly.

Attachment & Use



Selection lever on CRAB. If Crab & Steer Kit is mounted.



All four steer mode selectors on chain.



Insert the steering rod on one of the two wheel arms at the front.

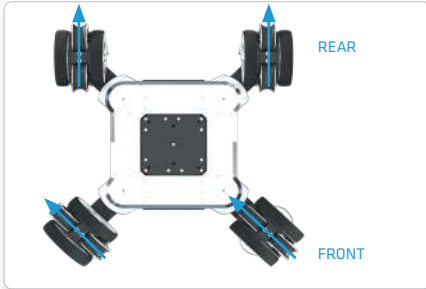


Now you can operate in CRAB mode.

STEERING

STEERING MODES

CONVENTIONAL FRONT



With CONVENTIONAL FRONT steering, the two front wheels are parallel to each other. The two rear wheels are fixed.

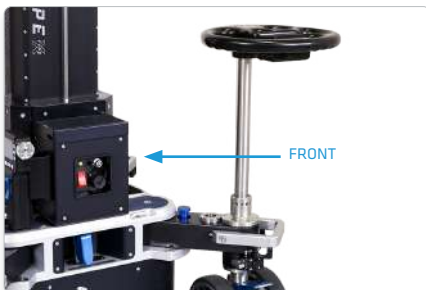
Attachment & Use



Selection lever on CRAB.



Both front wheels must be on Chain. The rear wheels must be set to Fix.



Insert the steering rod on one of the two wheel arms at the front.

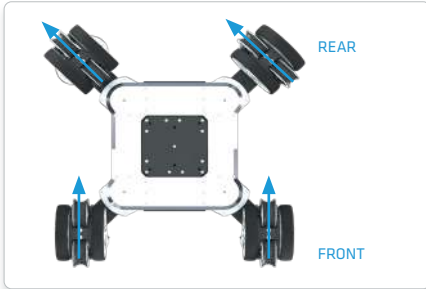


Now you can operate in CONVENTIONAL FRONT mode.

STEERING

STEERING MODES

CONVENTIONAL REAR



With CONVENTIONAL REAR steering, the two rear wheels are parallel to each other. The two front wheels are fixed.

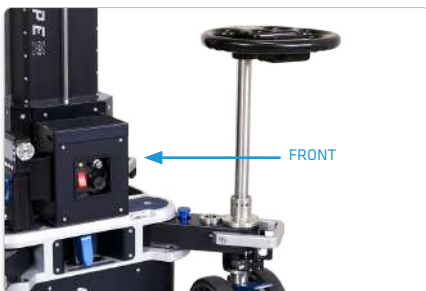
Attachment & Use



Selection lever on CRAB.



Both rear wheels must be on Chain. The front wheels must be set to Fix.



Insert the steering rod on one of the two wheel arms at the front.



Now you can operate in CONVENTIONAL REAR mode.

STEERING

STEERING RODS

Standard Steering Rod



The steering rod (143552) which is at a grip height of 74cm above the ground not only impresses with its ergonomically designed handlebar, but also with the fact that the Bluetooth Handset can be seamlessly integrated.

Steering Extension



Our Steering Extension (314428) allows you to adjust the steering rod to your individual height. This can be variably adjusted from 80 cm above the ground up to 110 cm.

Small Steering Rod



The Small Steering Rod (129832) is particularly suitable for tight spaces and impresses with good handling and lightness.

STEERING

STEER OUT EXTENSION

Central Steering



With our Steer Out Extension (177013), you can mount the Steering Rod in a central position. The central steering avoids the twisting of the Dolly. It is attached and detached within seconds. You can use it in narrow and standard gauge.

Attachment & Use



Slip the Steer Out Extension over two steering sleeves.



Tighten the screw shown.



Tighten the clamping lever.



Also tighten the centre clamping lever.



It can be used in the standard gauge
62 cm / 24,5"



...as well as in the narrow gauge
36 cm / 14"



STEERING

PUSH BAR

Central Steering

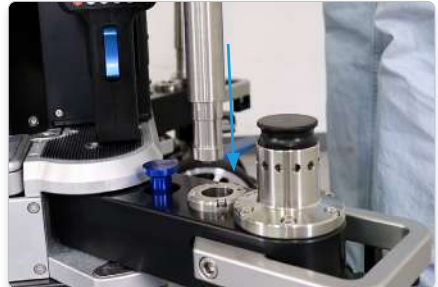


In order to push and pull our Dolly both centrally and more comfortably, we offer a Push Bar (301342) that moves the X-Type both on normal surfaces and on tracks.

Attachment & Use



Loosen the locking screws for the holes on the wheel arms.



Insert the push bar into the holes.



The inclination of the push bar can be customised. Release both clamping levers and lock them in the desired position.



Pull the connecting rod out of the parking position.

STEERING PUSH BAR



The connecting rod can be attached in the centre. To do this, attach it to one side and turn it apart.



The connecting rod can also be attached to the side (on both sides) to make it easier to push the Dolly on tracks.

Our Grip Pouch (313387) is ideal for neatly storing the tools you need and can be easily attached to the Push Bar.



STEERING PUSH BAR

Push Bar Extension



For more comfortable handling of the Push Bar, we offer the Push Bar Extension (311049) so that the Dolly can be pushed at a higher point.

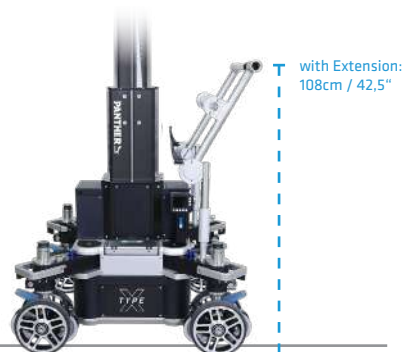
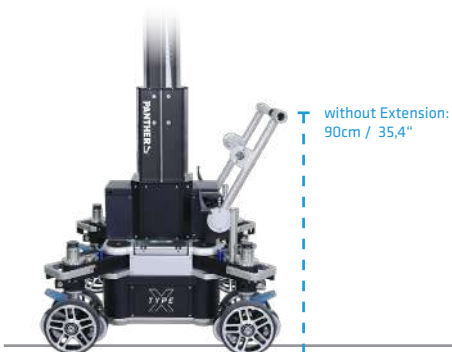
Attachment & Use



Insert the push bar extensions into the holes in the wheel arms.



Now slide the push bar into the extension and tighten the screw shown.



ACCESSORIES

COUNTER WEIGHT ARM

Balance the Dolly



We offer the Counter Balance Rod (310836) to ensure that the Dolly does not lose its balance under high weight loads. This can be attached to the Dolly's wheel arms and fitted with weights.

Attachment & Use



Place the Counter Balance Rod over the steering sleeve. Tighten the clamping lever.



The rod can be removed by unscrewing the socket.



Weights can be attached to the rod.

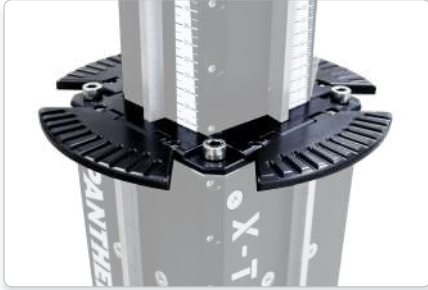


The rod can also be mounted upright.

ACCESSORIES

Foldable Column Platforms

Small footrest



Our foldable column platforms (314402): Small footrests with folding mechanism so that no feet can be pinched.

Attachment & Use



Unscrew the protective cover of the column (8x M5).



Attach the Foldable Column Platforms (4x) instead. Use the previously screws for this.



The platforms serve as footrests.

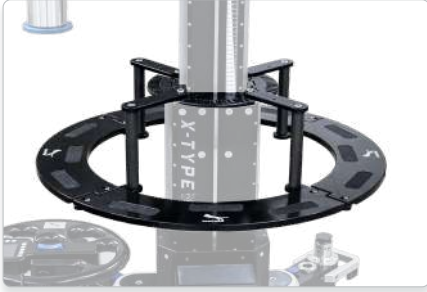


Thanks to the folding mechanism, the foot cannot be pinched when the column moves downwards.

ACCESSORIES

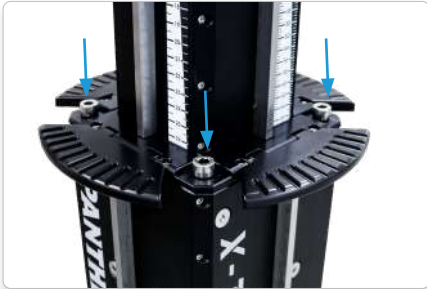
Ring Platform

Big Footrest



Our Ring Platform (314408):
Only in combination with our foldable column platforms. Large all-round platform for safe footing and easy manoeuvring around the Dolly column.

Attachment & Use



First, the Foldable Dolly Platforms must be attached. Unscrew four screws (M10).



Place the Ring Platform over the Dolly and fix it using the previously removed screws.



The Ring Platform is now ready for use.



The height of the ring platform can be adjusted. To do this, unscrew four screws (M6) on the bottom.

ACCESSORIES

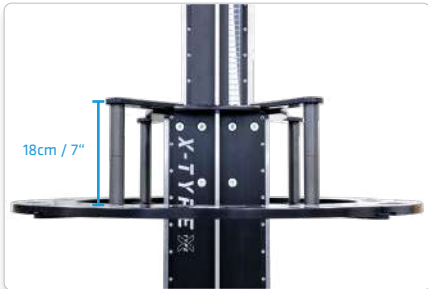
Ring Platform



Now turn the spacer sleeves apart (4x).



Reattach the Ring.



Ring platform for long legs:



Ring platform for short legs:



ACCESSORIES

Column Dolly Platforms

Versatile Platforms



The versatile platforms can be assembled in unprecedented ways. They can be mounted on the steering sleeves to create a flat surface, completely without trip hazards. Machined from solid, each component offers fast and non play connection. Our platforms fit for all Panther column Dollies and Magnum Dolly. A case for transport is available.

All Platforms at a glance



Platform
313572



Ground Platform
313573



Ground Plat. Ext.
313575



Platform short
313591



Running Board Platform
313859



Platform Bracket
313576



Tube Adapter
313574



Tube
313579



Skateboard Wheel
204794



Platform Case
313793

ACCESSORIES

HIGH LOW TURNSTILE

Patented High Low Turnstile



The Dolly column has a 360° rotatable High-Low-Turnstile for multiple use and can be detached from the base Dolly for easy transport.

Attachment & Use



Open the lever and turn the side extension arm outwards.



Mount the desired attachment (Mitchell, Bowl, etc.)



Open marked screw with Panther Allen Key.



Carefully turn the pipe with the side extension arm in the desired direction.

ACCESSORIES

HIGH LOW TURNSTILE



While turning, pull the marked lever and turn the front section in the opposite direction (camera thus always remains in an upright position).



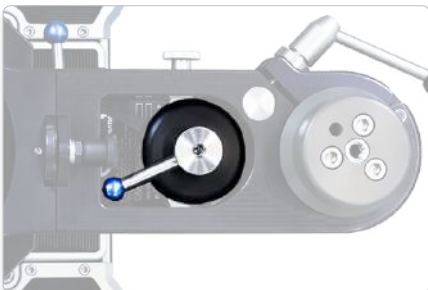
The front application can be rotated by 180° or fixed at a 45° or 90° angle.



Push the pipe back into the grid.



Then tighten again using the Panther Allen Key.



A bowl clamp is integrated, which is particularly impressive due to its low height.



Use the Bowl Clamp to fix the fluid head to the Bowl.

ACCESSORIES

RANGE EXTENDER

Higher and faster camera movements



The patented Range Extender (311637) doubles the lift range and speed without increasing the footprint of the Dolly. In this way, even lower and even higher positions can be reached. A 100% linear camera movement delights the focus puller.

Attachment & Use



Remove the Pipe of the High Low Turnstile. Move the Dolly column all the way down.



Insert Range Extender into hole of the previously detached pipe.



Remove the protective cap from the ball bearing and attach ball locking pin with rope to the dolly's lifting drive.



Tighten the ball locking pin. Do **not** use a wrench!

ACCESSORIES

RANGE EXTENDER



Now push the Range Extender completely in the specified direction.



Remove the safety screw and return it to the parking position.



Open the lid with the Panther Allen Key.



Tighten the marked screw to fix the Range Extender onto the Dolly.

optional
footrest



Unscrew the rubber support on the underside of the range extender.



Now attach the footrest using the previously removed rubber supports and the longer screws supplied.

ACCESSORIES

RANGE EXTENDER



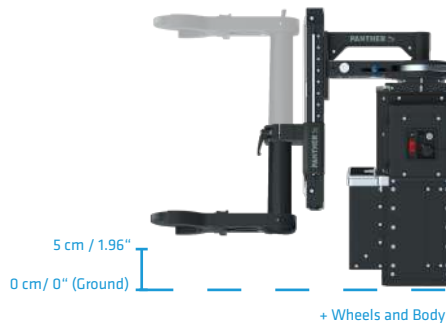
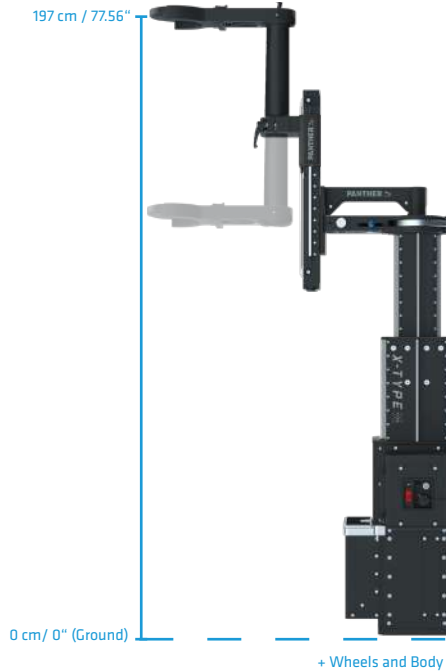
Our footrest (314246) allows the cameraman to rest his feet on the Range Extender.



The footrest can be folded away when it is not needed.



There are various threads on the top of the Range Extender for attaching accessories.



ACCESSORIES

CENTER MOUNT

Mount Jib Arms on the Dolly!



With the Center Mount (302359), the Dolly serves as a base for jib arms or cranes up to a weight of 800 kg.

The Center Mount can be mounted with the column installed, or without.

Attachment & Use



Loosen the locking screws for the holes on the wheel arms. Insert Center Mount.



Fix the centre mount to all four wheel arms and tighten the screw shown (4x).



Tighten the four screws on the top.



Turning the nuts straightens the centre mount. There is a water level on the top for checking

ACCESSORIES

CENTER MOUNT EXTENSION

For higher jib attachment



If you want the jib to be higher, you can use our Center Mount Extension (310767).

Attachment & Use



The centre mount extension is placed on the already levelled centre mount.



Fold up and tighten all four fixing screws.



ACCESSORIES

BASE PLATE

Use the X-Type as a Base Dolly



Thanks to the removable column, the X-Type is not only easier to transport, but can also be used as a Base Dolly using our Baseplate (313595).

Attachment & Use



Place the Baseplate on the Dolly body.



Tighten four marked screws with Panther Allen Key.



The X-Type can now be used as a Base Dolly.



A standard drilling pattern is integrated on the base plate, on which a turnstile can be placed.

ACCESSORIES

ADAPTER DISC

Absolute Rotation



The High Low Turnstile enables 360° rotation around the centre of the Dolly. With our Adapter Disc (312135), we enable the Euro Adapter in the centre of the Dolly to turn with the High Low Turnstile.

Attachment & Use



Screw the Adapter Disc to the drilling pattern on the High Low Turnstile.



Tighten with Panther Allen Key.



Screw the Euro Adapter onto the Adapter Disc.



Euro Adapter now rotates with High Low Turnstile .

ACCESSORIES

FLEX ARM

Maximum Flexibility



Our Flex Arm (310482) gives you the option of attaching an additional bracket to the X-Type. The arm can be screwed onto a 3/8 inch thread and shortened or extended as required.

Attachment & Use



Screw the flex arm onto a 3/8 inch thread and attach the 3/8 inch adapter (310487).



Attach the handset adapter (311567).



Attach the Bluetooth Handset to the handset adapter.



Here, the Bluetooth Handset has been attached to the Range Extender. This can be attached to any other 3/8 inch thread.

TRANSPORT

CARRYING THE DOLLY

Carrying Handle



To make it easy to carry the Dolly base, we offer our carrying handles (300430).



Carrying Grip



The Carrying Grips (302783) have an offset that can be used either upwards or downwards to carry the column at the correct working height.



Carrying Grip Straight



The Carrying Grips Straight (311745) can as well be used to transport the Dolly column.



FURTHER ASSISTANCE

If you need any further assistance with this instructions (or also other questions) please contact our service department.



SERVICE PHONE:
(+49) 8095 71230 - 05



SERVICE MAIL:
eric.suchetet@panther.tv

ADDRESS

Am Bahnhof 19
85653 Aying - Munich
Germany

PHONE / FAX

Phone:
(+49) 8095 71230 - 00

Fax:
(+49) 8095 71230 - 99

ONLINE

contact@panther.tv

www.panther.tv

PANTHER 