

PRODUCT INFO



Mitchell-Matrix Adapter

06 / 2026

PANTHER®

Part number: 315002
Designation: Mitchell-Matrix Adapter
Weight: 3,5 kg

Product Features:

Our MitchellMatrix Adapter enables you to adjust the camera's position from top to bottom (180°) in 45° increments without removing the camera. With the connection to our Mitchell Plate, you can turn the entire setup through 360°.

Upgrade your Mitchell-Matrix Adapter with our Mitchell Plate, or Mitchell Levelling Plate.



MITCHELL PLATE

136909

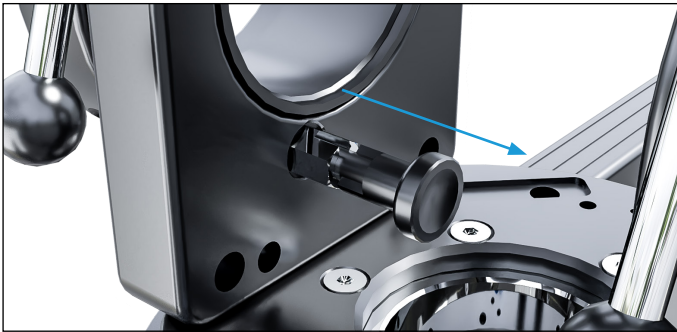


MITCHELL LEVELLING PLATE

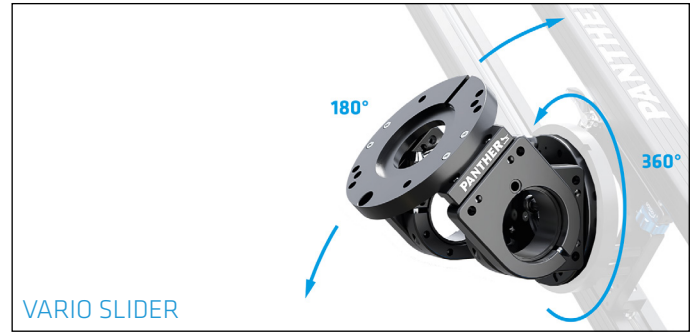
177841



Usage:

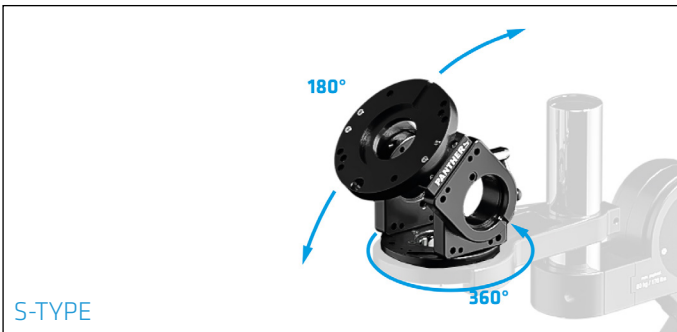


The Mitchell-Matrix Adapter can be tilted in 45° increments up to 180°. To do this, pull the pin and let it snap into place at the desired position.

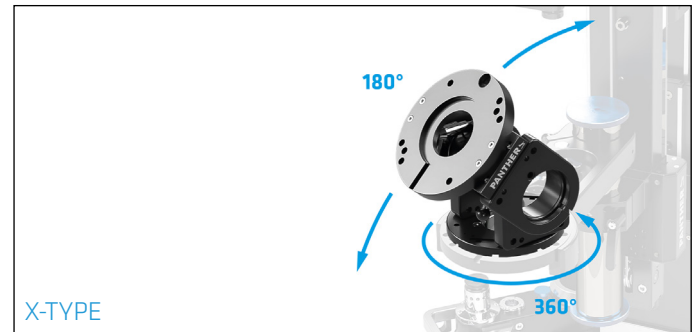


VARIO SLIDER

Our Mitchell-Matrix Adapter can be mounted on any Mitchell female mount. Adjust it exactly to your needs!



S-TYPE



X-TYPE

