

PRODUCT INFO



03 / 2026

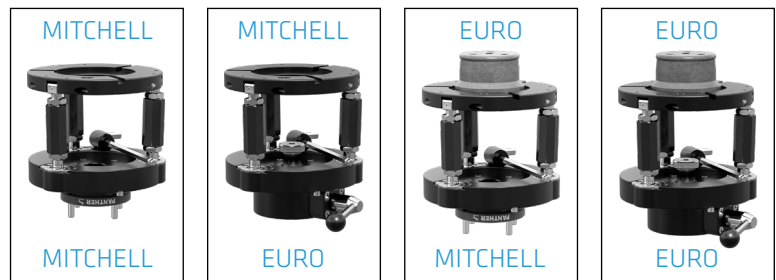
PANTHER[®]

3-Way Leveller Heavy Duty & Case

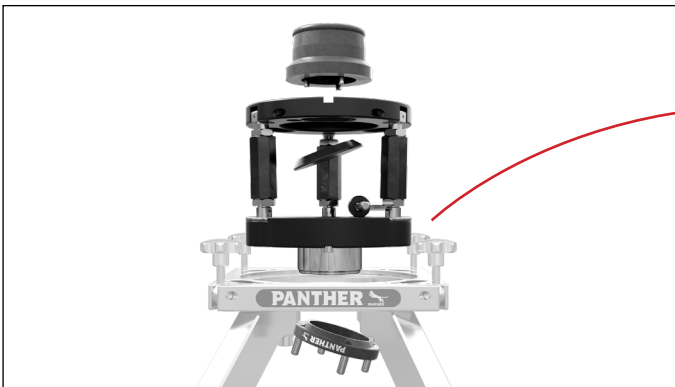
Part number:	314765
Designation:	3-Way Leveller Heavy Duty
Part number:	314860
Designation:	Case for 3-Way Leveller

Product Features:

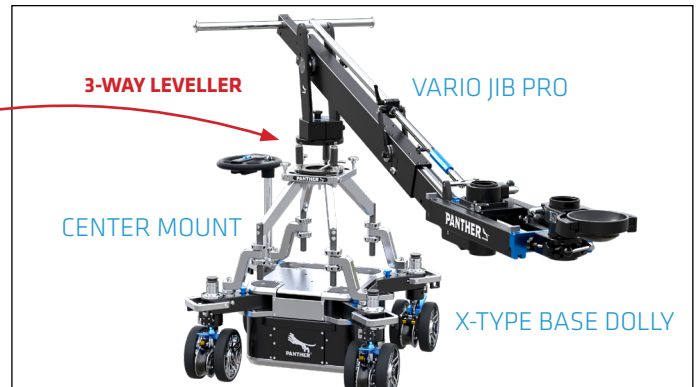
Our 3-way heavy-duty leveler is the perfect adapter for setting up jibs and cranes evenly, even when the ground isn't completely level. The built-in spirit level immediately indicates whether the structure is level. Thanks to the cleverly integrated parking position for the hex key, it is always kept securely in place. Thanks to the included adapters, our 3-way leveler can be used with various camera mounts, whether Mitchell or Euro mount.



Usage:



The 3-Way Leveller pairs perfectly with our center mount. Thanks to its compact design, the adapter can be seamlessly attached to a Mitchell mount.



Thanks to its high load capacity of over 200 kg, the 3-Way Leveller Heavy duty is ideal for cranes and jibs. Whether the setup is on a static surface or, as shown here, on a flexible base using our X-Type.



Thanks to its three joints, the 3-way leveller can be adjusted to different angles. This allows even the slightest unevenness to be corrected.



Our separately available Case for the 3-Way Heavy Duty Leveller (314860) allows for neat storage of the set and safe transport.

