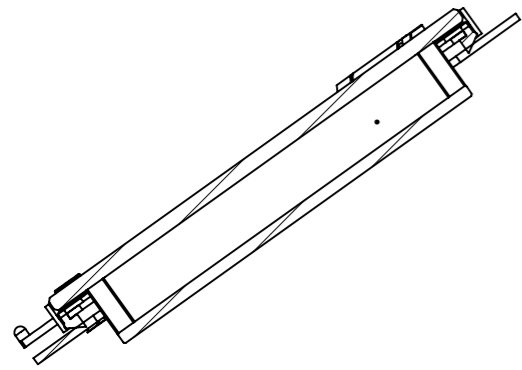
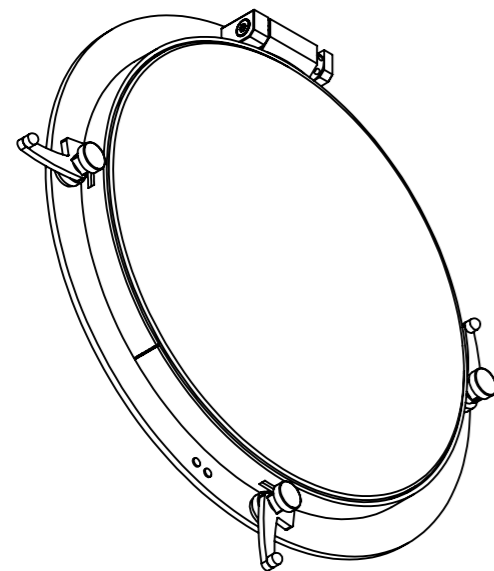
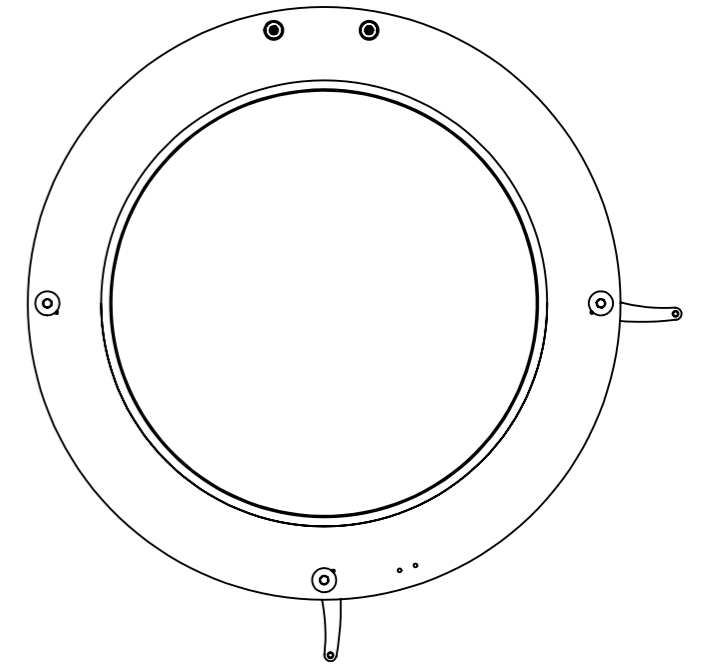
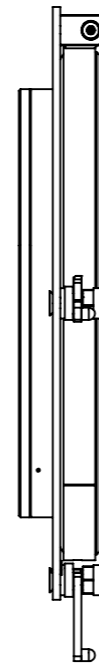
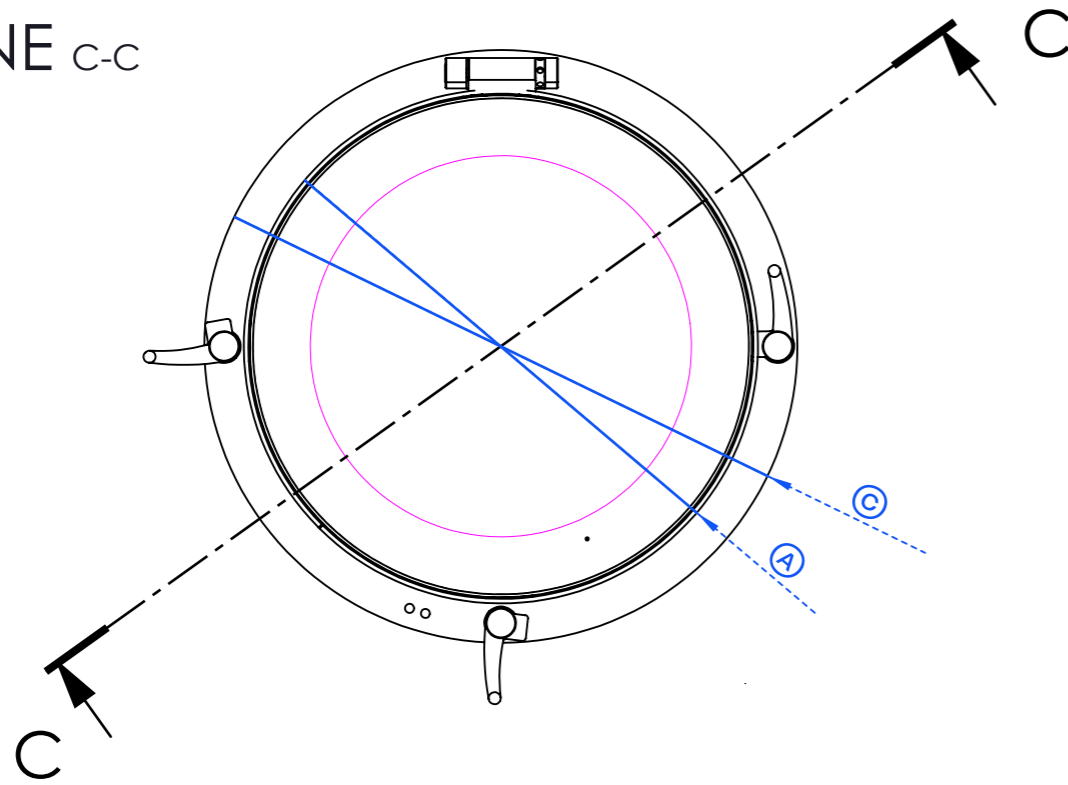


ECLYPSE

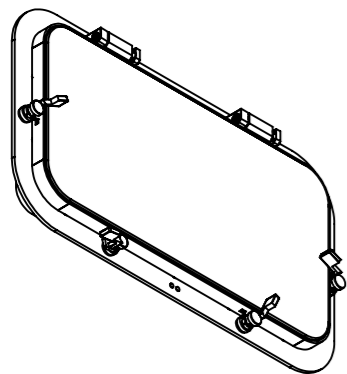
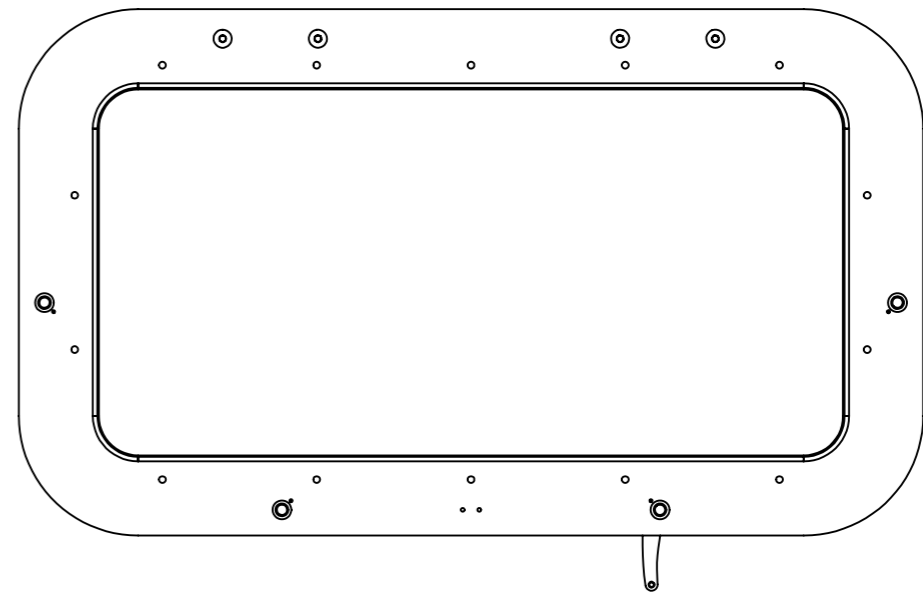
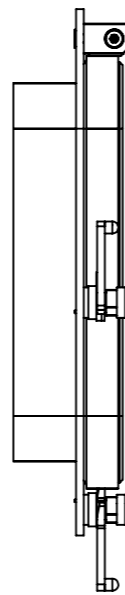
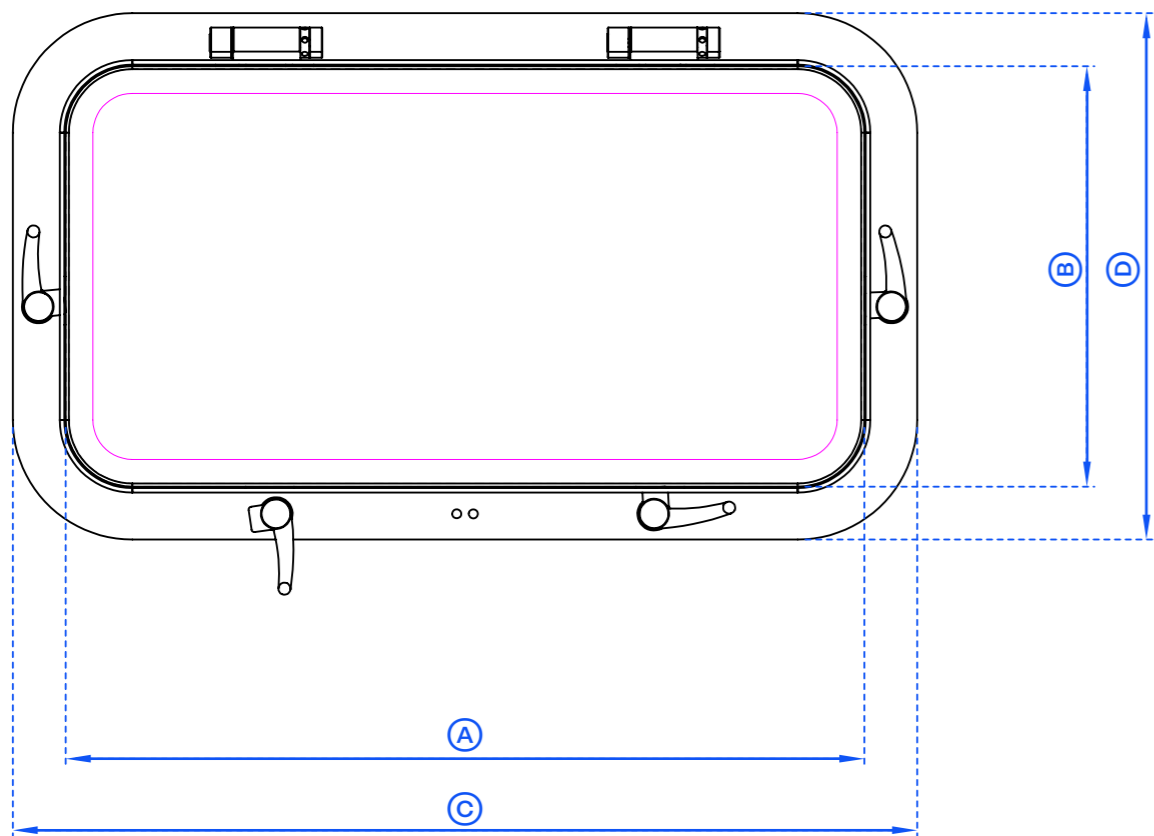




SEZIONE C-C



		Tolerances according to: - UNI EN 22768-1 - UNI EN ISO 22081		Drawing Code:	Rev.	Scale:	Units:	
				AMEY012	0	1:5	mm	
Description: Porthole Eclipse D.300				Material:		Peso (Kg): 7.39		
Dimensioni:	≤30	>30÷120	>120÷400	>400	Page: 1 di 2		A3	
Tolleranze:	±0,1	±0,15	±0,25	±0,4	Note: -		Drawn by: Gabriele Luccia	
Parallelismo/Perpendicolarità: ±0,2%		Angoli: ±30'		Date: 10/03/2025		Approved by: -		
Se non specificato: Raggi: 0,5mm Smussi: 0,5X45°				Date: -		Date: -		
The copyright of this drawing is reserved by Amare Group srl.								



		Tolerances according to: - UNI EN 22768-1 - UNI EN ISO 22081		Drawing Code:	Rev.	Scale:	Units:	
				AMNY047	0	1:5	mm	
Description: Porthole Eclipse VTR				Material:		Peso (Kg): 10.74		
Dimensioni:	≤30	>30÷120	>120÷400	>400	Page: 3 di 3		A3	
Tolleranze:	±0,1	±0,15	±0,25	±0,4	Note: -		Drawn by: Gabriele Luccia	
Parallelismo/Perpendicolarità:	±0,2%		Angoli:	±30'	Date: 31/01/2025		Approved by: -	
Se non specificato: Raggi: 0,5mm Smussi: 0,5X45°				Date: 31/01/2025		Date: -		
The copyright of this drawing is reserved by Amare Group srl.								

ECLYPSE PORTHOLES

for installation
on glass

Technical Information

(COD)	(TYPE)	(A)	(B)	(C)	(D)	(UNITS)	(ASW READY)	(MOSQUITO NET)	(SHUTTER STORM)
AMEY009	Round porthole Stainless Steel AISI316L CE	136		185		mm	opt	opt	-
AMEY009_P	Round porthole Stainless Steel AISI316L Pleasure	136		185		mm	opt	opt	-
AMEY009_MCA	Round porthole Stainless Steel AISI316L MCA	136		185		mm	opt	opt	standard
AMEY011	Round porthole Stainless Steel AISI316L CE	181		235		mm	opt	opt	-
AMEY011_P	Round porthole Stainless Steel AISI316L Pleasure	181		235		mm	opt	opt	-
AMEY011_MCA	Round porthole Stainless Steel AISI316L MCA	181		235		mm	opt	opt	standard
AMEY013	Round porthole Stainless Steel AISI316L CE	234		293		mm	opt	opt	-
AMEY013_P	Round porthole Stainless Steel AISI316L Pleasure	234		293		mm	opt	opt	-
AMEY013_MCA	Round porthole Stainless Steel AISI316L MCA	234		293		mm	opt	opt	standard
AMEY010	Round porthole Stainless Steel AISI316L CE	288		344		mm	opt	opt	-
AMEY010_P	Round porthole Stainless Steel AISI316L Pleasure	288		344		mm	opt	opt	-
AMEY010_MCA	Round porthole Stainless Steel AISI316L MCA	288		344		mm	opt	opt	standard
AMEY012	Round porthole Stainless Steel AISI316L CE	332		392		mm	opt	opt	-
AMEY012_P	Round porthole Stainless Steel AISI316L Pleasure	332		392		mm	opt	opt	-
AMEY012_MCA	Round porthole Stainless Steel AISI316L MCA	332		392		mm	opt	opt	standard
AMEY014	Round porthole Stainless Steel AISI316L CE	442		506		mm	opt	opt	-
AMEY014_P	Round porthole Stainless Steel AISI316L Pleasure	442		506		mm	opt	opt	-
AMEY014_MCA	Round porthole Stainless Steel AISI316L MCA	442		506		mm	opt	opt	standard
AMEY025	Oval porthole Stainless Steel AISI316L CE	450	200	508	258	mm	opt	opt	-
AMEY025_P	Oval porthole Stainless Steel AISI316L Pleasure	450	200	508	258	mm	opt	opt	-
AMEY025_MCA	Oval porthole Stainless Steel AISI316L MCA	450	200	508	258	mm	opt	opt	standard
AMEY041	Rectangular porthole Stainless Steel AISI316L CE	554	396	622	404	mm	opt	opt	-
AMEY041_P	Rectangular porthole Stainless Steel AISI316L Pleasure	554	396	622	404	mm	opt	opt	-
AMEY041_MCA	Rectangular porthole Stainless Steel AISI316L MCA	554	396	622	404	mm	opt	opt	standard
AMEY042	Square porthole Stainless Steel AISI316L CE	272	214	322	222	mm	opt	opt	-
AMEY042_P	Square porthole Stainless Steel AISI316L Pleasure	272	214	322	222	mm	opt	opt	-
AMEY042_MCA	Square porthole Stainless Steel AISI316L MCA	272	214	322	222	mm	opt	opt	standard

ECLYPSE PORTHOLES

for installation
on glass

Technical Information

<u>COD</u>	<u>TYPE</u>	<u>A</u>	<u>B</u>	<u>C</u>	<u>D</u>	<u>UNITS</u>	<u>ASW READY</u>	<u>MOSQUITO NET</u>	<u>SHUTTER STORM</u>
AMEY043	Rectangular porthole Stainless Steel AISI316L CE	410	190	470	250	mm	opt	opt	-
AMEY043_P	Rectangular porthole Stainless Steel AISI316L Pleasure	410	190	470	250	mm	opt	opt	-
AMEY043_MCA	Rectangular porthole Stainless Steel AISI316L MCA	410	190	470	250	mm	opt	opt	standard
AMEY046	Rectangular porthole Stainless Steel AISI316L CE	412	190	470	277	mm	opt	opt	-
AMEY046_P	Rectangular porthole Stainless Steel AISI316L Pleasure	412	190	470	277	mm	opt	opt	-
AMEY046_MCA	Rectangular porthole Stainless Steel AISI316L MCA	412	190	470	277	mm	opt	opt	standard
AMEY047	Rectangular porthole Stainless Steel AISI316L CE	532	282	598	348	mm	opt	opt	-
AMEY047_P	Rectangular porthole Stainless Steel AISI316L Pleasure	532	282	598	348	mm	opt	opt	-
AMEY047_MCA	Rectangular porthole Stainless Steel AISI316L MCA	532	282	598	348	mm	opt	opt	standard
AMEY051	Oval porthole Stainless Steel AISI316L CE	538	288	600	350	mm	opt	opt	-
AMEY051_P	Oval porthole Stainless Steel AISI316L Pleasure	538	288	600	350	mm	opt	opt	-
AMEY051_MCA	Oval porthole Stainless Steel AISI316L MCA	538	288	600	350	mm	opt	opt	standard
AMEY055	Rectangular porthole Stainless Steel AISI316L CE	850	650	900	730	mm	opt	opt	-
AMEY055_P	Rectangular porthole Stainless Steel AISI316L Pleasure	850	650	900	730	mm	opt	opt	-
AMEY055_MCA	Rectangular porthole Stainless Steel AISI316L MCA	850	650	900	730	mm	opt	opt	standard
AMEY056	Rectangular porthole Stainless Steel AISI316L CE	562	862	920	620	mm	opt	opt	-
AMEY056_P	Rectangular porthole Stainless Steel AISI316L Pleasure	562	862	920	620	mm	opt	opt	-
AMEY056_MCA	Rectangular porthole Stainless Steel AISI316L MCA	562	862	920	620	mm	opt	opt	standard
AMEY061	Rectangular porthole Stainless Steel AISI316L CE	390	125	450	185	mm	opt	opt	-
AMEY061_P	Rectangular porthole Stainless Steel AISI316L Pleasure	390	125	450	185	mm	opt	opt	-
AMEY061_MCA	Rectangular porthole Stainless Steel AISI316L MCA	390	125	450	185	mm	opt	opt	standard

ECLYPSE PORTHOLES

for installation
on fibreglass

Technical Information

(COD)	(TYPE)	(A)	(B)	(C)	(D)	(UNITS)	(ASW READY)	(MOSQUITO NET)	(SHUTTER STORM)
AMNY010	Round porthole Stainless Steel AISI316L CE	288		344		mm	opt	opt	-
AMNY010_P	Round porthole Stainless Steel AISI316L Pleasure	288		344		mm	opt	opt	-
AMNY010_MCA	Round porthole Stainless Steel AISI316L MCA	288		344		mm	opt	opt	standard
AMNY011	Round porthole Stainless Steel AISI316L CE	181		235		mm	opt	opt	-
AMNY011_P	Round porthole Stainless Steel AISI316L Pleasure	181		235		mm	opt	opt	-
AMNY011_MCA	Round porthole Stainless Steel AISI316L MCA	181		235		mm	opt	opt	standard
AMNY012	Round porthole Stainless Steel AISI316L CE	332		385		mm	opt	opt	-
AMNY012_P	Round porthole Stainless Steel AISI316L Pleasure	332		385		mm	opt	opt	-
AMNY012_MCA	Round porthole Stainless Steel AISI316L MCA	332		385		mm	opt	opt	standard
AMNY013	Round porthole Stainless Steel AISI316L CE	234		287		mm	opt	opt	-
AMNY013_P	Round porthole Stainless Steel AISI316L Pleasure	234		287		mm	opt	opt	-
AMNY013_MCA	Round porthole Stainless Steel AISI316L MCA	234		287		mm	opt	opt	standard
AMNY015	Round porthole Stainless Steel AISI316L CE	347		409		mm	opt	opt	-
AMNY015_P	Round porthole Stainless Steel AISI316L Pleasure	347		409		mm	opt	opt	-
AMNY015_MCA	Round porthole Stainless Steel AISI316L MCA	347		409		mm	opt	opt	standard
AMNY021	Oval porthole Stainless Steel AISI316L CE	423	180	483	240	mm	opt	opt	-
AMNY021_P	Oval porthole Stainless Steel AISI316L Pleasure	423	180	483	240	mm	opt	opt	-
AMNY021_MCA	Oval porthole Stainless Steel AISI316L MCA	423	180	483	240	mm	opt	opt	standard
AMNY023	Oval porthole Stainless Steel AISI316L CE	566	266	636	336	mm	opt	opt	-
AMNY023_P	Oval porthole Stainless Steel AISI316L Pleasure	566	266	636	336	mm	opt	opt	-
AMNY023_MCA	Oval porthole Stainless Steel AISI316L MCA	566	266	636	336	mm	opt	opt	standard
AMNY024	Oval porthole Stainless Steel AISI316L CE	640	340	720	410	mm	opt	opt	-
AMNY024_P	Oval porthole Stainless Steel AISI316L Pleasure	640	340	720	410	mm	opt	opt	-
AMNY024_MCA	Oval porthole Stainless Steel AISI316L MCA	640	340	720	410	mm	opt	opt	standard
AMNY025	Oval porthole Stainless Steel AISI316L CE	450	198	518	268	mm	opt	opt	-
AMNY025_P	Oval porthole Stainless Steel AISI316L Pleasure	450	198	518	268	mm	opt	opt	-
AMNY025_MCA	Oval porthole Stainless Steel AISI316L MCA	450	198	518	268	mm	opt	opt	standard

ECLYPSE PORTHOLES

for installation
on fibreglass

Technical Information

<u>COD</u>	<u>TYPE</u>	<u>A</u>	<u>B</u>	<u>C</u>	<u>D</u>	<u>UNITS</u>	<u>ASW READY</u>	<u>MOSQUITO NET</u>	<u>SHUTTER STORM</u>
AMNY026	Oval porthole Stainless Steel AISI316L CE	249	149	300	200	mm	opt	opt	-
AMNY026_P	Oval porthole Stainless Steel AISI316L Pleasure	249	149	300	200	mm	opt	opt	-
AMNY026_MCA	Oval porthole Stainless Steel AISI316L MCA	249	149	300	200	mm	opt	opt	standard
AMNY045	Rectangular porthole Stainless Steel AISI316L CE	662	362	710	410	mm	opt	opt	-
AMNY045_P	Rectangular porthole Stainless Steel AISI316L Pleasure	662	362	710	410	mm	opt	opt	-
AMNY045_MCA	Rectangular porthole Stainless Steel AISI316L MCA	662	362	710	410	mm	opt	opt	standard
AMNY046	Rectangular porthole Stainless Steel AISI316L CE	449	219	470	240	mm	opt	opt	-
AMNY046_P	Rectangular porthole Stainless Steel AISI316L Pleasure	449	219	470	240	mm	opt	opt	-
AMNY046_MCA	Rectangular porthole Stainless Steel AISI316L MCA	449	219	470	240	mm	opt	opt	standard
AMNY047	Rectangular porthole Stainless Steel AISI316L CE	528	278	598	348	mm	opt	opt	-
AMNY047_P	Rectangular porthole Stainless Steel AISI316L Pleasure	528	278	598	348	mm	opt	opt	-
AMNY047_MCA	Rectangular porthole Stainless Steel AISI316L MCA	528	278	598	348	mm	opt	opt	standard
AMNY048	Rectangular porthole Stainless Steel AISI316L CE	804	604	870	670	mm	opt	opt	-
AMNY048_P	Rectangular porthole Stainless Steel AISI316L Pleasure	804	604	870	670	mm	opt	opt	-
AMNY048_MCA	Rectangular porthole Stainless Steel AISI316L MCA	804	604	870	670	mm	opt	opt	standard
AMNY049	Rectangular porthole Stainless Steel AISI316L CE	528	328	598	398	mm	opt	opt	-
AMNY049_P	Rectangular porthole Stainless Steel AISI316L Pleasure	528	328	598	398	mm	opt	opt	-
AMNY049_MCA	Rectangular porthole Stainless Steel AISI316L MCA	528	328	598	398	mm	opt	opt	standard
AMNY050A	Oval porthole Stainless Steel AISI316L CE	368	192	430	254	mm	opt	opt	-
AMNY050A_P	Oval porthole Stainless Steel AISI316L Pleasure	368	192	430	254	mm	opt	opt	-
AMNY050A_MCA	Oval porthole Stainless Steel AISI316L MCA	368	192	430	254	mm	opt	opt	standard
AMNY051	Oval porthole Stainless Steel AISI316L CE	546	296	600	350	mm	opt	opt	-
AMNY051_P	Oval porthole Stainless Steel AISI316L Pleasure	546	296	600	350	mm	opt	opt	-
AMNY051_MCA	Oval porthole Stainless Steel AISI316L MCA	546	296	600	350	mm	opt	opt	standard
AMNY053	Oval porthole Stainless Steel AISI316L CE	620	248	674	302	mm	opt	opt	-
AMNY053_P	Oval porthole Stainless Steel AISI316L Pleasure	620	248	674	302	mm	opt	opt	-
AMNY053_MCA	Oval porthole Stainless Steel AISI316L MCA	620	248	674	302	mm	opt	opt	standard

ECLYPSE PORTHOLES



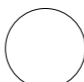

for installation
on fibreglass

Technical Information


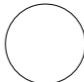
<u>COD</u>	<u>TYPE</u>	<u>A</u>	<u>B</u>	<u>C</u>	<u>D</u>	<u>UNITS</u>	<u>ASW READY</u>	<u>MOSQUITO NET</u>	<u>SHUTTER STORM</u>
AMNY063	Round porthole Stainless Steel AISI316L CE	442		506		mm	opt	opt	-
AMNY063_P	Round porthole Stainless Steel AISI316L Pleasure	442		506		mm	opt	opt	-
AMNY063_MCA	Round porthole Stainless Steel AISI316L MCA	442		506		mm	opt	opt	standard
AMNY064	Round porthole Stainless Steel AISI316L CE	234		293		mm	opt	opt	-
AMNY064_P	Round porthole Stainless Steel AISI316L Pleasure	234		293		mm	opt	opt	-
AMNY064_MCA	Round porthole Stainless Steel AISI316L MCA	234		293		mm	opt	opt	standard
AMNY065	Round porthole Stainless Steel AISI316L CE	234		293		mm	opt	opt	-
AMNY065_P	Round porthole Stainless Steel AISI316L Pleasure	234		293		mm	opt	opt	-
AMNY065_MCA	Round porthole Stainless Steel AISI316L MCA	234		293		mm	opt	opt	standard
AMNY067	Oval porthole Stainless Steel AISI316L CE	576	336	630	390	mm	opt	opt	-
AMNY067_P	Oval porthole Stainless Steel AISI316L Pleasure	576	336	630	390	mm	opt	opt	-
AMNY067_MCA	Oval porthole Stainless Steel AISI316L MCA	576	336	630	390	mm	opt	opt	standard
AMNY070	Rectangular porthole Stainless Steel AISI316L CE	436	236	504	304	mm	opt	opt	-
AMNY070_P	Rectangular porthole Stainless Steel AISI316L Pleasure	436	236	504	304	mm	opt	opt	-
AMNY070_MCA	Rectangular porthole Stainless Steel AISI316L MCA	436	236	504	304	mm	opt	opt	standard
AMNY066	Oval porthole Stainless Steel AISI316L CE	582	243	640	300	mm	opt	opt	-
AMNY066_P	Oval porthole Stainless Steel AISI316L Pleasure	582	243	640	300	mm	opt	opt	-
AMNY066_MCA	Oval porthole Stainless Steel AISI316L MCA	582	243	640	300	mm	opt	opt	standard







FRAME AND COVER FINISH

-  Mirror Polished AISI316L
Stainless Steel
-  Black
RAL 9005
-  White
RAL 9001
-  Custom RAL

INTERNAL IGU GLASS FINISH

-  Black
RAL 9005
-  White
RAL 9001

GLASS

-  Europe Grey
-  Clear
-  Extra Clear
-  Custom RAL