

The Legend APC Open Baghouse is ideal for removing particulates from industrial air streams.

Our Baghouse will maintain **optimum efficiency** no matter how tough the job is.



**LEGEND**

APC

# Open Baghouse Collectors

LOBH-5 / LOBH-10 / LOBH-15 Models

**Woodworking | Plastics | Dry Dusts**

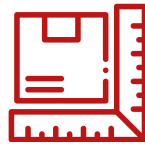
## Features



- Mechanical shaker for fast & easy bag cleaning
- Sized & designed for indoor use
  - See National Fire Protection Association guidelines and the local Authority Having Jurisdiction for details.



- Includes a push-button manual starter with either a 480 VAC/3 Phase or 240 VAC/3 Phase motor



- Comes with bag or barrel discharge options
- Small footprint

## Setup is as easy as 1-2-3!

1

Raise it up

2

Bolt it to the ground (optional)

3

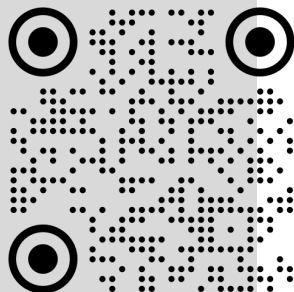
Plug it in

## Applications

- Ideal for woodworking, plastics, and other dry dusts
- Not recommended for sanding applications

## Filter Material

100% polyester, woven, Beane-style bag with texturized filament. Carbon fiber is knitted into the yarn to protect against static buildup.



1-year warranty for material defects and workmanship is provided from the date of manufacture for all fabricated items.

[us-duct.com](http://us-duct.com) | 336-530-1690 | [info@us-duct.com](mailto:info@us-duct.com)



**LEGEND**

APC

## Legend Baghouse Collector: A game-changer for your industrial application.

The Legend Baghouse Collector:

- Is **efficient** & can save you up to **15 days'** production time in time it takes to change bags/barrels
- Saves you money
- Easy to install



## Our Competitor's Open Baghouse Collectors

Our competition force your workers to constantly change one bag or barrel out due to uneven waste distribution, causing you to:

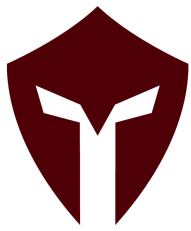
- Waste your workers' time & energy
- Waste your money



*This is obviously our baghouse, but with the waste bags intentionally filled to show how our competitors' inefficient baghouses work*

1-year warranty for material defects and workmanship is provided from the date of manufacture for all fabricated items.

[us-duct.com](http://us-duct.com) | 336-530-1690 | [info@us-duct.com](mailto:info@us-duct.com)



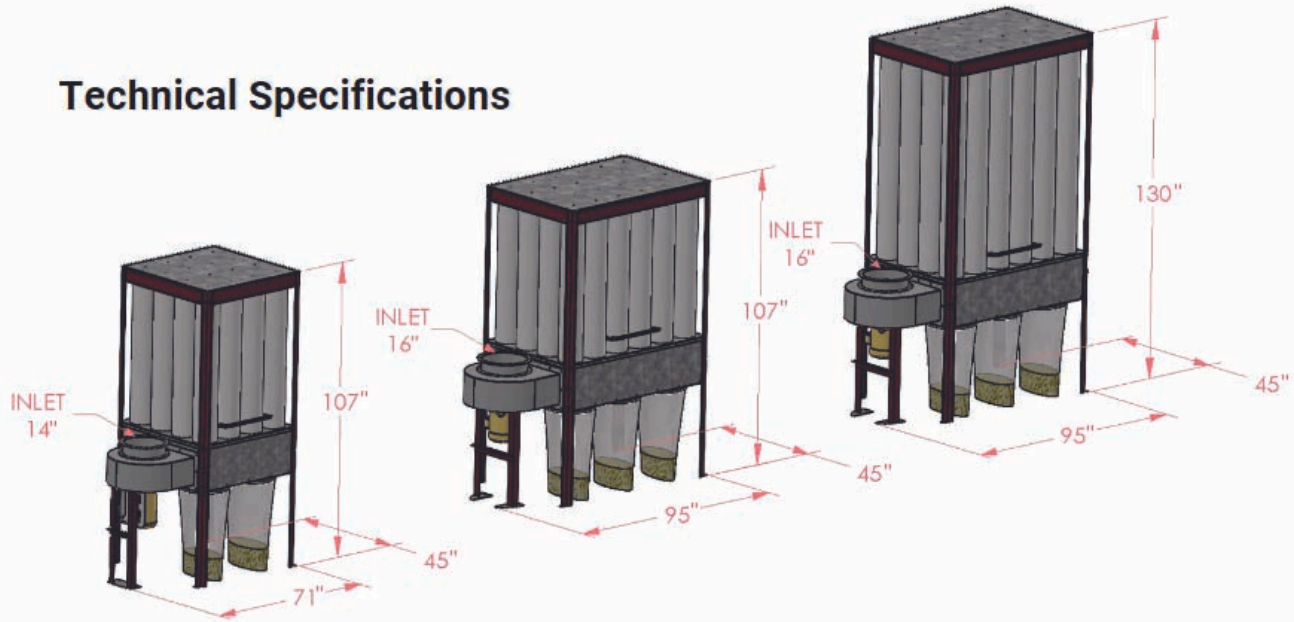
**LEGEND**

APC

# Open Baghouse Collectors

LOBH-5 / LOBH-10 / LOBH-15 Models

## Technical Specifications



SKU	Airflow Capacity	Pressure Drop	Motor Power	Filtration Area	Filter Bags	Discharge Ports	Shipping Weight	Footprint	Height
	CFM	WG"	HP	ft <sup>2</sup>	Count		lbs.	in.	in.
LOBH-5	2000	8.0	5	163	16	2 @ 18"	640	45x71	107
	3000	5.0							
LOBH-10	4000	7.8	10	245	24	3 @ 18"	740	45x95	107
	4500	6.0							
LOBH-15	4000	7.7	15	347	24	3 @ 18"	1400	45x95	130
	5000	7.0							

## Discharge Options



Bags



Barrels

1-year warranty for material defects and workmanship is provided from the date of manufacture for all fabricated items.

[us-duct.com](http://us-duct.com) | 336-530-1690 | [info@us-duct.com](mailto:info@us-duct.com)