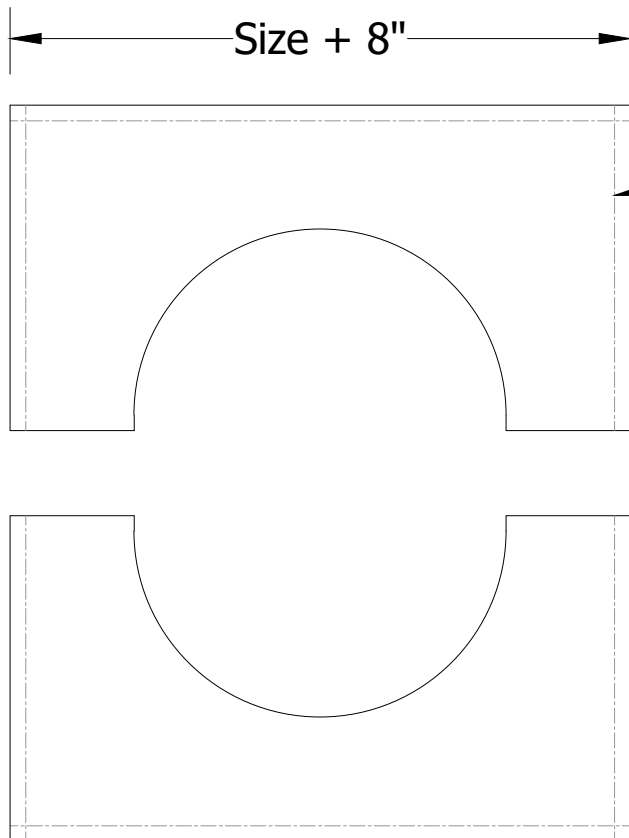
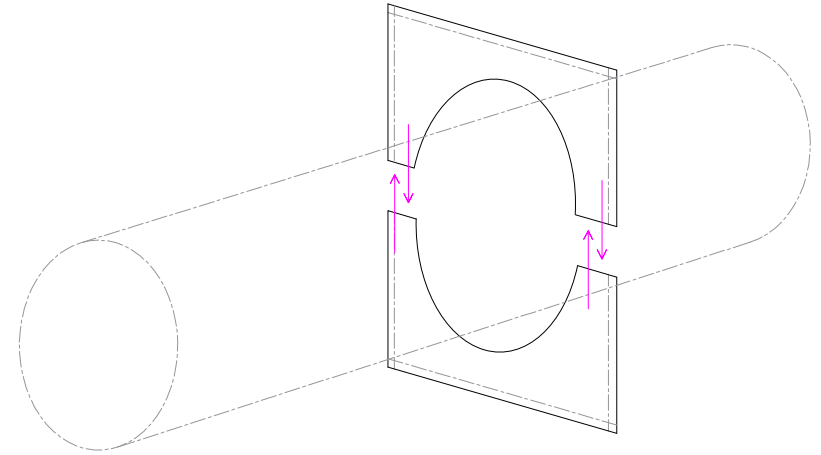




Wall Flashing

Flashings are made in two half moon pieces, and are secured around pipe and wall with screws.

Standard is Galvanized, and available in Stainless and Carbon Steel.



Outside edges have a light brake down at 1/2"

1" of overlap

Material Thickness
4-7" 20Ga.
8-39" 18Ga.
40-72" 16Ga.

Wall Flashing STD. PN. SWFxx.G
xx will be size needed

