

(SPECIFICATIONS MAY CHANGE WITHOUT NOTICE TO IMPROVE FUNCTION OR DESIGN)



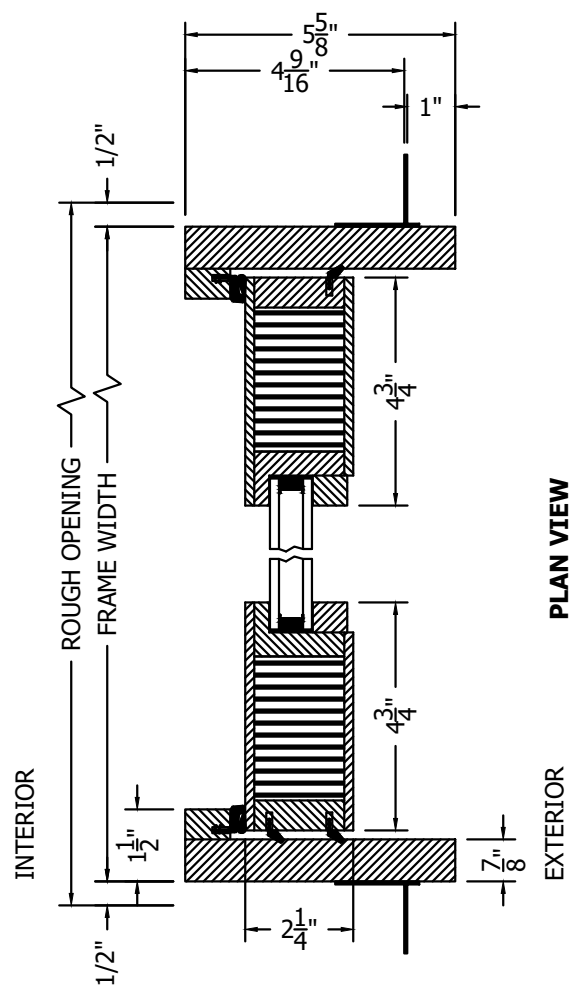
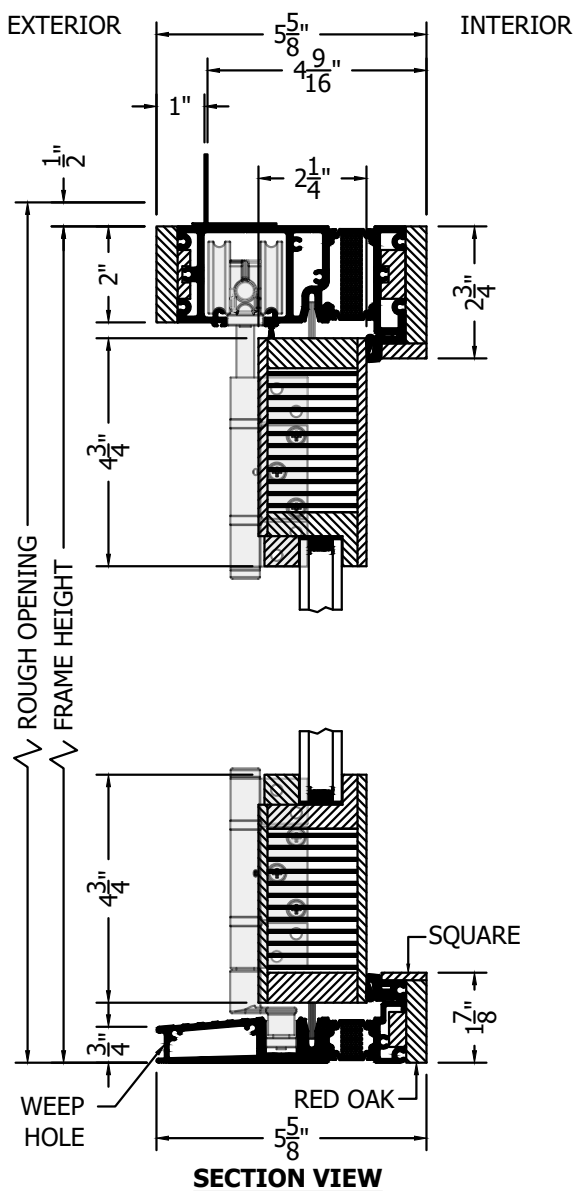
ENERGY PERFORMANCE

TRADITIONAL EQUAL ALL WOOD

OUT-SWING BI-FOLD

w/ALUMINUM SILL

SCALE: 3" = 1'-0"



A SILL PAN IS REQUIRED FOR EXTERIOR DOORS.

TO PRINT TO SCALE, SELECT "ACTUAL SIZE" OR DESELECT "FIT TO PAGE" IN PRINT DIALOGUE BOX

PROPRIETARY AND CONFIDENTIAL
 THIS DRAWING AND ITS CONTENTS ARE THE PROPERTY OF AG MILLWORKS. REPRODUCTION OF ANY PART OF THE DRAWING IN ANY FORM WHATSOEVER WITHOUT THE PRIOR WRITTEN PERMISSION OF AG MILLWORKS IS STRICTLY FORBIDDEN. © 2021 AG MILLWORKS