

(SPECIFICATIONS MAY CHANGE WITHOUT NOTICE TO IMPROVE FUNCTION OR DESIGN)






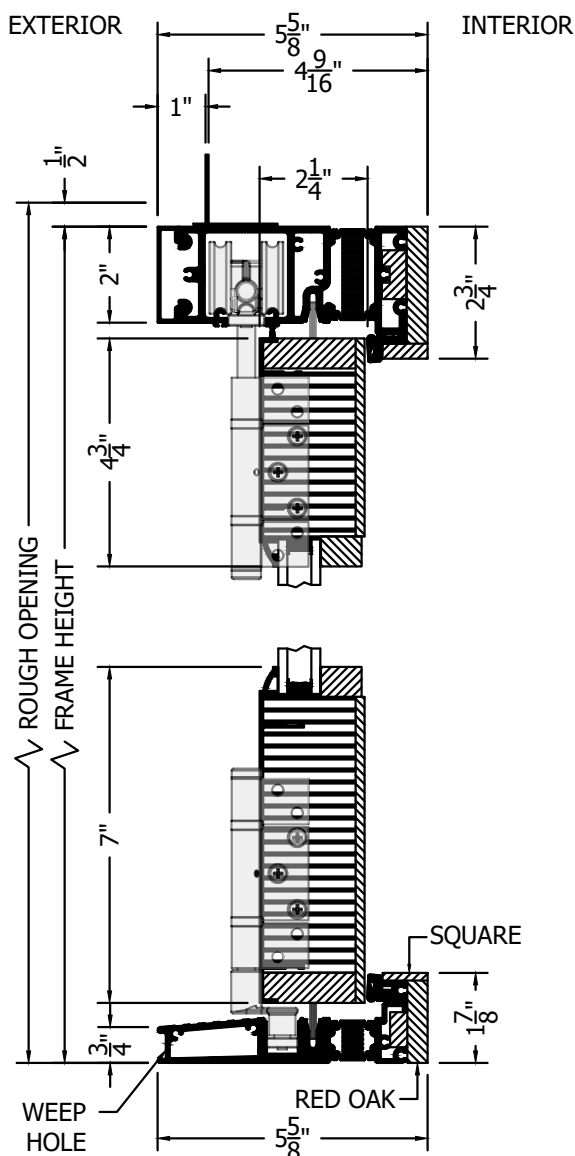
# ENERGY PERFORMANCE

## TRADITIONAL CLAD OUT-SWING BI-FOLD w/ALUMINIUM SILL

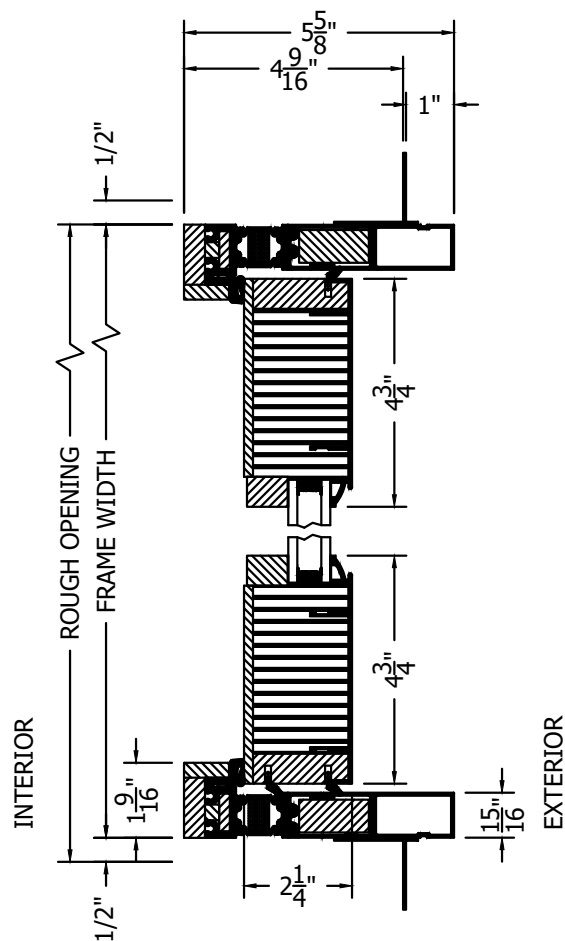
SCALE: 3" = 1'-0"

**INTERIOR WOOD STICKING OPTIONS**

-  SQUARE STICKING
-  BEVEL STICKING
-  OVOLO STICKING



**SECTION VIEW**



**PLAN VIEW**

A SILL PAN IS REQUIRED FOR EXTERIOR DOORS.

TO PRINT TO SCALE, SELECT "ACTUAL SIZE" OR DESELECT "FIT TO PAGE" IN PRINT DIALOGUE BOX

PROPRIETARY AND CONFIDENTIAL  
THIS DRAWING AND ITS CONTENTS ARE THE PROPERTY OF AG MILLWORKS. REPRODUCTION OF ANY PART OF THE DRAWING IN ANY FORM WHATSOEVER WITHOUT THE PRIOR WRITTEN PERMISSION OF AG MILLWORKS IS STRICTLY FORBIDDEN. © 2021 AG MILLWORKS