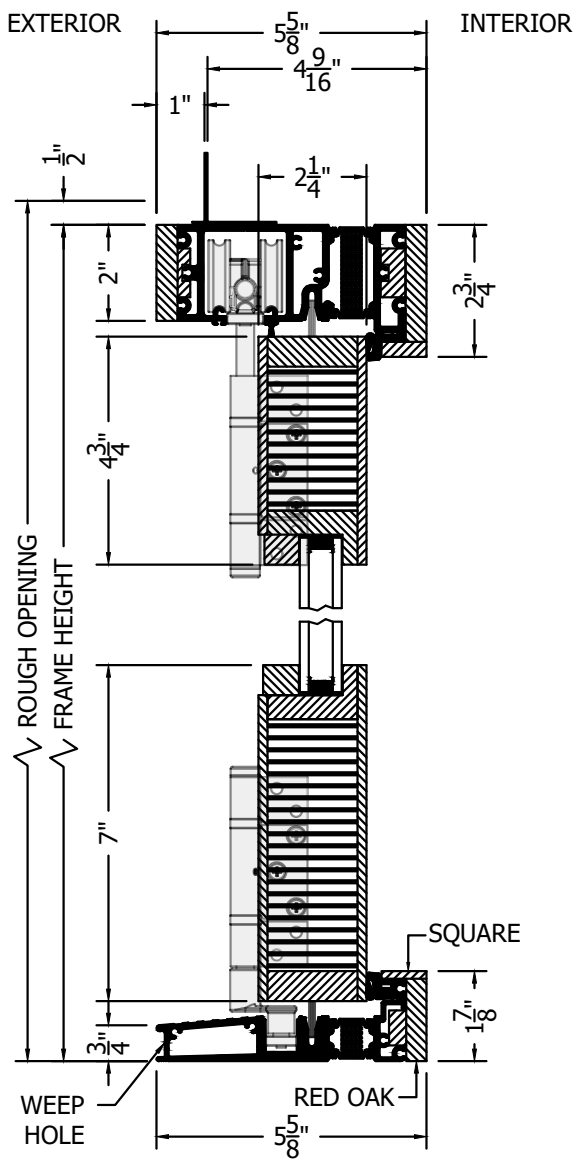


(SPECIFICATIONS MAY CHANGE WITHOUT NOTICE TO IMPROVE FUNCTION OR DESIGN)

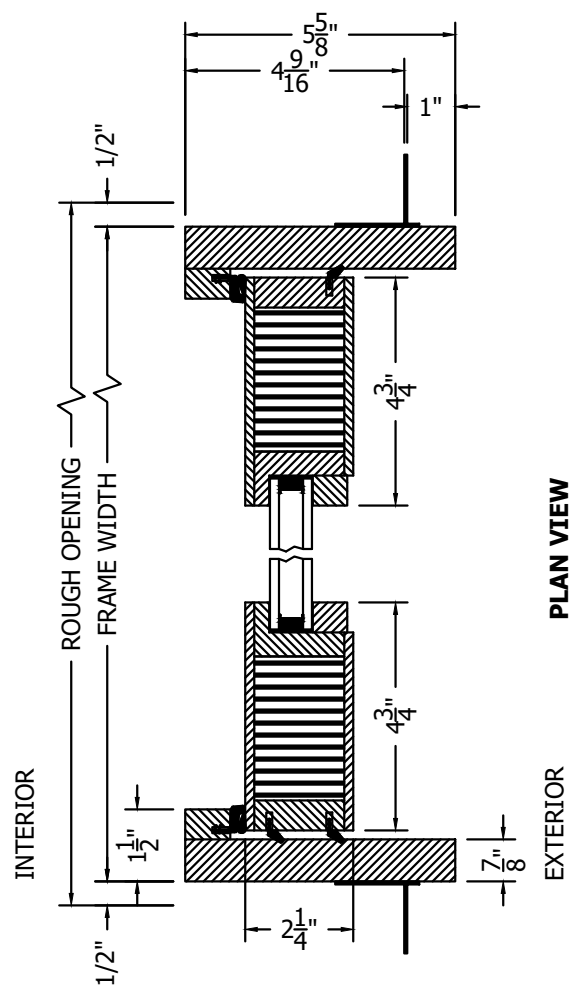


ENERGY PERFORMANCE
TRADITIONAL ALL WOOD
OUT-SWING BI-FOLD
w/ALUMINUM SILL

SCALE: 3" = 1'-0"



SECTION VIEW



PLAN VIEW

A SILL PAN IS REQUIRED FOR EXTERIOR DOORS.

TO PRINT TO SCALE, SELECT "ACTUAL SIZE" OR DESELECT "FIT TO PAGE" IN PRINT DIALOGUE BOX

PROPRIETARY AND CONFIDENTIAL
 THIS DRAWING AND ITS CONTENTS ARE THE PROPERTY OF AG MILLWORKS. REPRODUCTION OF ANY PART OF THE DRAWING IN ANY FORM WHATSOEVER WITHOUT THE PRIOR WRITTEN PERMISSION OF AG MILLWORKS IS STRICTLY FORBIDDEN. © 2021 AG MILLWORKS