

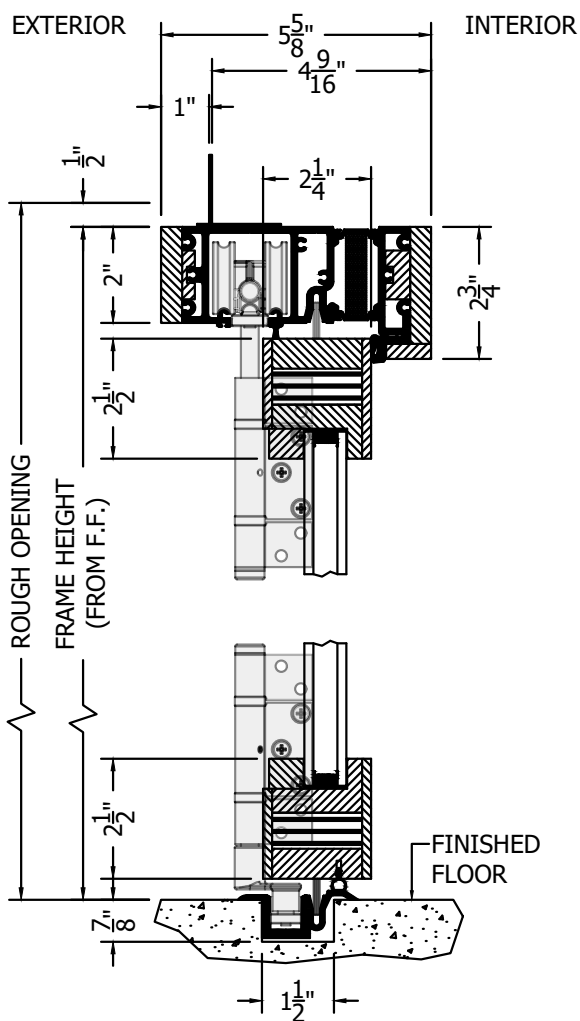
(SPECIFICATIONS MAY CHANGE WITHOUT NOTICE TO IMPROVE FUNCTION OR DESIGN)



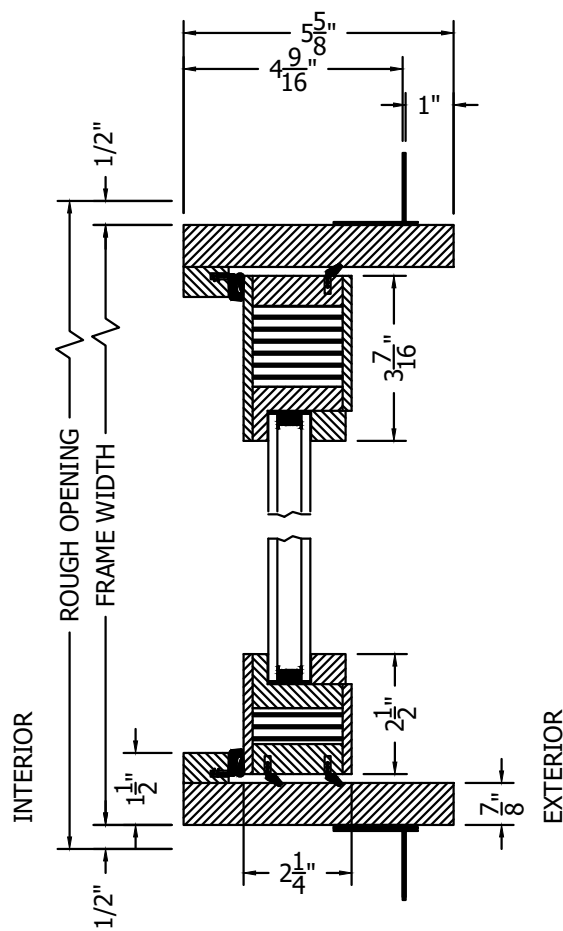
ENERGY PERFORMANCE

SLIMLINE ALL WOOD OUT-SWING BI-FOLD w/ULTRA GUIDE

SCALE: 3" = 1'-0"



SECTION VIEW



PLAN VIEW

NO WARRANTY FOR WATER, WIND OR DUST INFILTRATION ON BIFOLDS WITH ULTRA GUIDE CHANNELS.

IT IS THE SOLE RESPONSIBILITY OF THE CUSTOMER TO PROVIDE AN ADEQUATE WEEP SYSTEM FOR THE ULTRA GUIDE CHANNEL.

TO PRINT TO SCALE, SELECT "ACTUAL SIZE" OR DESELECT "FIT TO PAGE" IN PRINT DIALOGUE BOX

PROPRIETARY AND CONFIDENTIAL
THIS DRAWING AND ITS CONTENTS ARE THE PROPERTY OF AG MILLWORKS. REPRODUCTION OF ANY PART OF THE DRAWING IN ANY FORM WHATSOEVER WITHOUT THE PRIOR WRITTEN PERMISSION OF AG MILLWORKS IS STRICTLY FORBIDDEN. © 2021 AG MILLWORKS