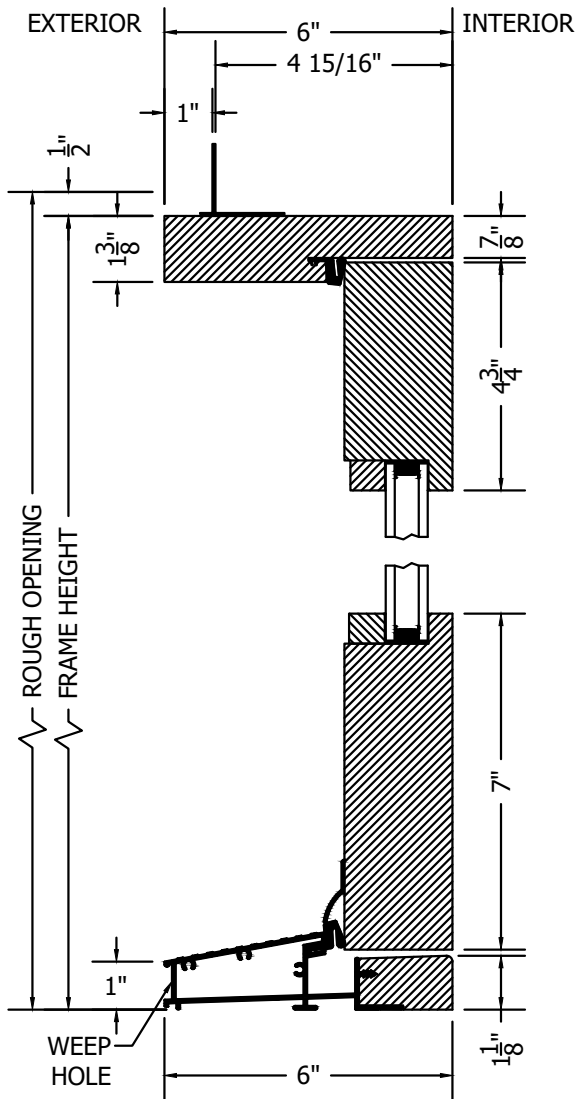
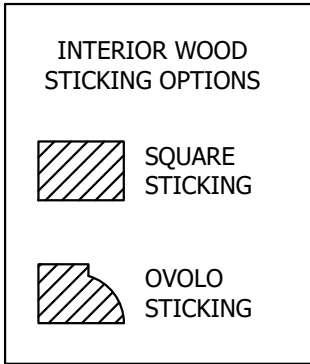


(SPECIFICATIONS MAY CHANGE WITHOUT NOTICE TO IMPROVE FUNCTION OR DESIGN)

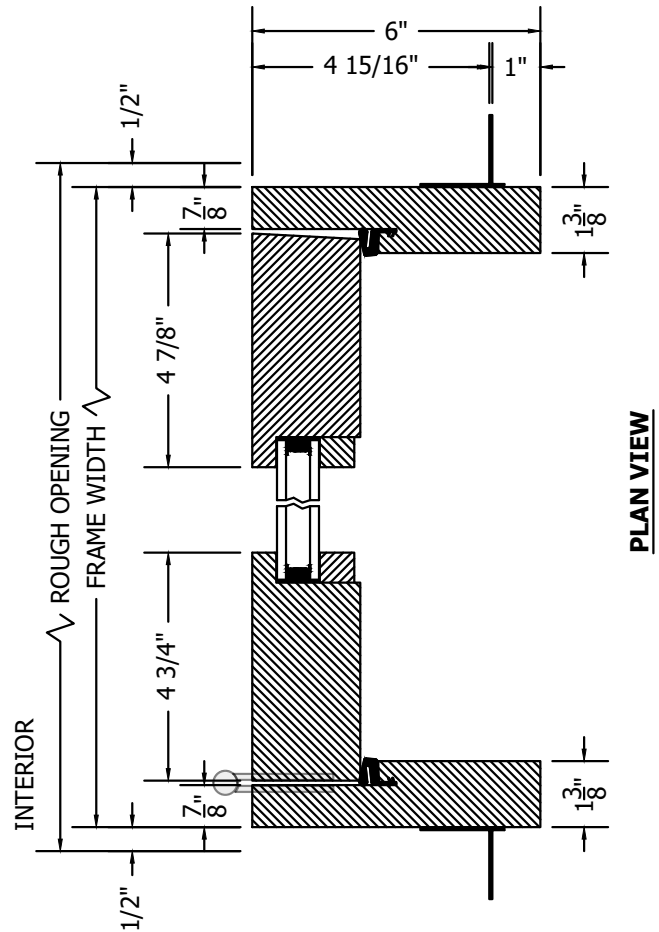


# TRADITIONAL SOLID ACCOYA IN-SWING FRENCH SINGLE DOOR w/ALUMINUM SILL

SCALE: 3" = 1'-0"



**SECTION VIEW**



**PLAN VIEW**

**TO PRINT TO SCALE, SELECT "ACTUAL SIZE" OR DESELECT "FIT TO PAGE" IN PRINT DIALOGUE BOX**

PROPRIETARY AND CONFIDENTIAL  
THIS DRAWING AND ITS CONTENTS ARE THE PROPERTY OF AG MILLWORKS. REPRODUCTION OF ANY PART OF THE DRAWING IN ANY FORM WHATSOEVER WITHOUT THE PRIOR WRITTEN PERMISSION OF AG MILLWORKS IS STRICTLY FORBIDDEN. © 2021 AG MILLWORKS