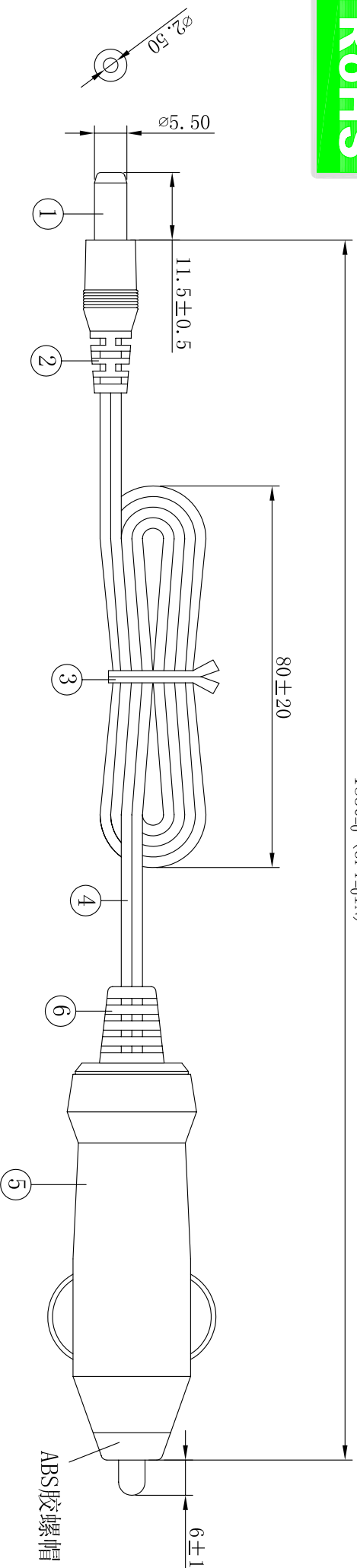




1830<sup>+50</sup> (6F1<sup>+2</sup>IN)



black wire —●— stria wire  
 黑色线 —●— 间条线

black wire —●— stria wire  
 黑色线 —●— 间条线

NO.	DESCRIPTION	SPECIFICATION	UNIT	Q'TY
1	PLUG	∅2.5x5.5x22 ± 0.5mm black hardware. (∅2.5x5.5x22 ± 0.5mm 黑色五金)	EA	1
2	PLUG HOLDER	used 30P black color PVC. (30P黑色PVC料)	EA	1
3	BAND WIRE	black enfold gluey wire. (黑色扎带)	MM	89 ± 3
4	CABLE	UL2468 AWG #22 0.16x17 rootlets, black color twin wire, 0.D. 1.8x3.6 ± 0.1mm. (UL2468 AWG #22 线芯: 0.16x17支, 黑色双支线, 外径: 1.8x3.6 ± 0.1mm)	MM	1830 <sup>+10</sup> <sub>-0</sub>
5	PLUG	New model Auto cigarette plug with 5A/250V UL Fuse, black color ABS. (新款汽车插+5A/250V UL熔断保险丝, 黑色ABS料) 铜柱, 胶螺帽	SET	1
6	PLUG HOLDER	used 60P black color PVC(用60P黑色PVC胶料)	EA	1

FUNCTION TEST: No open, no reversed polarity, no short-circuit, no INT  
 (功能测试: 无开路, 无极反, 无短路, 无INT),  
 HI-POT TEST: 600VAC, 0.5mA, 1Second. (高压测试: 600VAC, 0.5mA, 1秒).  
 CABLE ASSEMBLY SHALL BE IN COMPLIANCE WITH RoHS REQUIREMENT.  
 成品要求符合 RoHS 环保要求.

Part number: VA101225  
 Vehicle line cord with 2.5mm connector

TOLERANCE		DESIGN/DATE	徐海兵 19/09/2011	DP PLUG	END-08150
X = ± 0.5mm	ASSESSOR	DRAWING/DATE	徐海兵 19/09/2011	VC-65F6	DESIGN SIGN
X = ± 0.3mm	DATE	RATIFIER			REV
.XX = ± 0.05mm	DATE				SEC
				MM	VANSON ELECTRONICS LIMITED

MODEL: VAS-6289-A0