

## Silen Space 4

Stellar pasture for potent ideas

When important meetings, sessions, and discussions routinely involve up to eight people, this is the room-sized pod you want. Nothing leaks out, nothing seeps in.



1–8 people



### Ultimate two-way privacy

Market-leading in performance. Blocks 41 dB outside noise, 32 dB (Class A) inside speech. Office-tested, ISO-approved in the laboratory.



### Comfortable

Ergonomic, quiet, echo-free, and speech-optimized. Automated LEDs and ventilation. Over twice the standard airflow rate.



### Movable

Hidden wheels allow effortless relocation in the office. Prefabricated design offers easy disassembly and reassembly when moving.



### Spacious

Ample space to sit, stretch, stand, and move around. Available with furniture of your choice.



### Endless customization

Swap side skins and cover trims with a snap of a magnet. Choose from a variety of colors, fabrics, and furnishing options.



### Modularity

The modular design enables changing the pod size whenever needed. Add modules to create bigger spaces or split larger pods into smaller spaces.



### Sustainable

Fully renewable with a 20+ year lifespan. Designed sustainably across materials, production, and impact on surrounding environments.



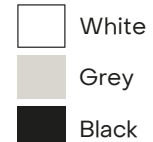
### Interior colour

#### Standard colours



### Exterior colour

#### Standard colours\*

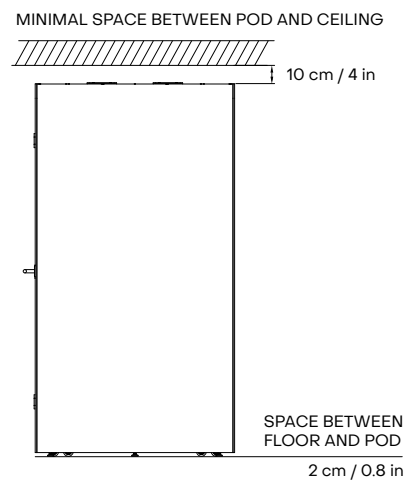
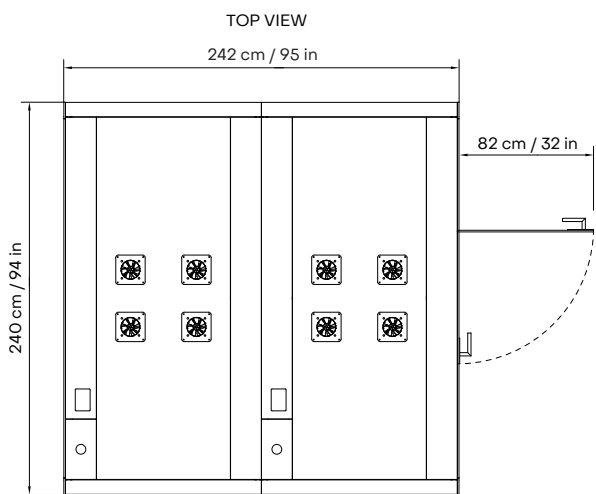
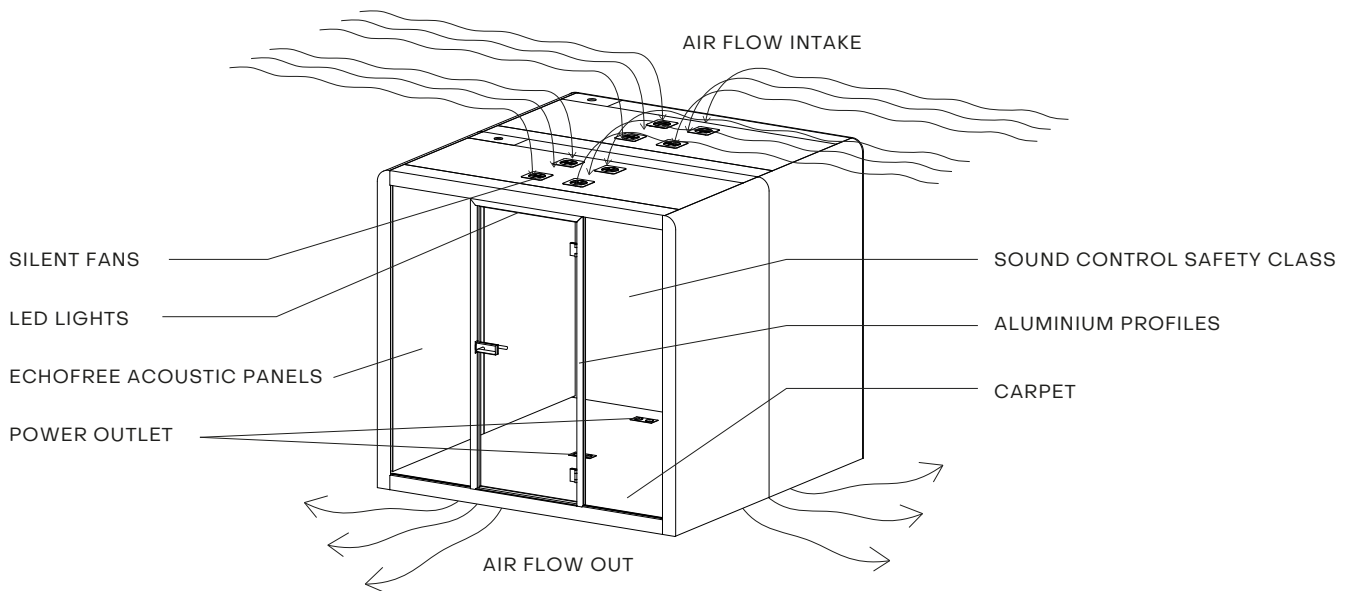
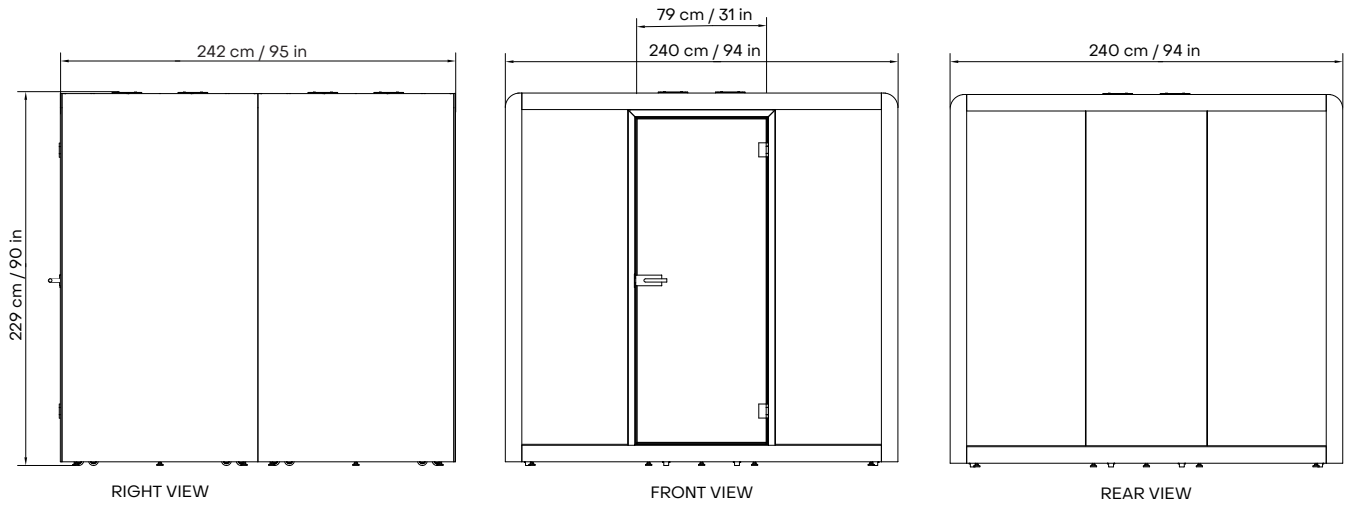


### Additional colours for extra fee



### Textile sides Camira Quest





# Space 4 technical specification

## GENERAL PRODUCT INFO

<b>Exterior size (W×D×H)</b>	240 × 242 × 229 cm / 94 × 95 × 90 in
<b>Interior size (W×D×H)</b>	220 × 236 × 205 cm / 87 × 93 × 81 in
<b>Weight (net)</b>	1200 kg / 2646 lb
<b>Weight with crate</b>	1460 kg / 3219 lb
<b>Exterior</b>	<p><b>Side panels:</b> Metal sheet with sand-structured powder coating. Fixed with magnets and easily exchangeable.</p> <p><b>Front and back trims:</b> Covered with medical-grade antibacterial laminate. Fixed with magnets and easily exchangeable.</p>
<b>Glass</b>	Sound Control laminated safety glass. Sound insulation STC 40 dB
<b>Walls/structure</b>	EchoFree panel - sandwich element and structure of FSC™ birch plywood, ecological foam and acoustic felt. Sound insulation STC 49 dB. Acoustic absorption class A
<b>Roof</b>	EchoFree panel - sandwich element of birch plywood and acoustic felt. Sound insulation STC 45 dB. Acoustic absorption class A
<b>Floor</b>	Sandwich element of birch plywood, acoustic wool. Acoustic absorption Class B
<b>Carpet</b>	Antistatic and stain resistant low loop pile carpet for public spaces, EN 1307. Flammability B <sub>f1</sub> -s1
<b>Door handedness</b>	Right- or left-handed door. Door handedness can be chosen
<b>Furniture</b>	Optional. Different sets are available
<b>Air ventilation</b>	Low energy-consumption automatic air circulation system (stand by 6,8W; in operation 13,6W). Air circulation speed is at least 125 l/s
<b>Electrical connections</b>	Option one: 4 x 110-240 V (10 A) Option two: 2 x 110-240 V (10 A) + 2 x USB-A+C
<b>Power cord</b>	5m long cord with plug type depending on the region. Connection either from the top or bottom of the pod, can be chosen during installation.
<b>Lighting</b>	3000K or 4000K automatic LED lightning (2 x 28 W, 2 x 3000 lm). Low consumption, energy-efficient
<b>Casters</b>	For moving during installation and easy relocation. Hidden. Can be activated any time.
<b>Adjustable legs</b>	For levelling. Levelling from inside the booth

## CERTIFICATION

<b>Product safety</b>	UL962 Listed
<b>Electrical safety</b>	CE-mark / UL962 Listed
<b>Fire safety</b>	Class A according to UL 723, ASTM E84, ASTM E162 (walls and ceiling)
<b>Emissions</b>	Indoor Advantage™ Gold certified by SCS Global Services
<b>Speech level reduction</b>	31,9 dB / Class A according to ISO 23351-1, measured in accredited lab
<b>Airborne sound insulation R'w</b>	41 dB according to ISO 16283-1 and ISO 717-1, measured on site by an accredited specialist
<b>Sound transmission class STC</b>	41 dB according to ASTM E90, measured on site by an accredited specialist



## Space 4 extra features



Self-closing door hinges



Additional power outlet Pluto under the table



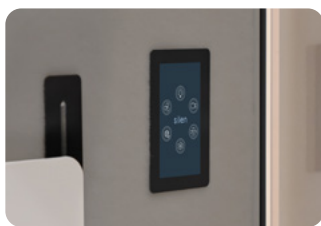
Additional power outlet Desk2 on the table



Additional power outlet Slim on the table (US)



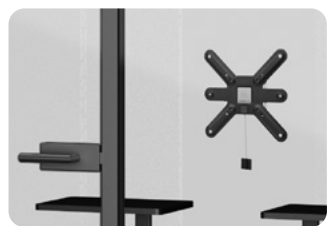
Retractable coat/bag hook



Control panel



Occupancy light



Screen bracket on back glass



Seismic kit



Sprinkler prep

### EXTRA FEATURE

**Self-closing door hinges**

**Additional power outlet Pluto under the table**

**Additional power outlet Desk2 on the table** On table top. 2 X 230 V, 1 X USB-A, 1 X USB-C

**Additional power outlet Slim on the table (us)** US only. 3 x 120V, 2 x USB-A

**LAN/RJ45/HDMI connections**

**Control panel** Airflow dimmer, light brightness dimmer, light temperature selection and controls for optional extras (face light, smart glass etc.)

**Occupancy light**

**Screen bracket on back glass**

**Screen bracket on side wall**

**Frosted film on glass**

**Retractable coat/bag hook**

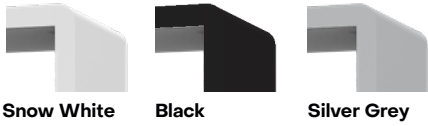
**Sprinkler prep** Knockout with a tube inside. The ceiling module for housing a sprinkler. Does not include a sprinkler. Sprinkler needs to be installed by a certified company.

**Seismic kit** Brackets to mount the floor module to the existing floor with anchor bolts



# Options for surfaces

## Standard colours



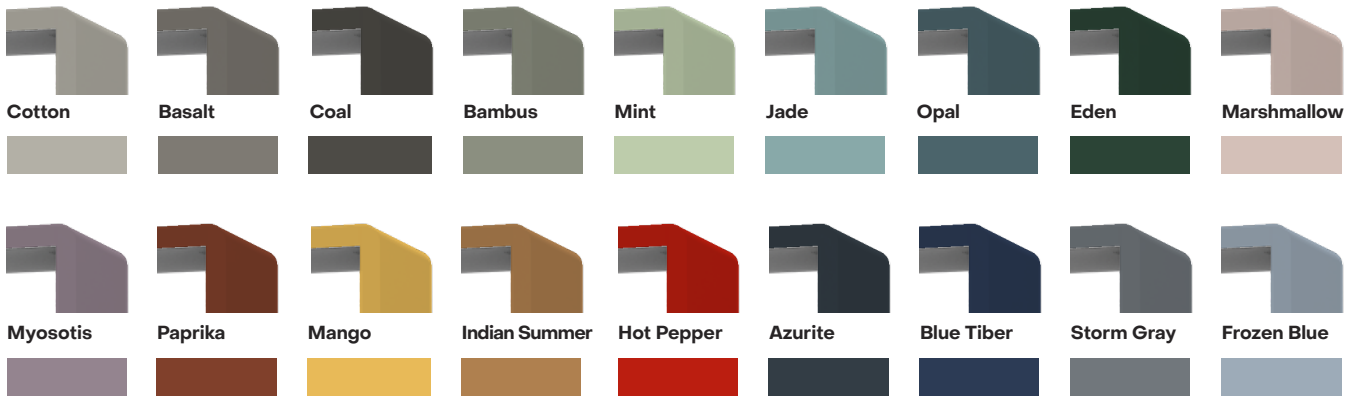
Snow White    Black    Silver Grey

## Veneer

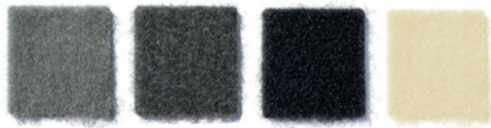


Oak Veneer    Dark Oak Veneer

## Extra colours

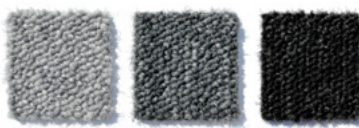


## Standard wall and ceiling



Light gray    Dark gray    Black    Sand

## Standard floor



Light gray    Dark gray    Black

## Standard profiles



White    Anodized gray    Black

## Textile sides (Camira Quest)\*



\* Only for Silen Dynamics Generation

Fully upcycled Furniture textiles with 70% marine plastic content

