

# Wally

## User Manual

Please read this manual carefully before using Wally wall repair stand. Failure to follow the precautions described in this manual can cause damage to the stand and personal injury.

### Safety Precautions

- ◆ Before proceeding with any operation described in this manual, make sure you understand the instructions. If you have any trouble whatsoever, contact us at [info@dbd-tools.com](mailto:info@dbd-tools.com). We are here to help you.
- ◆ The stand is designed for indoor use only.
- ◆ For cleaning the stand use a cloth and isopropyl alcohol.
- ◆ Do not modify any part of the stand. Doing so can cause serious injury.
- ◆ Keep the work area clear of obstructions.
- ◆ The stand is designed for bicycle repair, do not use it for other purposes.
- ◆ Before using the stand make sure all the screws are installed correctly and tightened sufficiently.
- ◆ Before attempting any repair operation to the stand, find a suitable manual for the intended operation or contact us to help you.

## Assembly and Installation

### Required tools (not included)

Wally requires very little assembly before use, making it convenient for the user.

Required tools for installation:

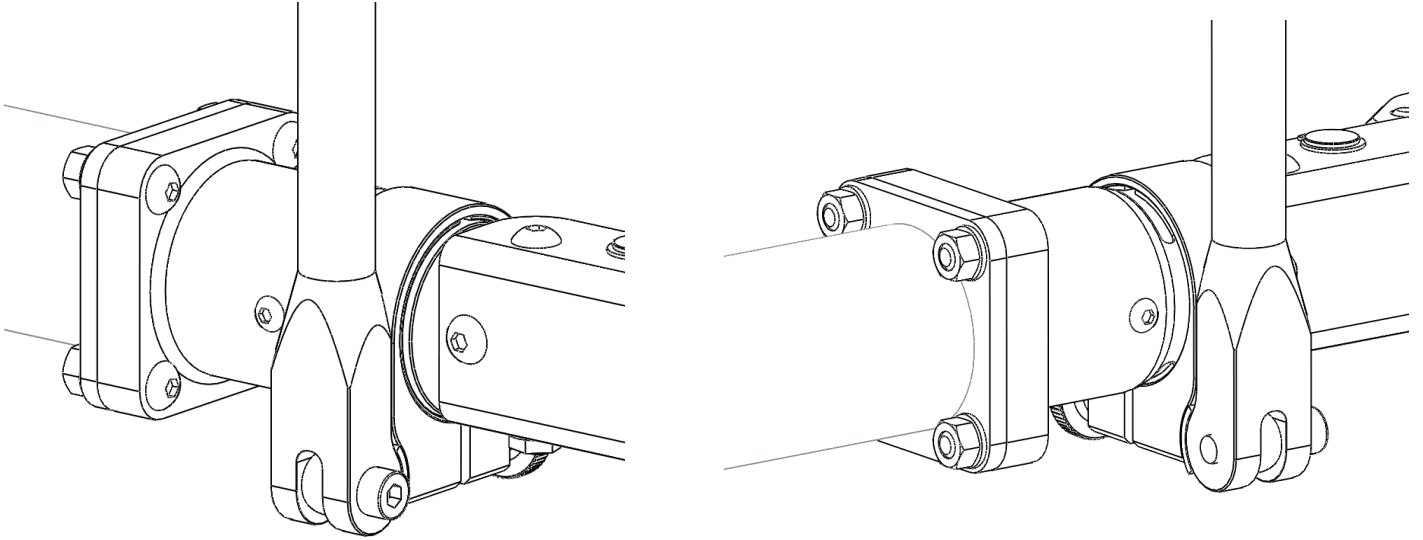
- ◆ Clamp – 5 mm hex wrench, 13 mm wrench / socket wrench
- ◆ Mounting to the wall – depends on mounting method – user's choice

### Notes:

- ◆ Wally's **weight capacity is 40 kg**. DBDtools is not responsible for any damage caused by overloading of the stand.
- ◆ The user is responsible for mounting to the selected surface. DBDtools is not responsible for any damage caused by insufficient / incorrect mounting of the product.

## Installation of the clamp:

1. Place the clamp onto the square face of Wally.
2. Insert the four included M8x30 screws through the holes on the clamp and Wally.
3. Place the four included M8 washers on the screws from the back side.
4. Thread the four included M8 nuts onto the screws.
5. Make sure the clamp is straight and tighten the nuts with a 13 mm wrench while holding the screws with a 5 mm hex wrench.



---

## Mounting to the wall:

1. The mounting hardware is not included due to different wall materials.
2. Select a screw type and length suitable for your wall. You can use threaded screws with inserts or alternatively wood screws if you determine they are sufficient for fixing the stand firmly onto the wall.
3. Use washers under the screw heads to avoid damaging the paint.
4. The mounting hole pattern is on the last page of this manual.

