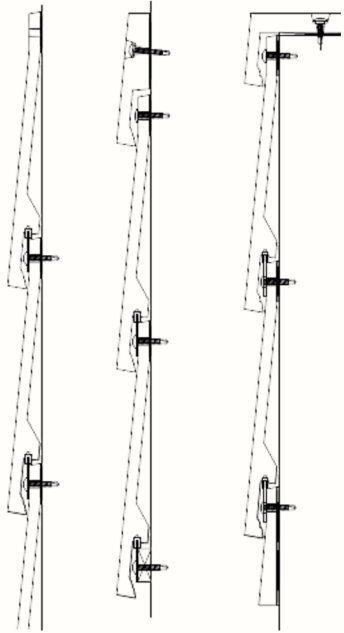


Facade shingles in VikingClad® GRC

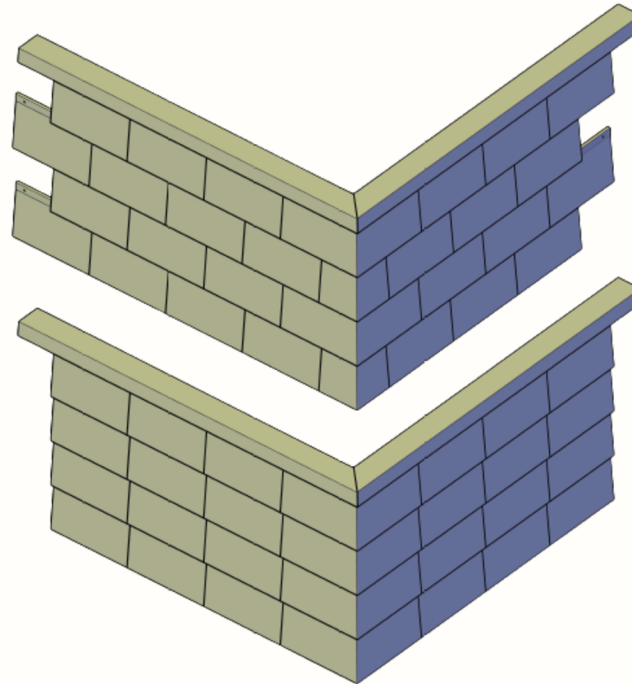


BB fiberbeton

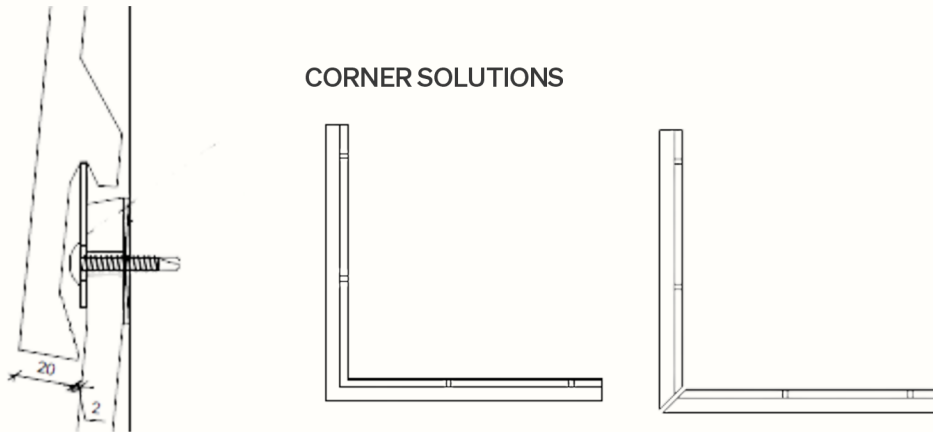
MOUNTING



BOND



CORNER SOLUTIONS



Light. Shapeable. Built for your vision.

Facade shingles in our VikingClad® GRC give you the look of shingles – with far greater design freedom.

The slim, lightweight elements open up flexibility in both design and construction. The result is a facade that feels solid, and is thought through down to the finest detail.

Work freely with formats and bonds. Our solution is shaped around your project, from concept to completed facade - ensuring that aesthetics, function and installation align from the outset. You get a durable solution with proven performance, in a material with low environmental impact. Perfect for projects targeting environmental certifications.

Geometry:

Elements are produced in slim formats down to approx. 12 mm and can be combined into a complete system of around 35 mm. Geometry is tailored to each project's specific criteria.

Colour & surface:

Colours and finishes are developed specifically for each project. From calm, uniform expressions to more tactile textures – giving you the freedom to create a facade with character and depth.

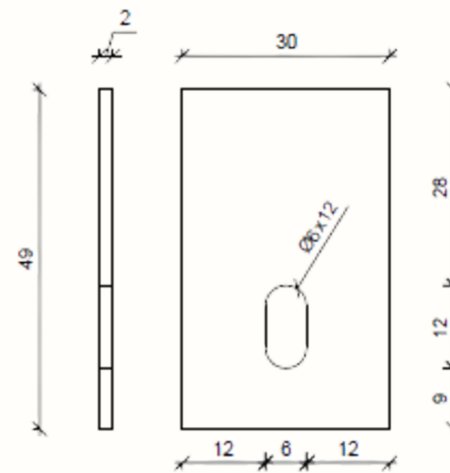
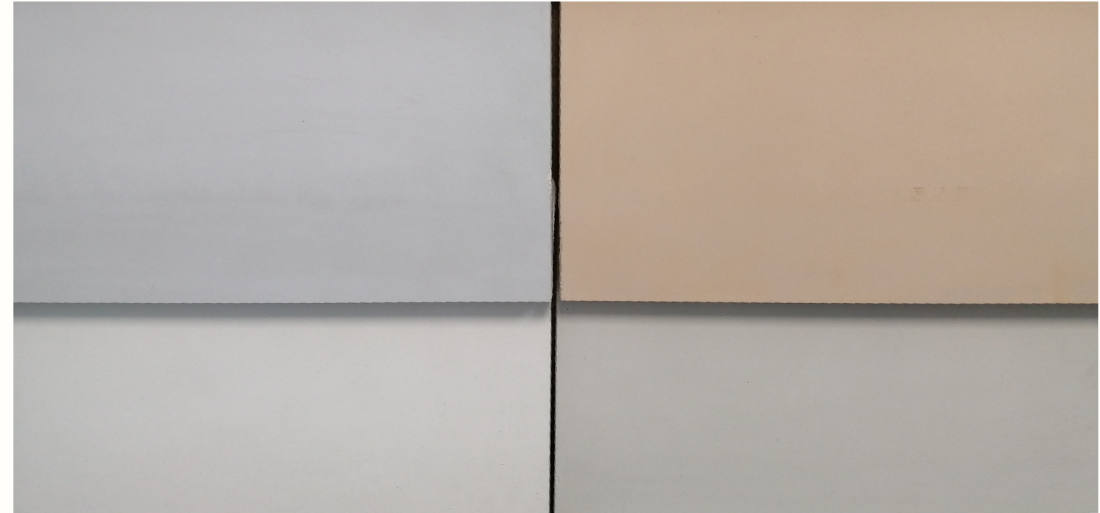
Installation:

Facade shingles are installed as lightweight panels with concealed fixings. The system requires no specialist brackets, and adapts to the building structure. Corners and terminations are fully integrated, ensuring a sharp, consistent expression.

Facade shingles in VikingClad® GRC



SAMPLE ELEMENTS



BRACKETS

Built for real-world conditions

Facade shingles in VikingClad® GRC are developed to perform in practice. The elements are easy to handle and adjust, making on-site work more efficient and straightforward. Fixings and joints are designed as an integrated part of the system, ensuring simple installation and a clean finish with no visible attachments.

The material withstands cold, heat and driving rain, maintaining its appearance over time – even under demanding conditions.