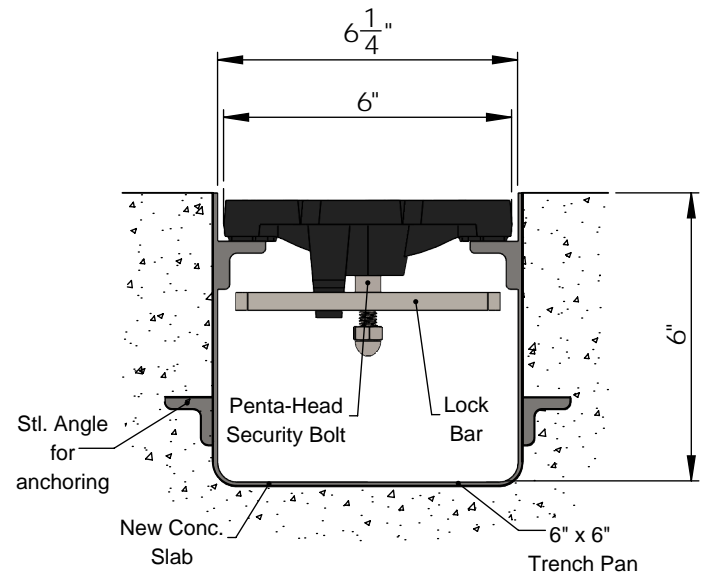


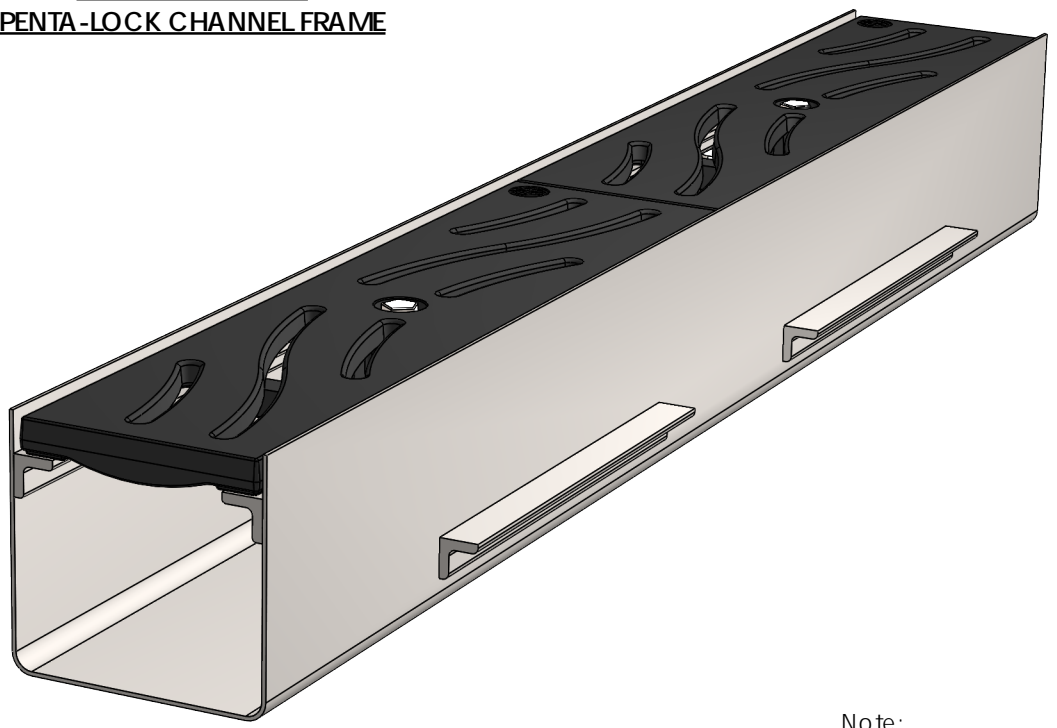
Stainless Steel Pentagon Security Bolt
Secures Stainless Steel Locking Bar to Frame

06" WIDE CAST IRON GRATES-
TSUNAMI STYLE W/
PENTA-LOCK CHANNEL FRAME

Grates furnished in 24" and 18"
Standard Lengths



CROSS SECTION



Note:
Bare cast iron finish will rust

Product No. : T-06C Tsunami

Grate Material: ASTM-A 48 Class 35B Gray Iron

Grate Finish: Plain or anti-skid Black Powder Coat

Frame Material: A 36 Mild Steel

Frame Finish: Plain or Hot Dip Galvanized

Grate + Frame Weight: 21.3 lbs./LF.

6" x 18": Open Area 10.3 sq. in.

6" x 24": Open Area 14.6 sq. in.

Medium Duty (150 psi), ADA Compliant Grating



EVERGRATE
A DIVISION OF JR HOE