
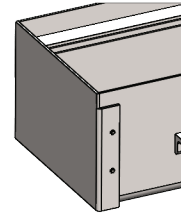
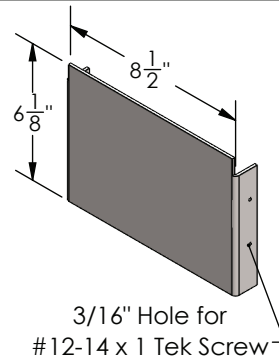


**T-08C Channel Frame - End Plates**

Material: 1/8" Carbon Steel  
 Finish: Plain Steel or Galvanized Steel  
 (to match trench frame)  
 Hardware: #12-14 x 1 Teks Screws (included)

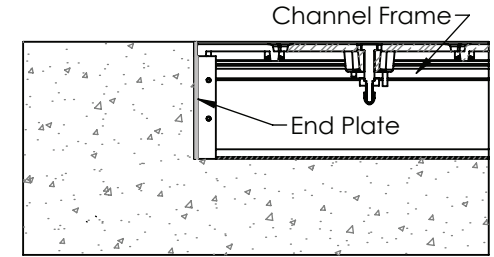
End plates are sold separately as an optional installation accessory.

Made in USA 

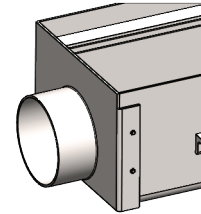
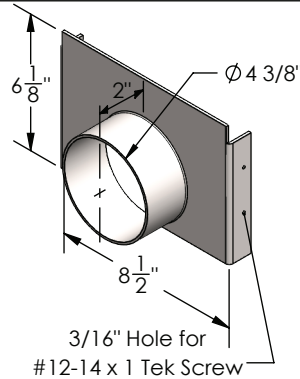


Part No. P-08C-CL

**CLOSED END**

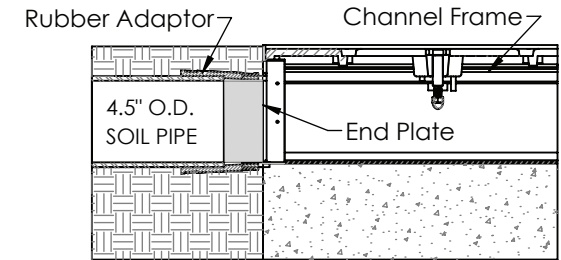


(TYPICAL INSTALLATION DETAIL)

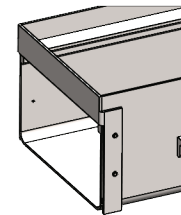
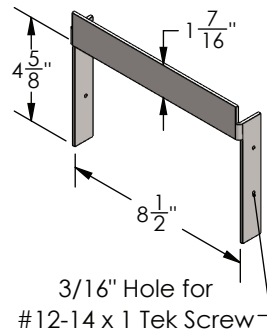


Part No. P-08C-PP

**PIPE ENTRY**

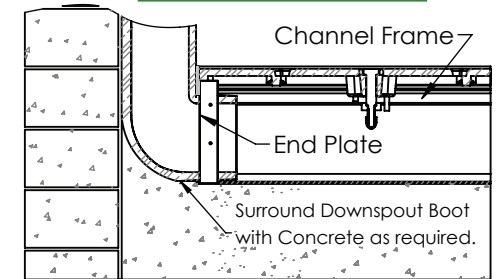


(TYPICAL INSTALLATION DETAIL)



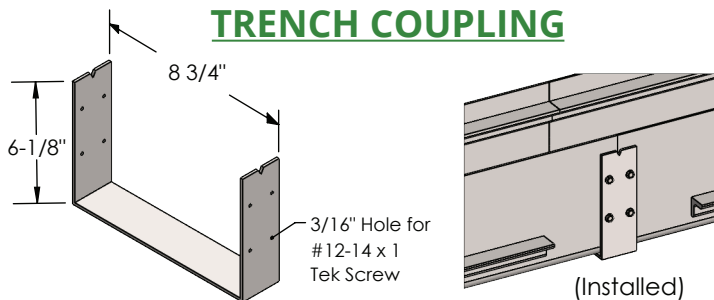
Part No. P-08C-DS

**DS BOOT ENTRY**

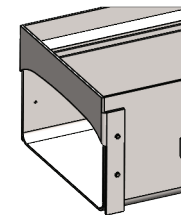
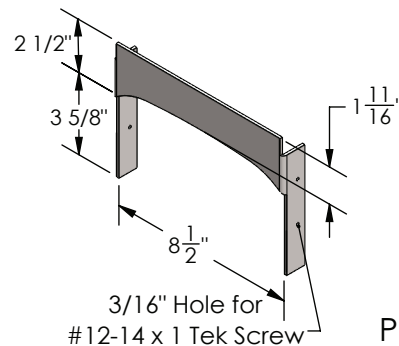


(TYPICAL INSTALLATION DETAIL)

**TRENCH COUPLING**

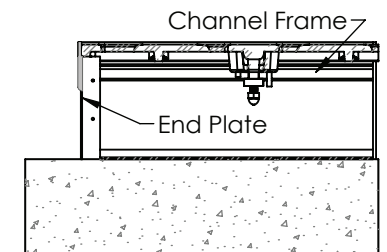


Part No. P-08UC



Part No. P-08C-CP

**COVER PLATE**



(TYPICAL INSTALLATION DETAIL)