

PRODUCT: QECHO72T

POWDER COAT STD. COLOR:

COLOR: _____

SEE COLOR CHART ON WEBSITE: <https://qcp-corp.com/finishes>

QUANTITY:

FRAMING/SEATING MATERIAL:

ALUMINUM

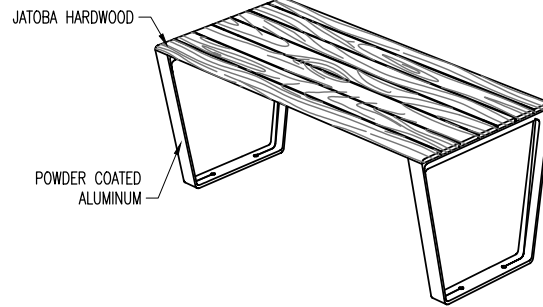
Authorized Signature

Date

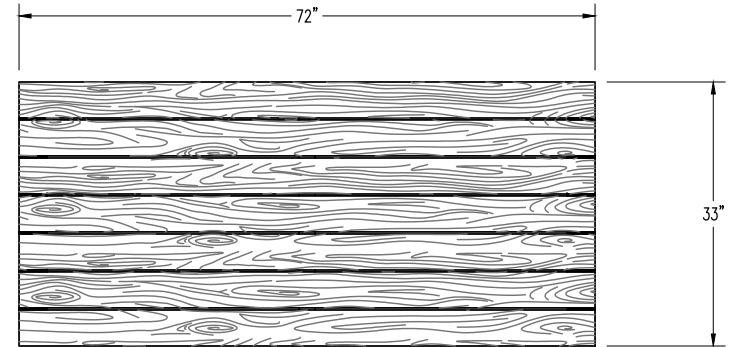
By signing above or stamping this drawing "approved" or "no exception taken" authorization is given to QCP to produce this drawing as shown within a 1/8" tolerance.

GENERAL PRODUCT NOTES:

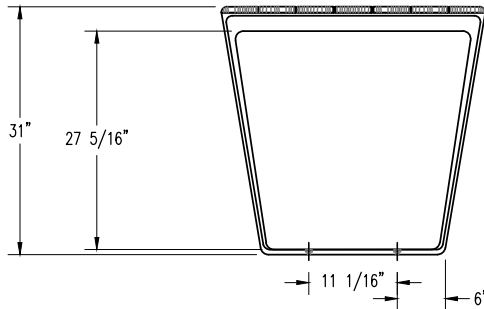
1. ALL COMPONENTS ARE SANDBLASTED, CLEANED, AND FINISHED WITH ZINC EPOXY PRIMER AND POLYESTER POWDER COAT.
2. WE DO NOT RECOMMEND PRE-DRILLING BOLT HOLE LOCATIONS (ANCHOR BOLTS NOT PROVIDED).
3. INSTALLATION BY OTHERS



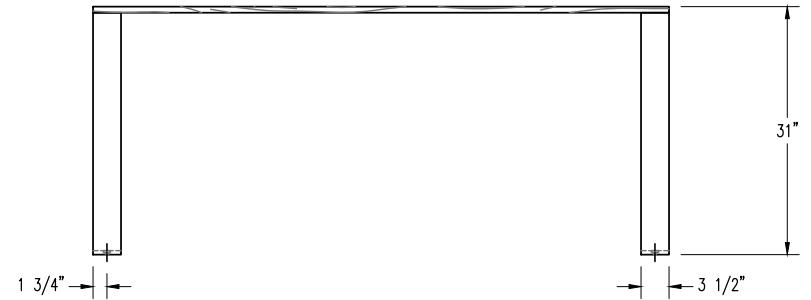
ISOMETRIC
N.T.S.



PLAN VIEW



SECTION VIEW



ELEVATION VIEW



<p>PLAN TYPE</p> <p>PRODUCT</p> <p>PROJECT NAME</p>	<p>CONSTRUCTION PLAN</p>	<p>DATE</p> <p>9/26/25</p>	<p>FILE NO.</p> <p>QECHO72T</p>	<p>SHEET</p> <p>OF</p>
	<p>QECHO72T TABLE ECHO</p>	<p>SCALE</p> <p>1/2" = 1'</p>	<p>DRAWN BY:</p> <p>L.S.</p>	
		<p>PC. NO.</p>	<p>QC ITEM NO.</p>	

PRODUCT: Q1ECHO72B

POWDER COAT STD. COLOR:

COLOR: _____

SEE COLOR CHART ON WEBSITE: <https://qcp-corp.com/finishes>

QUANTITY:

FRAMING/SEATING MATERIAL:

ALUMINUM

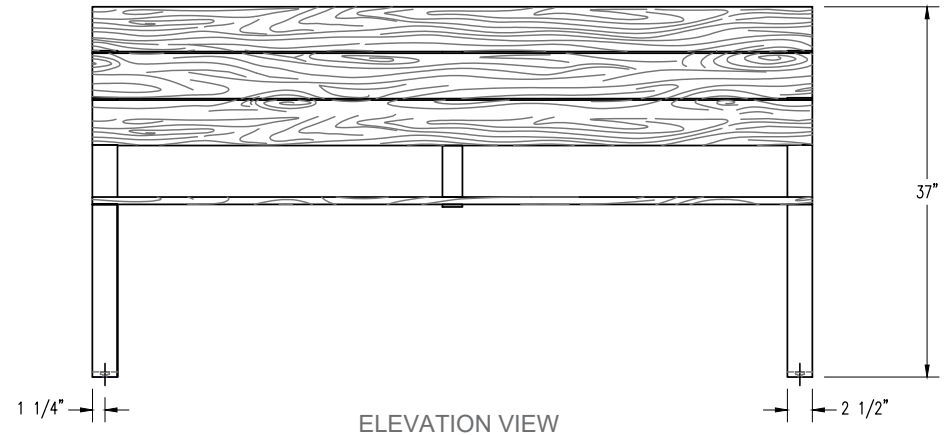
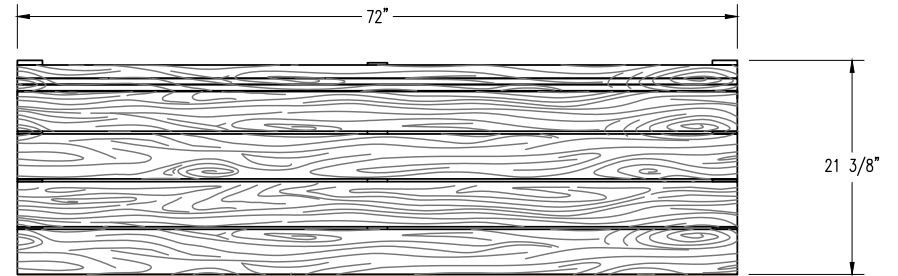
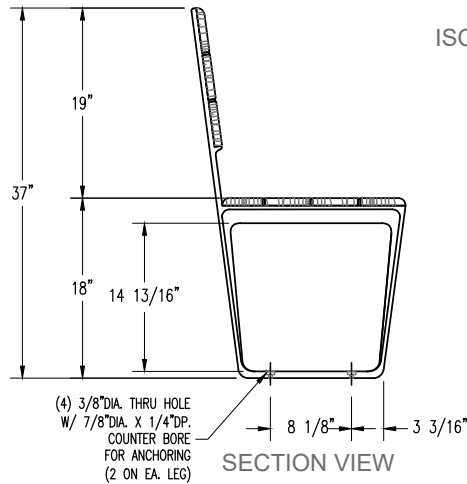
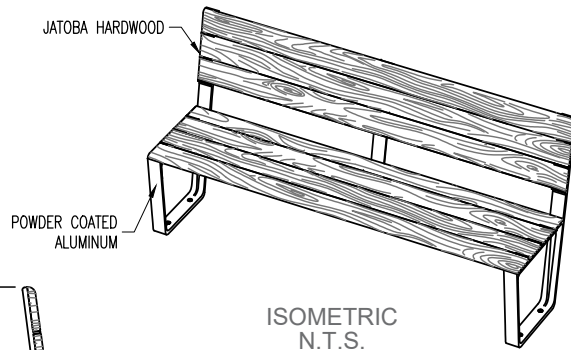
Authorized Signature

Date

By signing above or stamping this drawing "approved" or "no exception taken" authorization is given to QCP to produce this drawing as shown within a 1/8" tolerance.

GENERAL PRODUCT NOTES:

1. ALL COMPONENTS ARE SANDBLASTED, CLEANED, AND FINISHED WITH ZINC EPOXY PRIMER AND POLYESTER POWDER COAT.
2. WE DO NOT RECOMMEND PRE-DRILLING BOLT HOLE LOCATIONS (ANCHOR BOLTS NOT PROVIDED).
3. INSTALLATION BY OTHERS



QCP
www.qcp-corp.com

PLAN TYPE	CONSTRUCTION PLAN	DATE	10/6/25	FILE NO.	Q1ECHO72B	SHEET
PRODUCT	Q1ECHO72B BENCH ECHO	SCALE	5/8" = 1'	DRAWN BY:	L.S.	OF
PROJECT NAME		PC. NO.		QC ITEM NO.		

PRODUCT: Q1ECHO72BA

POWDER COAT STD. COLOR:

COLOR: _____

SEE COLOR CHART ON WEBSITE: <https://qcp-corp.com/finishes>

QUANTITY:

FRAMING/SEATING MATERIAL:

ALUMINUM

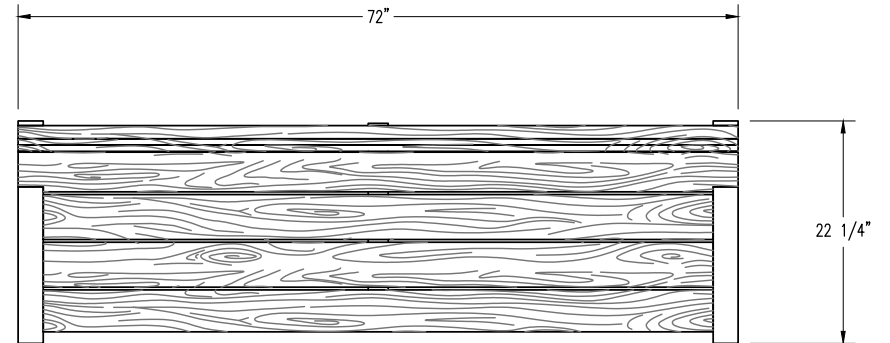
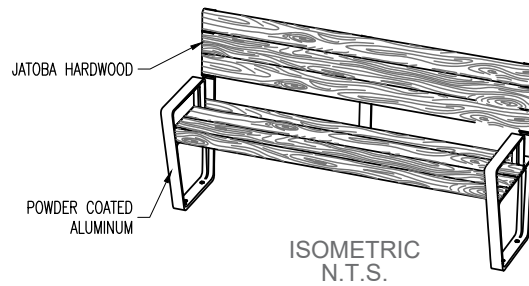
Authorized Signature

Date

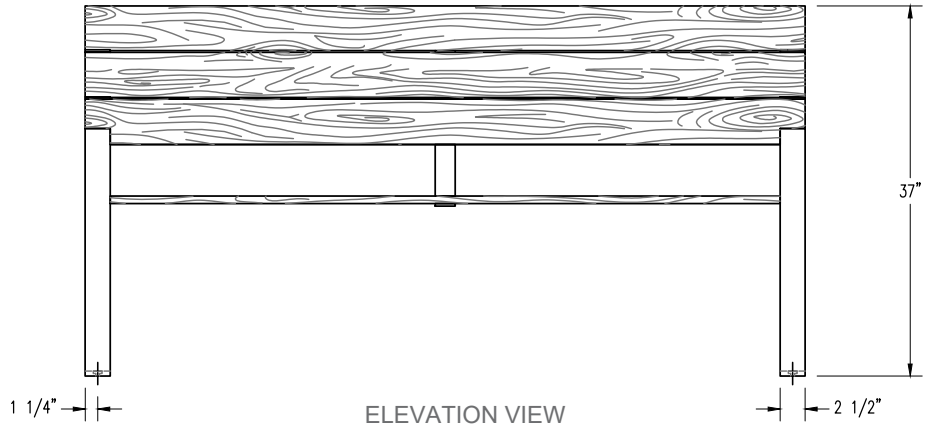
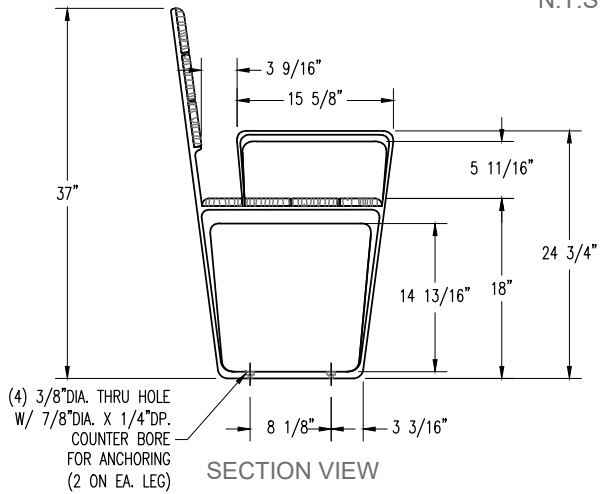
By signing above or stamping this drawing "approved" or "no exception taken" authorization is given to QCP to produce this drawing as shown within a 1/8" tolerance.

GENERAL PRODUCT NOTES:

1. ALL COMPONENTS ARE SANDBLASTED, CLEANED, AND FINISHED WITH ZINC EPOXY PRIMER AND POLYESTER POWDER COAT.
2. WE DO NOT RECOMMEND PRE-DRILLING BOLT HOLE LOCATIONS (ANCHOR BOLTS NOT PROVIDED).
3. INSTALLATION BY OTHERS



PLAN VIEW



ELEVATION VIEW



PLAN TYPE	CONSTRUCTION PLAN	DATE	10/6/25	FILE NO.	Q1ECHO72BA	SHEET
	PRODUCT	Q1ECHO72BA BENCH ECHO	SCALE	5/8" = 1'	DRAWN BY:	
	PROJECT NAME		PC. NO.		QC ITEM NO.	

PRODUCT: Q2ECHO72B

POWDER COAT STD. COLOR:

COLOR: _____

SEE COLOR CHART ON WEBSITE: <https://qcp-corp.com/finishes>

QUANTITY:

FRAMING/SEATING MATERIAL:

ALUMINUM

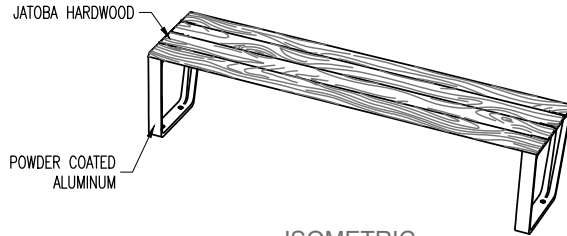
Authorized Signature

Date

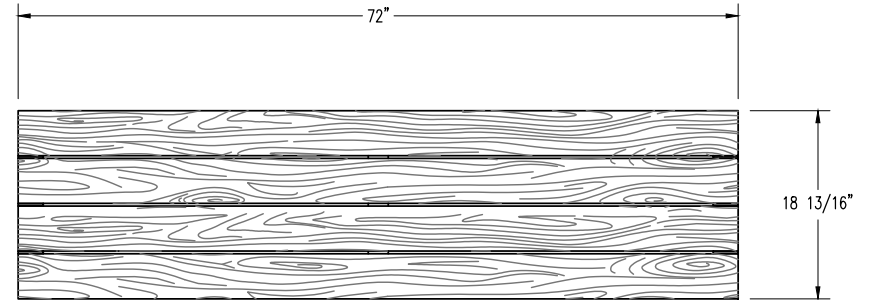
By signing above or stamping this drawing "approved" or "no exception taken" authorization is given to QCP to produce this drawing as shown within a 1/8" tolerance.

GENERAL PRODUCT NOTES:

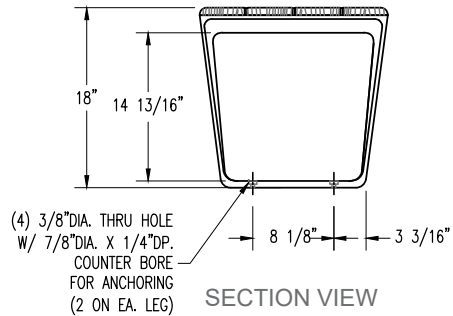
1. ALL COMPONENTS ARE SANDBLASTED, CLEANED, AND FINISHED WITH ZINC EPOXY PRIMER AND POLYESTER POWDER COAT.
2. WE DO NOT RECOMMEND PRE-DRILLING BOLT HOLE LOCATIONS (ANCHOR BOLTS NOT PROVIDED).
3. INSTALLATION BY OTHERS



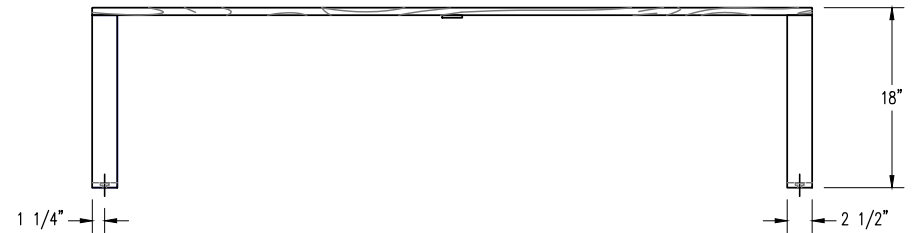
ISOMETRIC
N.T.S.



PLAN VIEW



SECTION VIEW



ELEVATION VIEW



<p>PLAN TYPE</p> <p>PRODUCT</p> <p>PROJECT NAME</p>	<p>CONSTRUCTION PLAN</p>	<p>DATE</p> <p>10/6/25</p>	<p>FILE NO.</p> <p>Q2ECHO72B</p>	<p>SHEET</p> <p>OF</p>
	<p>Q2ECHO72B BENCH ECHO</p>	<p>SCALE</p> <p>5/8" = 1'</p>	<p>DRAWN BY:</p> <p>L.S.</p>	
		<p>PC. NO.</p>	<p>QC ITEM NO.</p>	