



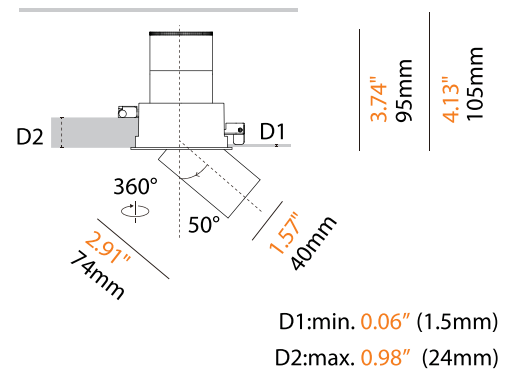
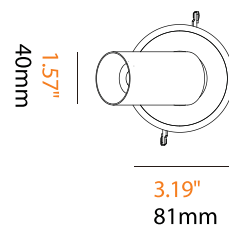
# GIANNA-T-T



P. system	I (led)	Beam Angle	CCT	Lumens
10W	250mA	15°	2700K	490.5lm
			3000K	543.0lm
			4000K	653.5lm
10W	250mA	25°	2700K	746.0lm
			3000K	798.5lm
			4000K	909.0lm
10W	250mA	35°	2700K	808.1lm
			3000K	860.6lm
			4000K	971.1lm



Light Source	Input Voltage	CRI	UGR	Shielding Angle
LED COB	DC36V	90Ra	☒ 13	45°



### With Trim



### Accessories



Driver: 120-277Vac ON-OFF | TRIAC | 0/1-10V | DALI

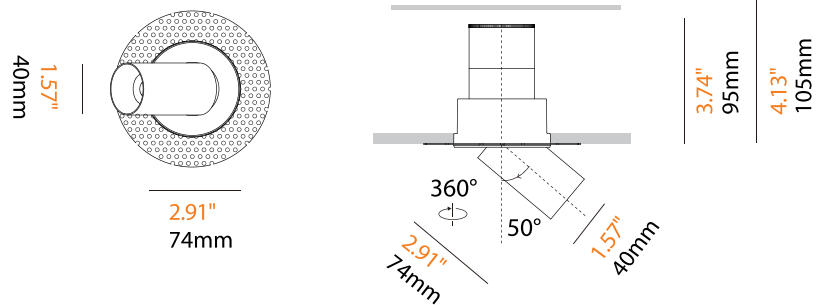
# GIANNA-T-TL



P. system	I (led)	Beam Angle	CCT	Lumens
10W	250mA	15°	2700K	490.5lm
			3000K	543.0lm
			4000K	653.5lm
10W	250mA	25°	2700K	746.0lm
			3000K	798.5lm
			4000K	909.0lm
10W	250mA	35°	2700K	808.1lm
			3000K	860.6lm
			4000K	971.1lm



Light Source	Input Voltage	CRI	UGR	Shielding Angle
LED COB	DC36V	90Ra	☒ 13	45°



## Trimless



Driver: 120-277Vac ON-OFF | TRIAC | 0/1-10V | DALI

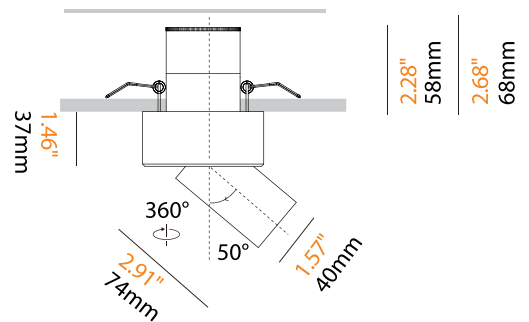
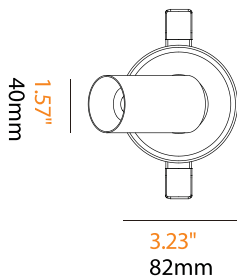
# GIANNA-T-TL



P. system	I (led)	Beam Angle	CCT	Lumens
10W	250mA	15°	2700K	490.5lm
			3000K	543.0lm
			4000K	653.5lm
10W	250mA	25°	2700K	746.0lm
			3000K	798.5lm
			4000K	909.0lm
10W	250mA	35°	2700K	808.1lm
			3000K	860.6lm
			4000K	971.1lm



Light Source	Input Voltage	CRI	UGR	Shielding Angle
LED COB	DC36V	90Ra	☒ 13	45°



## Color

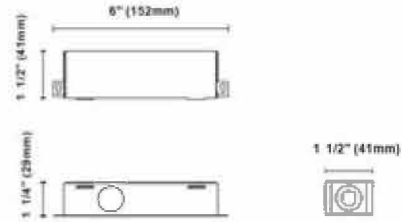


Driver: 120-277Vac ON-OFF | TRIAC | 0/1-10V | DALI

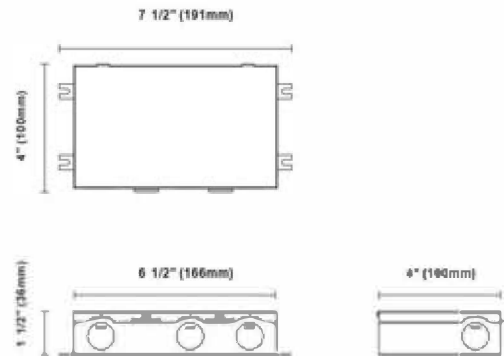
Accessories

Drivers in Junction Box

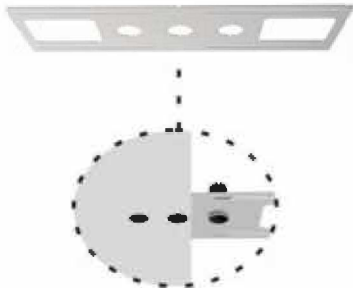
**CMEM55-XX**  
 TRIAC 6W, 8W, 10W, 15W  
 XX = \*Must specify wattage\*



**KIG-020-WDJ**  
 Triac/0-10V/1-10V LED DRIVER 10w/15w/17w/18w/20w 120-277V  
 [250mA, 350mA, 400mA, 450mA, 500mA, 600mA, 700mA]



Brackets for New-Construction

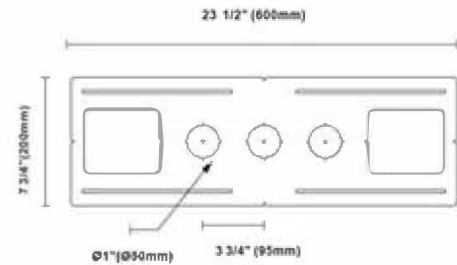


**BRKT-3R45A**

For Artemis trim & trimless  
 Type: New construction plate

Cut out:

Round: Ø1" \* 3 (Ø50mm)



Remark

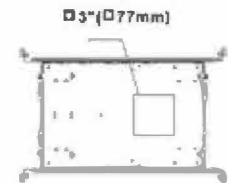
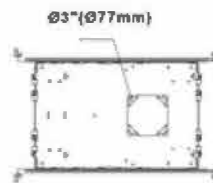
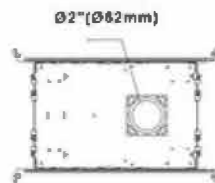
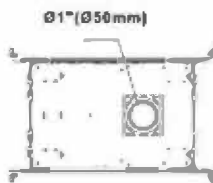
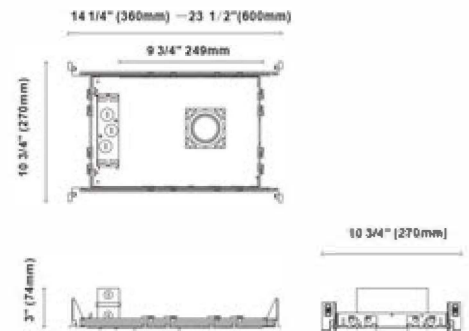
- Tailored brackets are available with a reasonable surcharge, details as below,
- The customized brackets' dimensions are still the same as the existing ones, 600\*200mm
  - Hole sizes can be customized within the range of 25-100mm
  - Holes quantity can be indicated, 1-7pcs
  - Holes' positions on the bracket can be done as requests

**Brackets for New-Construction (4-legs)**

**NCP-SR3-R21-XXX**  
 xxx = \*must specify wattage\*



Cut out:  
 Round: Ø3" (Ø77mm)  
           Ø2" (Ø62mm)  
           Ø1" (Ø50mm)  
 Square: □3" (□77mm)

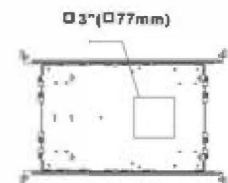
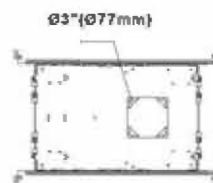
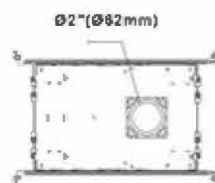
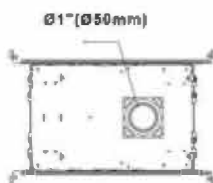
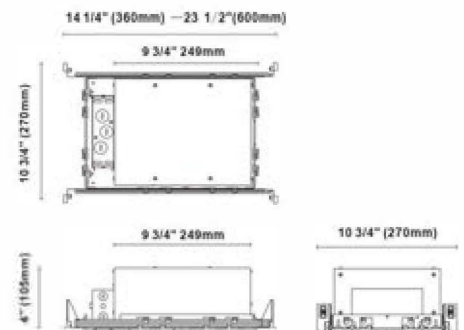


**IC-Box for New-Construction (4-legs)**

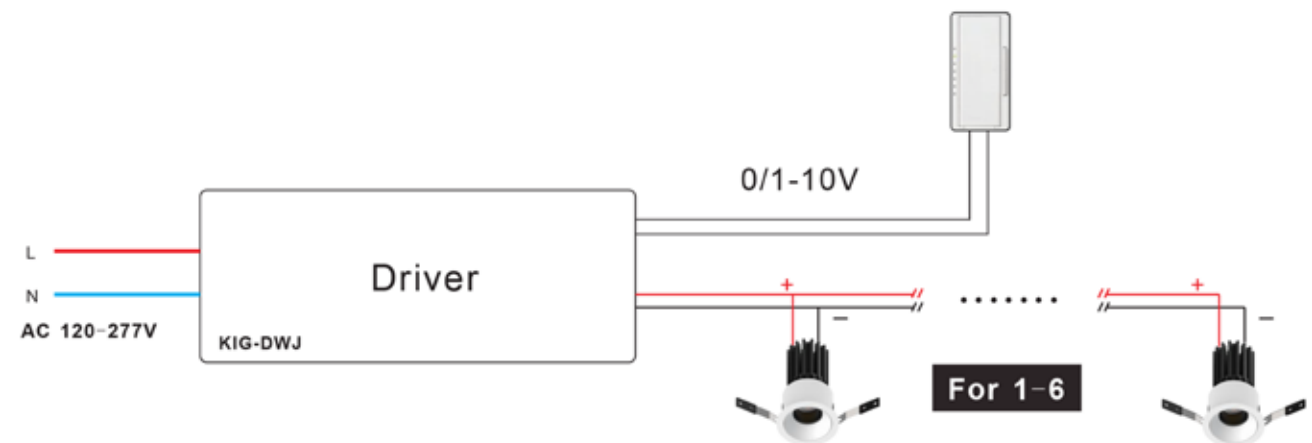
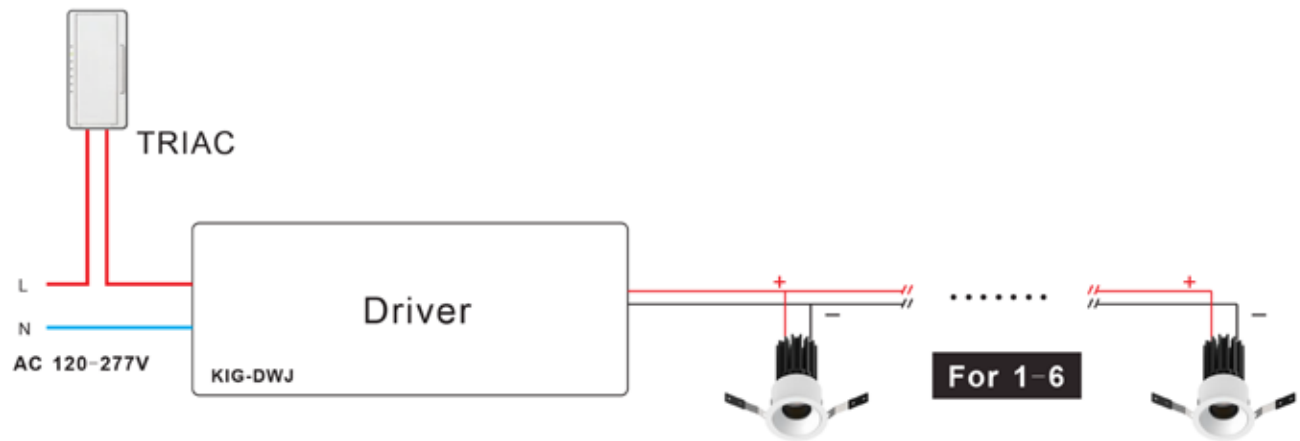
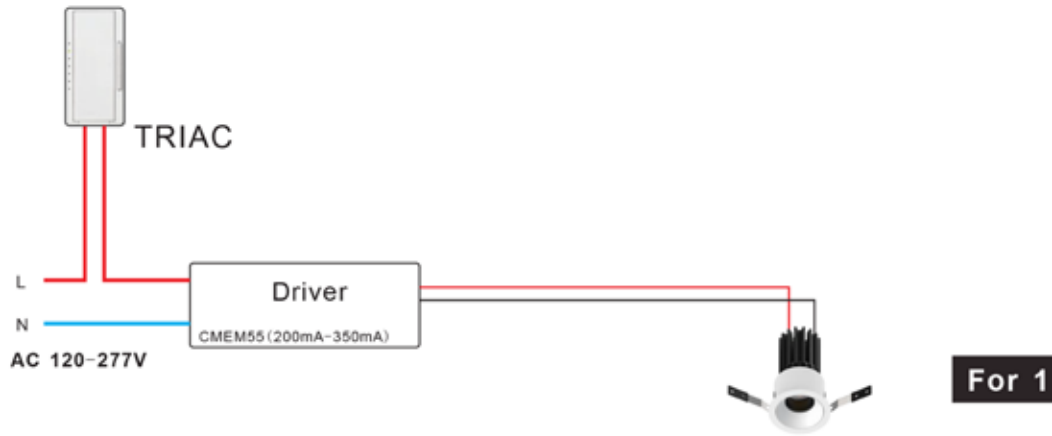
**NCBX-SR3-R21-XXX**  
 xxx = \*must specify wattage\*



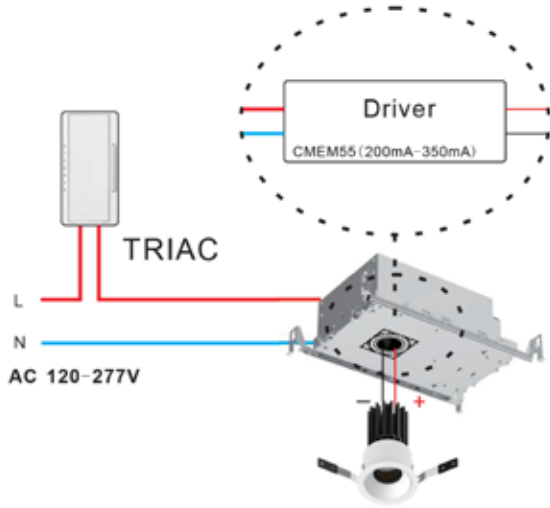
Cut out:  
 Round: Ø3" (Ø77mm)  
           Ø2" (Ø62mm)  
           Ø1" (Ø50mm)  
 Square: □3" (□77mm)



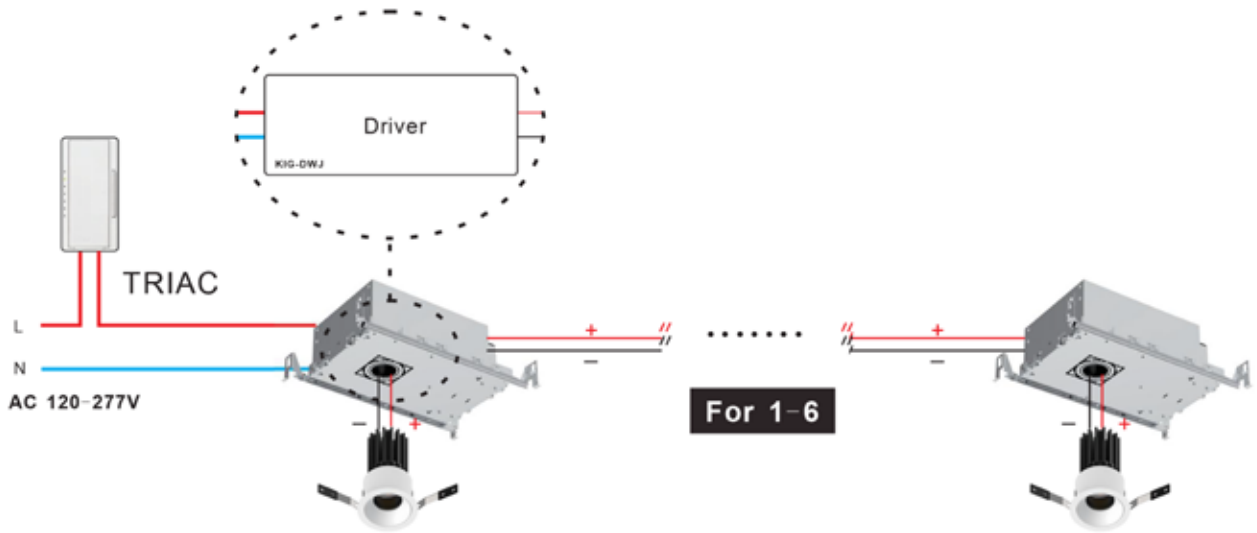
NON-IC Wire Diagram



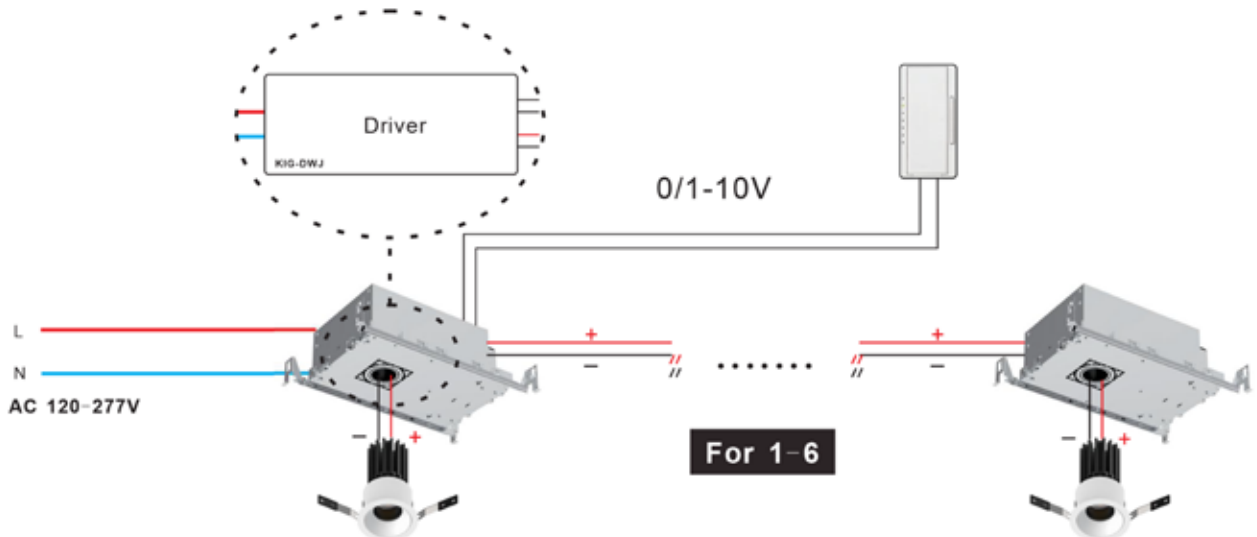
IC Rated Wire Diagram



For 1



For 1-6



For 1-6