



D813-LED

Decorative Outdoor Luminaire

Client: _____
Project Name: _____

Order #: _____
Type: _____ Qty: _____

Performance Data

CRI

70+ (5000K)
80+ (4000K and lower)

CCT

3000K, 3500K, 4000K, 5000K

Projected Lifetime

50,000+ Hours (L70)

Dimming

0-10V Dimming Standard,
100% down to 10%

Operating Temperature

-40°C to +55°C Ambient



5 Yr Warranty	USA Buy American Act Compliant
-------------------------	---

Description

The D813-LED Decorative Outdoor Luminaire sets the standard in flexibility for architectural area lighting. Traditional shape, rugged, heavy-gauge, spun aluminium housing, and fully gasketed for weathertight integrity. Standard finish is dark bronze, but other architectural colors are available. The Decorative Outdoor luminaire offers unparalleled variety in one family of fixtures. Ideal for streets, parking lots, and surrounding areas.

Features

- Housing is heavy duty spun aluminum.
- Standard color is bronze; also available in black and white. Contact factory for custom finishes.
- Type II, III, and V distributions available
- Available as a single, double, triple, or quad head configuration; also available as a wall mount luminaire
- Delivers up to 115 lm/W at 5000K
- Offered in 20W to 200W packages (note that wattage is per head)

D813-LED



Ordering Information

A FIXTURE SERIES

D813-LED Decorative Outdoor Luminaire

B WATTAGE⁴/LUMENS

20	20W/2190 ³
30	30W/3280 ³
40	40W/4370 ³
60	60W/6550 ³
80	80W/8740 ³

C CCT

30	3000K
35	3500K
40	4000K
50	5000K ¹

D VOLTAGE

UNV	120-277V
347	347V
480	480V

E OPTICS

T2	Type 2
T3	Type 3
T4	Type 4
T5	Type 5 ¹

F ARM

See Page 3

G MOUNTING

1	Blank
2	Double
3	Triple
4	Quad
1W	Wall Mount

H POLE OR TENON SIZE

PT	Post Top 2 3/8" Tenon
PT3	Post Top 3" Tenon
PT4	Post Top 4" Tenon

I Finish

BZ	Bronze ¹
BL	Black
WH	White
CU	Custom ²

J OPTION

PC	Photocell
WSF	Wired Single Fuse
WDF	Wired Double Fuse

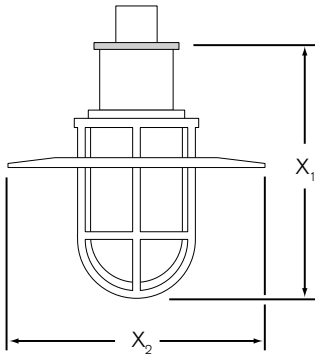
¹ Standard for fixture

² Contact factory for custom finish

³ Delivered Lumens (Per Head -- 5000K Type V Distribution)

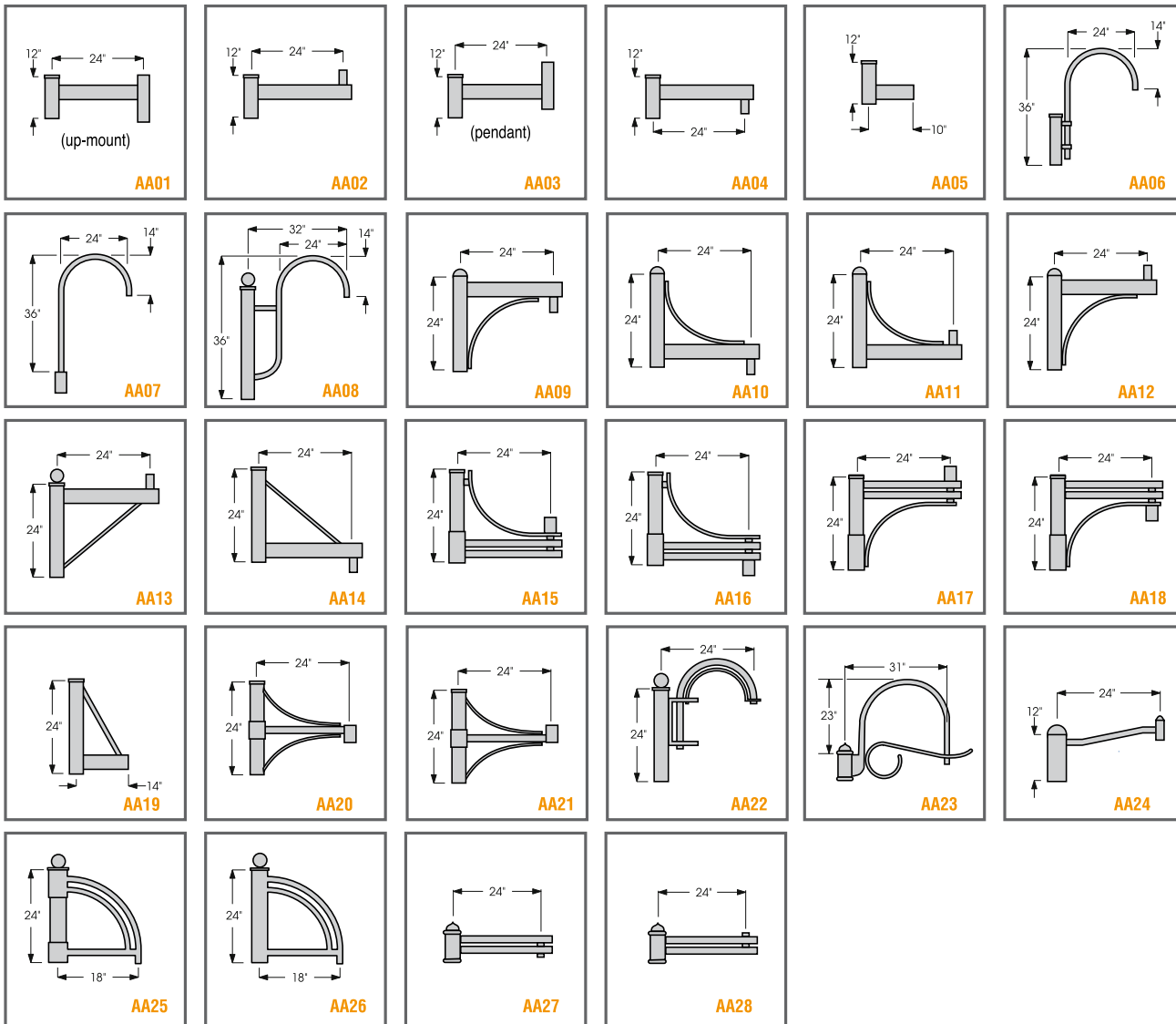
⁴ Wattage is stated per-head. Ex - 120W quad layout is a nominal 480W luminaire

Dimensions



	Inches
X ₁	20
X ₂	16
EPA	2.0

Arm Options



Wall Plate Mounting

