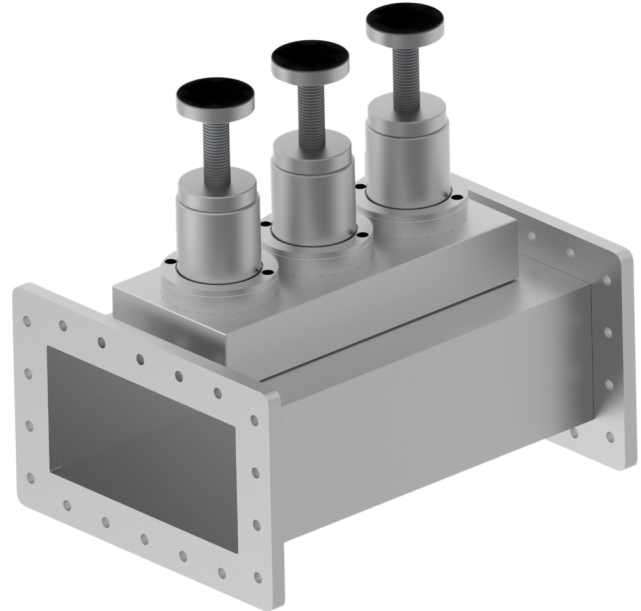


## KEY FEATURES | TECHNICAL DETAILS

- Reduction of VSWR
- Durable design
- Aluminum Waveguide
- Lock disc on the tuning stubs



## SPECIFICATION

### Electrical and Technical Data

Frequency range	900 MHz - 930 MHz
max. Power Handling	100 kW
VSWR	10 : 1
Waveguide flange	CPR975

### Mechanical Data

Dimensions WxHxL	336.6 mm x 421 mm x 438 mm
Weight	20.76 kg

