

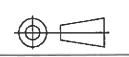
- NOTE:**
- 1) MATERIAL : 2MM EG PLATE W/POWDER COATED RAL 9001.
 - 2) SKID FRAME : MS C-100x50
 - 3) HINGE AND DOOR LOCK DETAILS REFER TO MANUFACTURER DRAWINGS.
 - 4) WELDING LINE TO BE CONTINUOUS SMOOTH, NO BURR NO PORES.
 - 5) ALL THE DOORS AND COVERS SHOULD BE IP55, BS6164.
 - 6) RUBBER GASKET REQUIRED.
 - 7) TRANSFORMER COMPARTMENT TO BE IP5X.


Rutherford
global power
LOT 12, JALAN SILC 1/4, SILC INDUSTRIAL PARK, 78200 NUSAJAYA
 PH: (07) 5090 668/69/70/71 FAX: (07) 5090 665

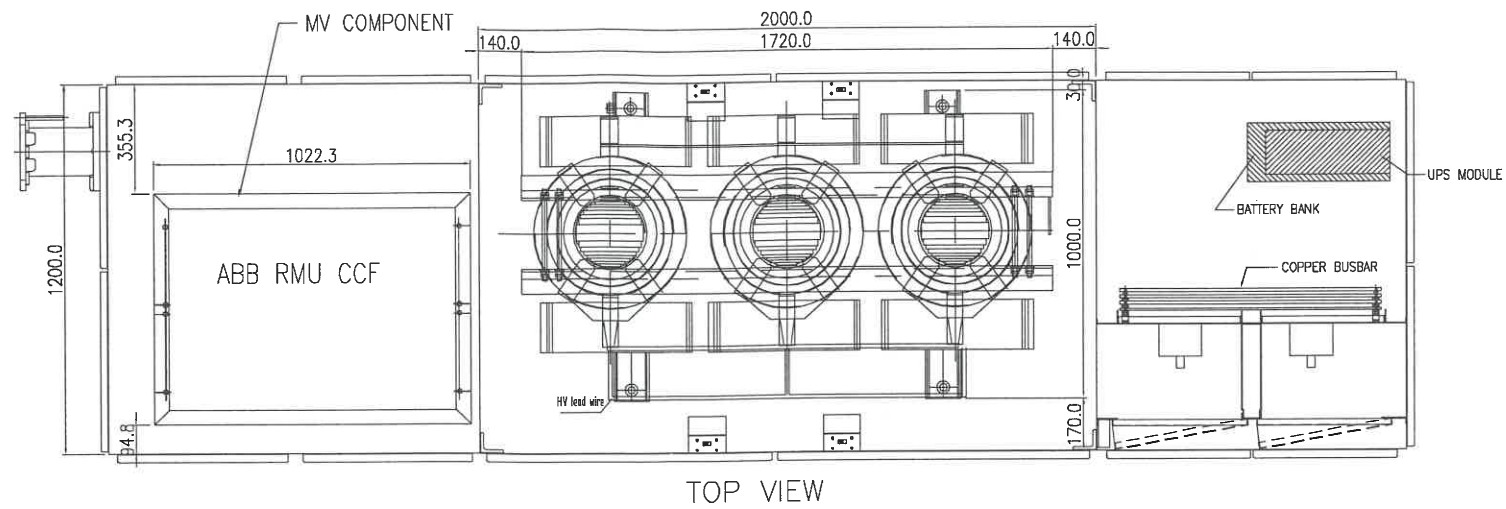
THE INFORMATION CONTAINED IN THIS DOCUMENT IS CONFIDENTIAL AND IS INTENDED FOR THE EXCLUSIVE USE BY RUTHERFORD GLOBAL POWER PRODUCTION. COPYING BY ANY THIRD PARTY IS NOT PERMITTED WITHOUT THE WRITTEN CONSENT OF RUTHERFORD GLOBAL POWER PRODUCTION.

ACTION	BY	DATE
DESIGNED	BANI	04/08/16
DRAWN	BANI	04/08/16
CHECKED	<i>[Signature]</i>	24/10/16
APPROVED	<i>[Signature]</i>	24/10/16
SCALE	NTS	

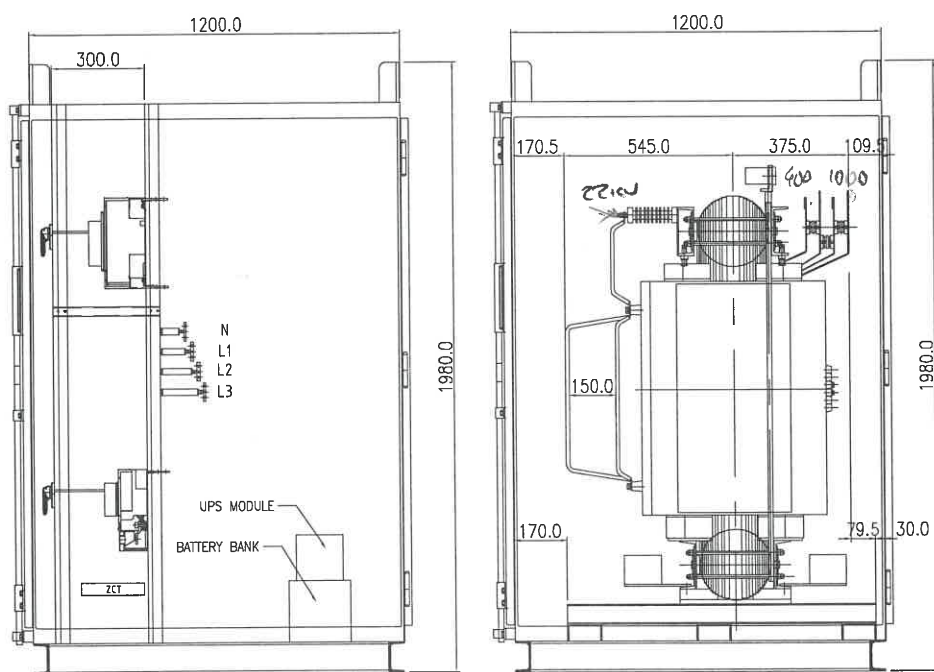
FOLLO LINE PROJECT
COMPACT TUNNEL SUBSTATION
 750kVA, 22kV/1kV-0.4kV Dyn11yn11
 (GENERAL ARRANGEMENT)

DRAWING No.	SHEET
M-1011-01	01
DO NOT SCALE	REV 0
	A3
DIMENSIONS IN MILLIMETRES	

REV	DATE	DESCRIPTION	DRN	CHKD	APPR
0	24/10/16	AS-BUILT	BANI	FARHAN	ZHD

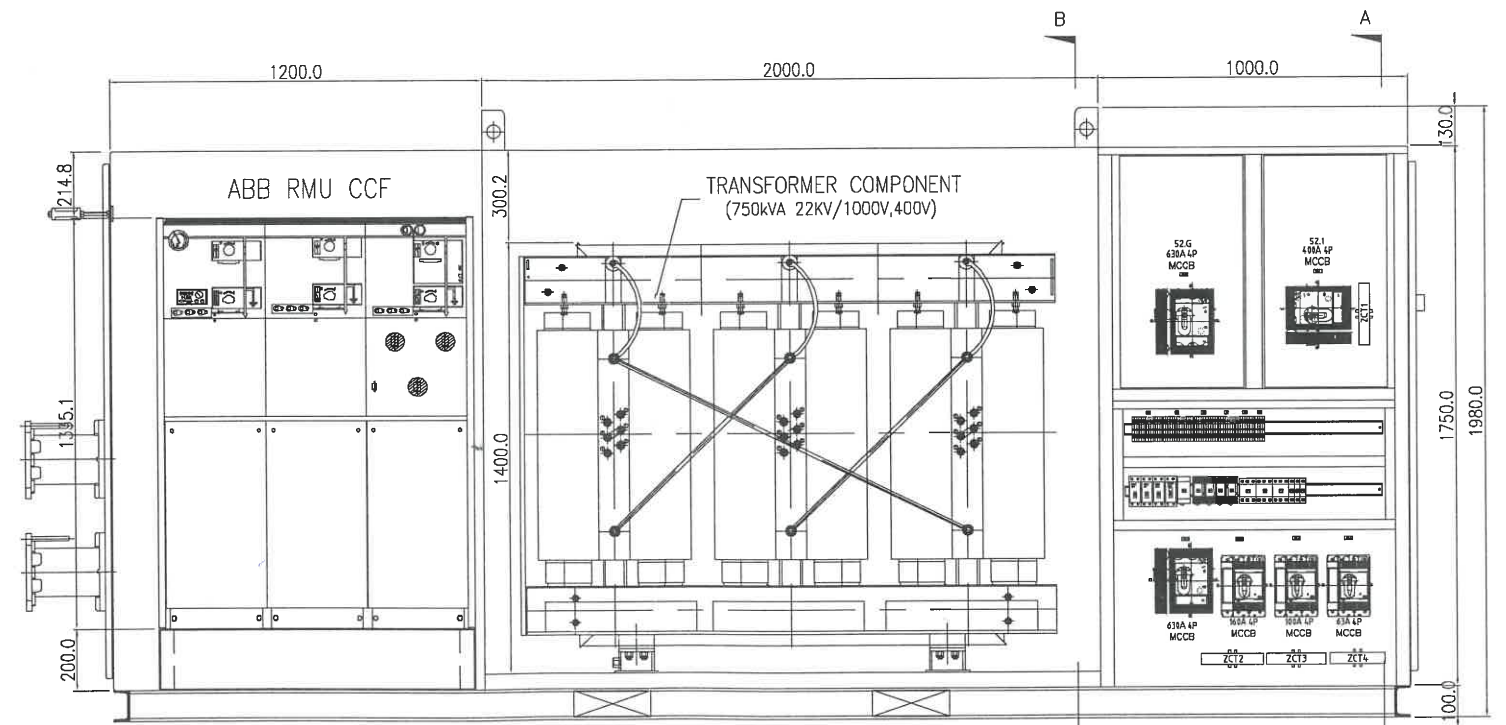


MV COMPARTMENT TRANSFORMER COMPARTMENT LV COMPARTMENT

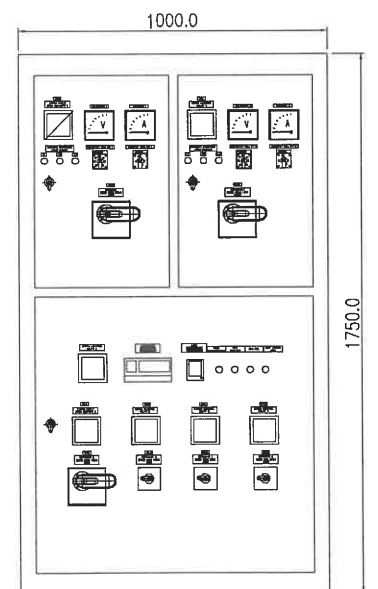


SECTION A-A
(LV SIDE INTERNAL VIEW)

SECTION B-B
(TX SIDE INTERNAL VIEW)



FRONT VIEW



FRONT VIEW
(LV INTERNAL DOOR)

REV	DATE	DESCRIPTION	DRN	CHKD	APPR
0	24/10/16	AS-BUILT	BANI	FARHAN	ZHD

Rutherford
global power
LOT 12, JALAN SILC 14, SILC INDUSTRIAL PARK, 79200 NUSAJAYA
PH: (07) 5090 668/69/70/71 FAX: (07) 5090 665

THE INFORMATION CONTAINED IN THIS DOCUMENT IS CONFIDENTIAL AND IS INTENDED FOR THE EXCLUSIVE USE BY RUTHERFORD GLOBAL POWER PRODUCTION. COPYING BY ANY THIRD PARTY IS NOT PERMITTED WITHOUT THE WRITTEN CONSENT OF RUTHERFORD GLOBAL POWER PRODUCTION.

ACTION	BY	DATE
DESIGNED	BANI	04/08/16
DRAWN	BANI	04/08/16
CHECKED	<i>[Signature]</i>	24/10/16
APPROVED	<i>[Signature]</i>	24/10/16
SCALE	NTS	

FOLLO LINE PROJECT
COMPACT TUNNEL SUBSTATION
750kVA, 22kV/1kV-0.4kV Dyn11yn11
(INTERNAL ARRANGEMENT)

MODEL CTS750KVA22KV1KV400V

DRAWING No.	SHEET
M-1011-01	02
DO NOT SCALE	REV 0
DIMENSIONS IN MILLIMETRES	A3

REV	DATE	DESCRIPTION	DRN	CHKD	APPR
0	24-10-16	AS-BUILT	RMS	FARHAN	ZHD

THE INFORMATION CONTAINED IN THIS DOCUMENT IS CONFIDENTIAL AND IS INTENDED FOR THE EXCLUSIVE USE BY RUTHERFORD GLOBAL POWER. COPYING BY ANY THIRD PARTY IS NOT PERMITTED WITHOUT THE WRITTEN CONSENT OF RUTHERFORD GLOBAL POWER.

PH: (07) 5090 668/69/70/71 FAX: (07) 5090 665

LOT 12, JALAN SILC 1/4, SILC INDUSTRIAL PARK, 79200 NUSAJAYA

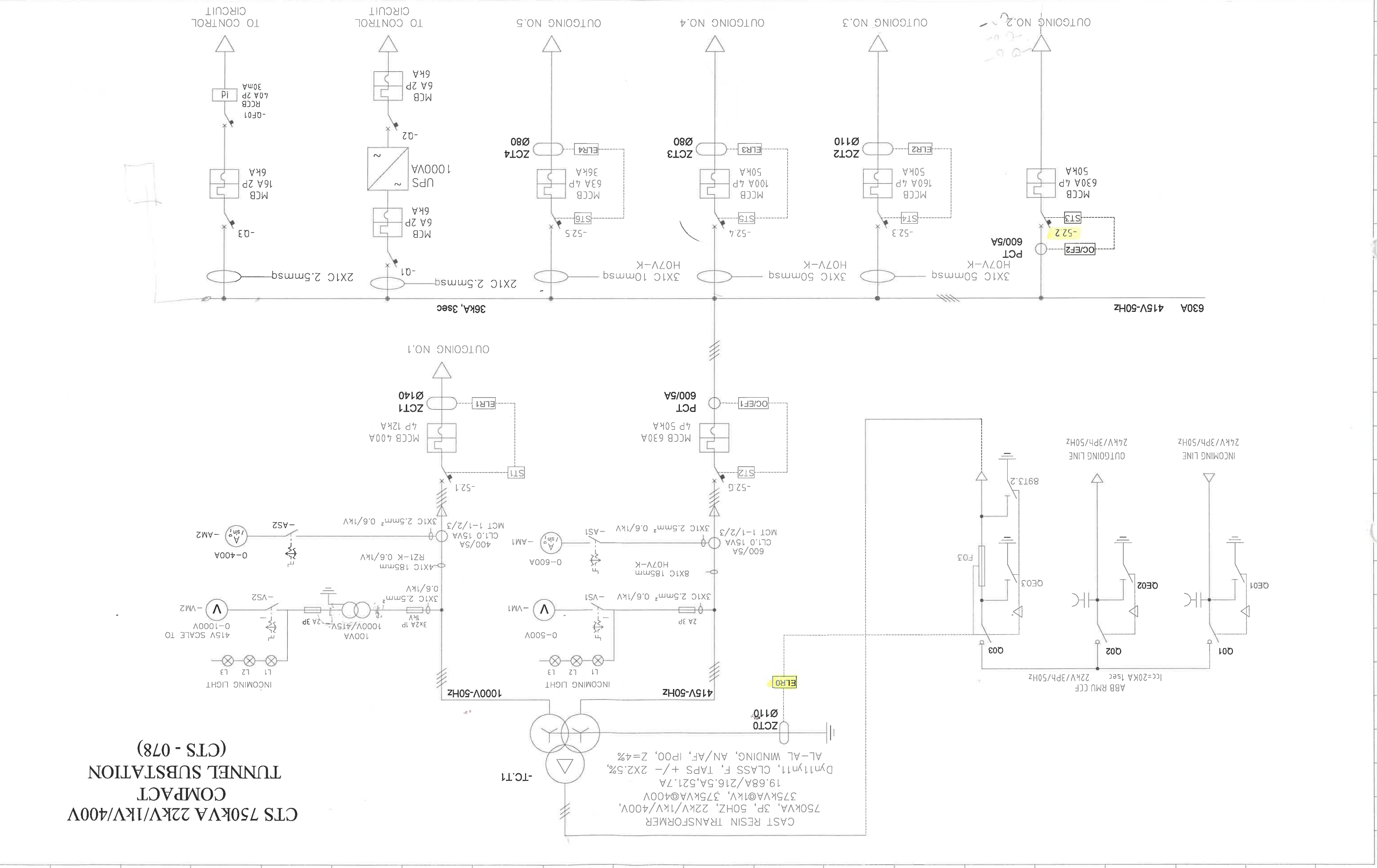


Rutherford
global power

ACTION	BY	DATE
DESIGNED	ZHD	29-07-16
DRAWN	RMS	29-07-06
CHECKED		
APPROVED		

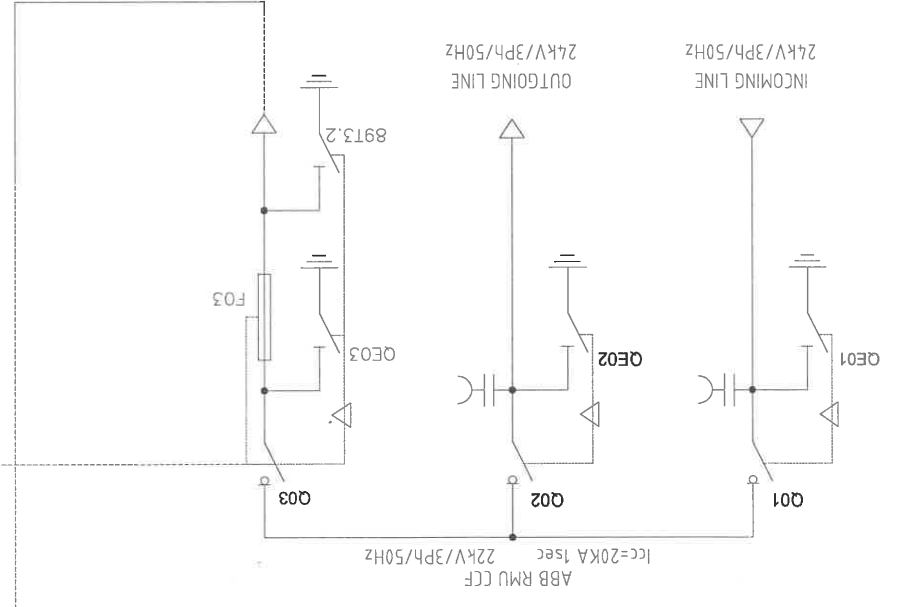
FOLLO LINE PROJECT
COMPACT TUNNEL SUBSTATION
750kVA, 22kV/1kV-0.4kV Dyn11yn11

MODEL	NTS	SCALE
CTS750kVA22kV/1kV400V		



**CTS 750kVA 22kV/1kV/400V
COMPACT
TUNNEL SUBSTATION (CTS - 078)**

CAST RESIN TRANSFORMER
750kVA, 3P, 50HZ, 22kV/1kV/400V,
375kVA@1kV, 375kVA@400V
19.68A/216.5A, 5.21.7A
Dyn11yn11, CLASS F, TAPS +/- 2X2.5%,
AL-AL WINDING, AN/AF, IP00, Z=4%



Z
Y
X
W
V
U
T
S
R
Q
P
O
N
M
L
K
J
I
H
G
F
E
D
C
B
A

1
2
3
4
5
6
7
8
9
10
11
12
13
14
15
16
17
18
19
20

REV	DATE	DESCRIPTION	DRN	CHKD	APPR
0	24-10-16	AS-BUILT	RMS	FARHAN	ZHD

THE INFORMATION CONTAINED IN THIS DOCUMENT IS CONFIDENTIAL AND IS INTENDED FOR THE EXCLUSIVE USE BY RUTHERFORD GLOBAL POWER. COPYING BY ANY THIRD PARTY IS NOT PERMITTED WITHOUT THE WRITTEN CONSENT OF RUTHERFORD GLOBAL POWER.

LOT 12, JALAN SILC 1/4, SILC INDUSTRIAL PARK, 79200 NUSAJAYA
 PH: (07) 5090 665/69/70/71 FAX: (07) 5090 665

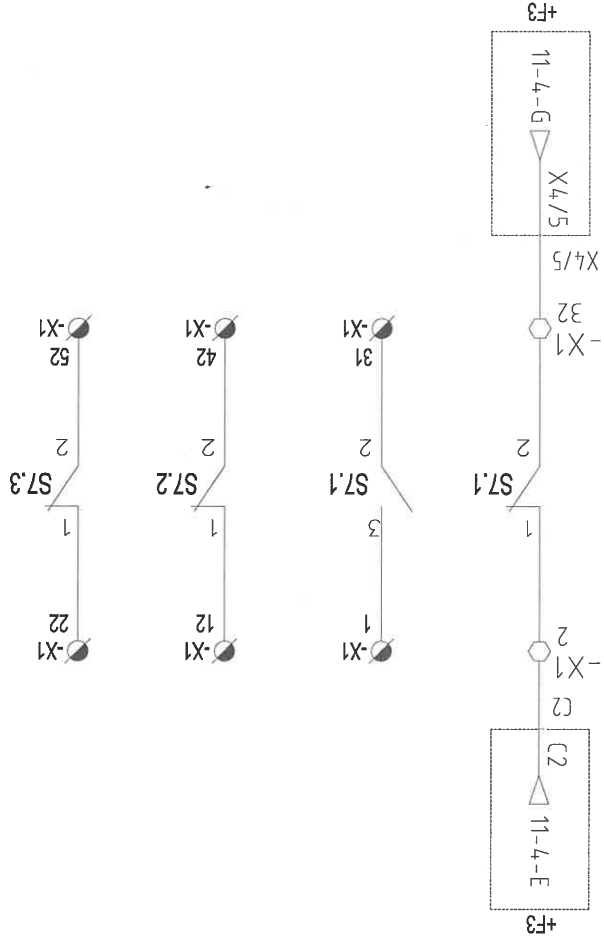
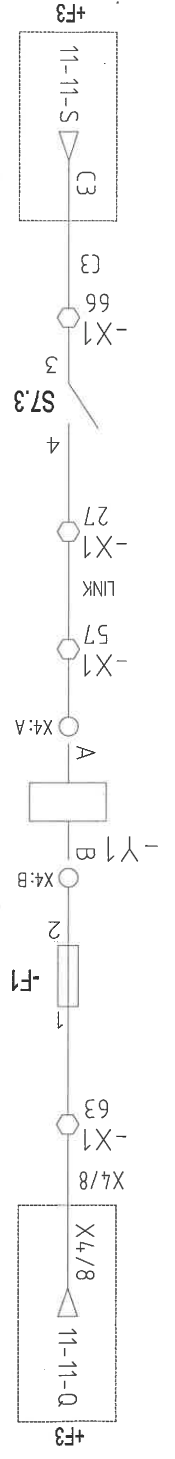
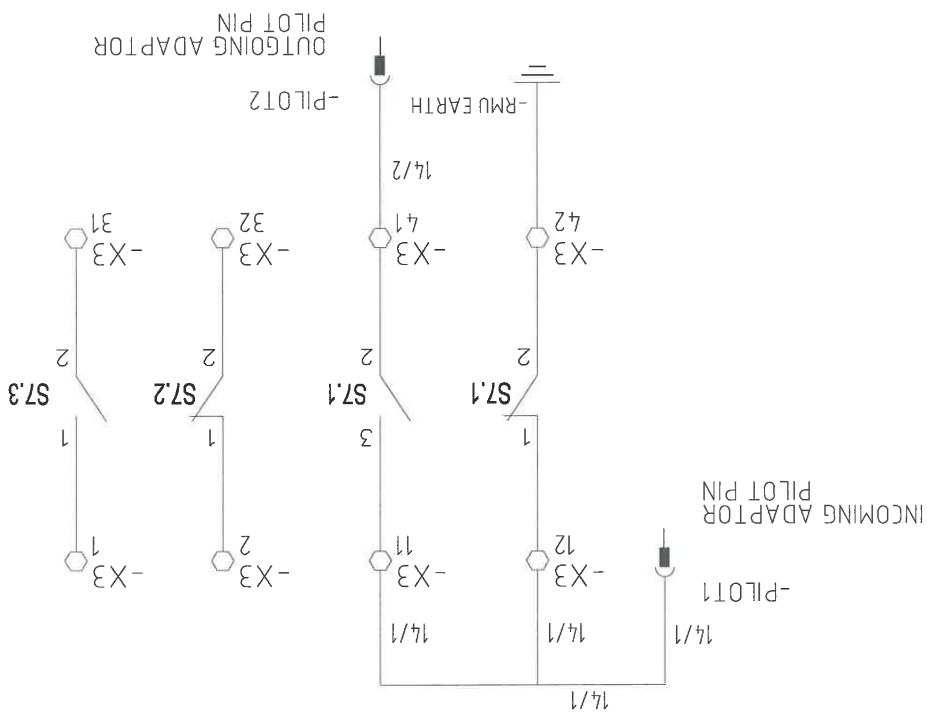


Rutherford
 global power

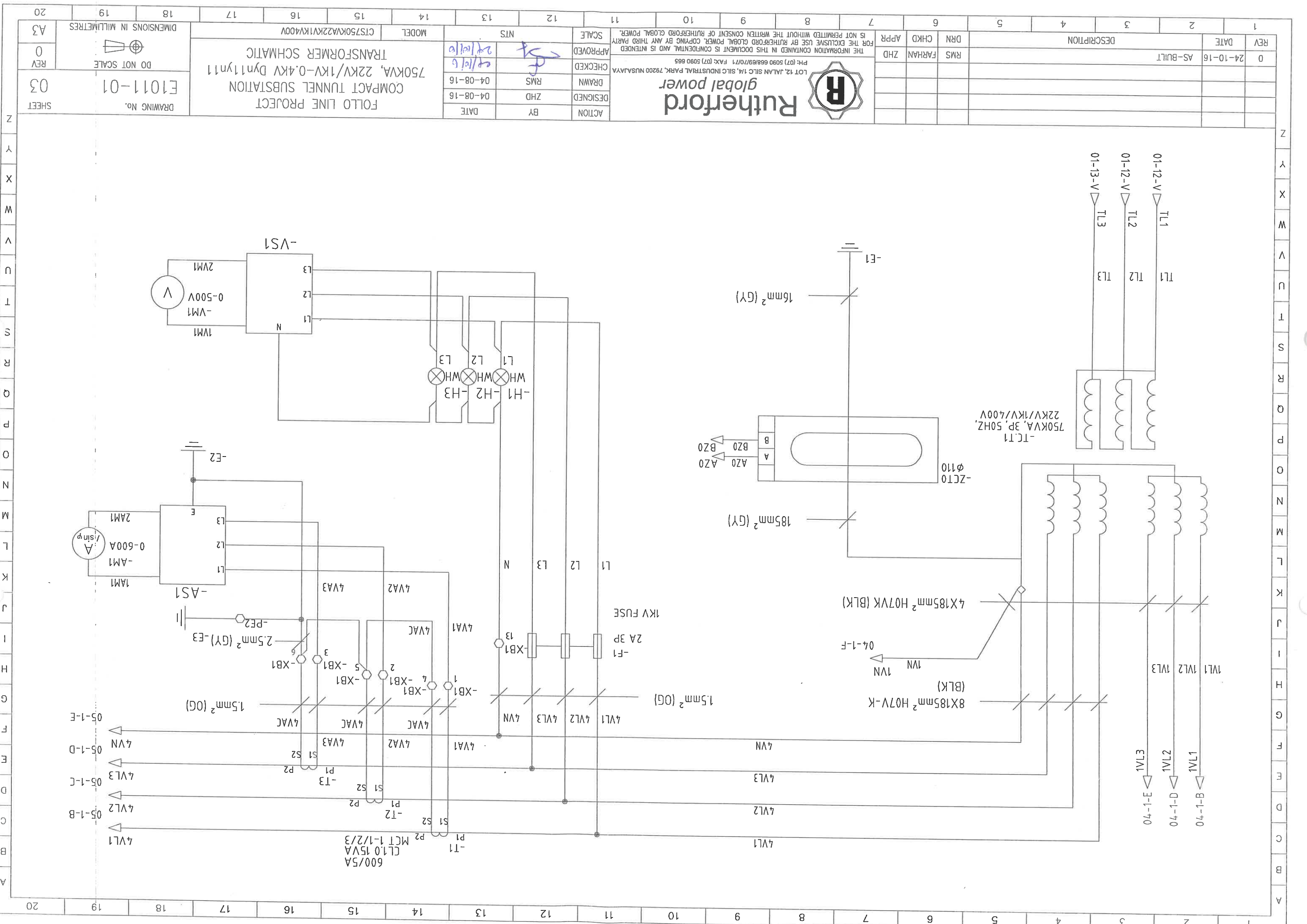
ACTION	BY	DATE
DESIGNED	ZHD	04-08-16
DRAWN	RMS	04-08-16
CHECKED	<i>[Signature]</i>	2x/10/16
APPROVED	<i>[Signature]</i>	2x/10/16

FOLLO LINE PROJECT
 COMPACT TUNNEL SUBSTATION
 750KVA, 22KV/1KV-0.4KV Dyn11yn11
 RMU SCHEMATIC

DRAWING No. E1011-01
 SHEET 02
 DO NOT SCALE
 DIMENSIONS IN MILLIMETRES



A B C D E F G H I J K L M N O P Q R S T U V W X Y Z



REV	0	DATE	24-10-16	DESCRIPTION	AS-BUILT
APPD	ZHD	CHKD	FARHAN	DRN	RMS
THE INFORMATION CONTAINED IN THIS DOCUMENT IS CONFIDENTIAL AND IS INTENDED FOR THE EXCLUSIVE USE BY RUTHERFORD GLOBAL POWER. COPYING BY ANY THIRD PARTY IS NOT PERMITTED WITHOUT THE WRITTEN CONSENT OF RUTHERFORD GLOBAL POWER.					
LOT 12, JALAN SILC 1/4, SILC INDUSTRIAL PARK, 79200 NUSAJAYA PH: (07) 5090 6686/7071 FAX: (07) 5090 665					
ACTION	BY	DATE	04-08-16	DESIGNED	ZHD
CHECKED	RMS	DATE	04-08-16	DRAWN	RMS
APPROVED	24/10/16	DATE	24/10/16	NTS	
SCALE		MODEL	CTS750KVA22KV1KV400V		
FOLLO LINE PROJECT COMPACT TUNNEL SUBSTATION 750KVA, 22KV/1KV-0.4KV Dyn11yn11 TRANSFORMER SCHEMATIC					
DIMENSIONS IN MILLIMETRES DO NOT SCALE E1011-01 DRAWING No.					
REV	0	SHEET			



Z
Y
X
W
V
U
T
S
R
Q
P
O
N
M
L
K
J
I
H
G
F
E
D
C
B
A

Z
Y
X
W
V
U
T
S
R
Q
P
O
N
M
L
K
J
I
H
G
F
E
D
C
B
A

20 19 18 17 16 15 14 13 12 11 10 9 8 7 6 5 4 3 2 1

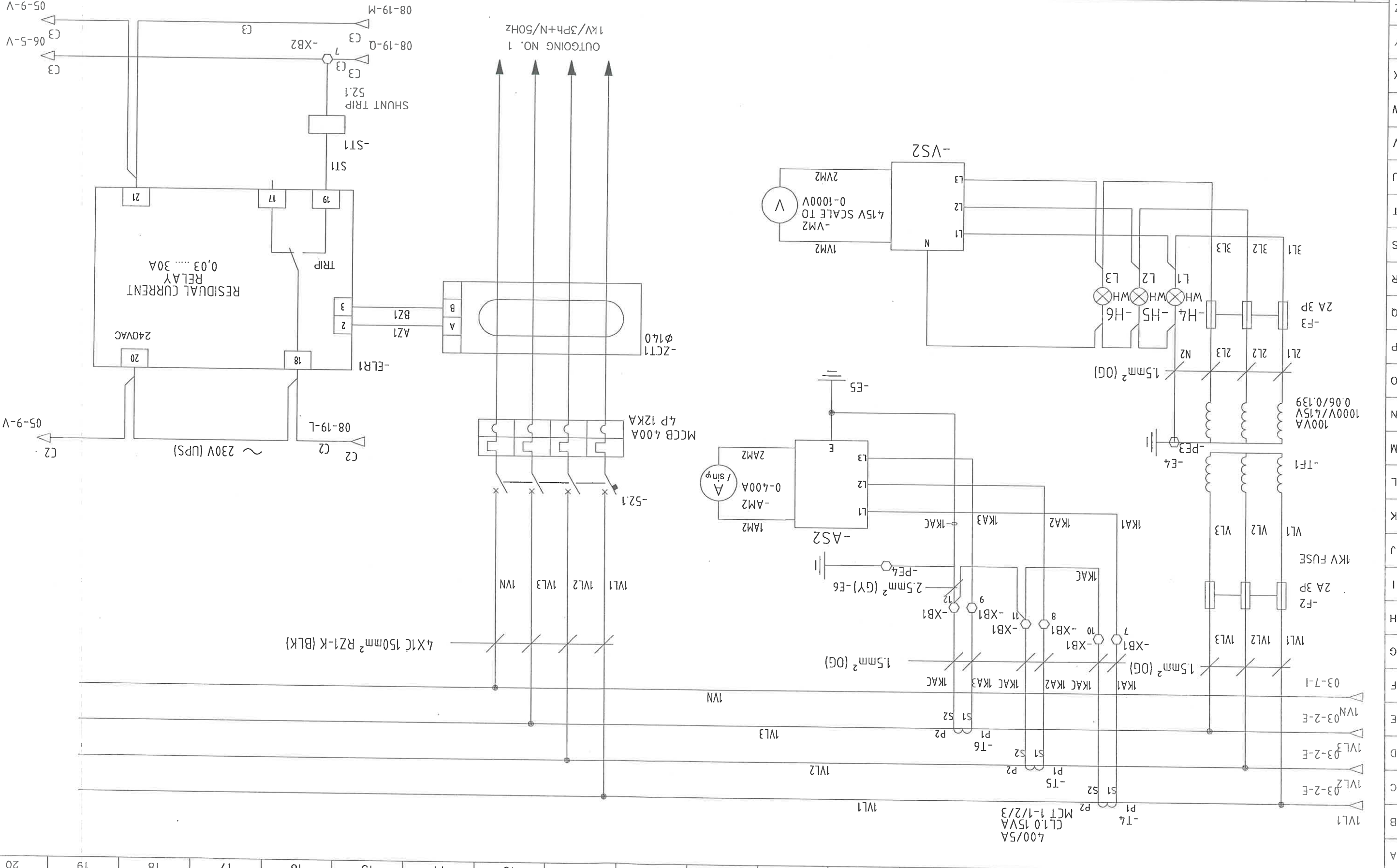
REV	DATE	DESCRIPTION	APPR	CHKD	DRN	RMS	FARHAN	ZHD
0	24-10-16	AS-BUILT						

THE INFORMATION CONTAINED IN THIS DOCUMENT IS CONFIDENTIAL AND IS INTENDED FOR THE EXCLUSIVE USE BY RUTHERFORD GLOBAL POWER. COPYING BY ANY THIRD PARTY IS NOT PERMITTED WITHOUT THE WRITTEN CONSENT OF RUTHERFORD GLOBAL POWER.
 LOT 12, JALAN SILC 1/4, SILC INDUSTRIAL PARK, 79200 NUSAJAYA
 Pht: (07) 5090 6585/0771 Fax: (07) 5090 655
Rutherford
 global power

ACTION	BY	DATE
DESIGNED	ZHD	04-08-16
DRAWN	RMS	04-08-16
CHECKED		
APPROVED		

FOLLO LINE PROJECT
 COMPACT TUNNEL SUBSTATION
 750KVA, 22KV/1KV-0.4KV Dyn11yn11
 OUTGOING 1 (1KV)
 MODEL CTS750KVA22KV1KV400V

SHEET	DRAWING No.	DO NOT SCALE	REV	SCALE
04	E1011-01		0	A3



Z
Y
X
W
V
U
T
S
R
Q
P
O
N
M
L
K
J
I
H
G
F
E
D
C
B
A

20 19 18 17 16 15 14 13 12 11 10 9 8 7 6 5 4 3 2 1

REV	DATE	DESCRIPTION	DRN	CHKD	APPR
0	24-10-16	AS-BUILT	RMS	FARHAN	ZHD

THE INFORMATION CONTAINED IN THIS DOCUMENT IS CONFIDENTIAL AND IS INTENDED FOR THE EXCLUSIVE USE BY RUTHERFORD GLOBAL POWER. COPYING BY ANY THIRD PARTY IS NOT PERMITTED WITHOUT THE WRITTEN CONSENT OF RUTHERFORD GLOBAL POWER.

Rutherford
global power

LOT 12, JALAN SILC 1/4, SILC INDUSTRIAL PARK, 79200 NUSAJAYA
PH: (07) 5090 868/89/70/71 FAX: (07) 5090 885

ACTION	BY	DATE
DESIGNED	ZHD	04-08-16
DRAWN	RMS	04-08-16
CHECKED	<i>[Signature]</i>	24/10/16
APPROVED	<i>[Signature]</i>	24/10/16

MODEL	NTS	SCALE
CTS750KVA22KV1KV400V		

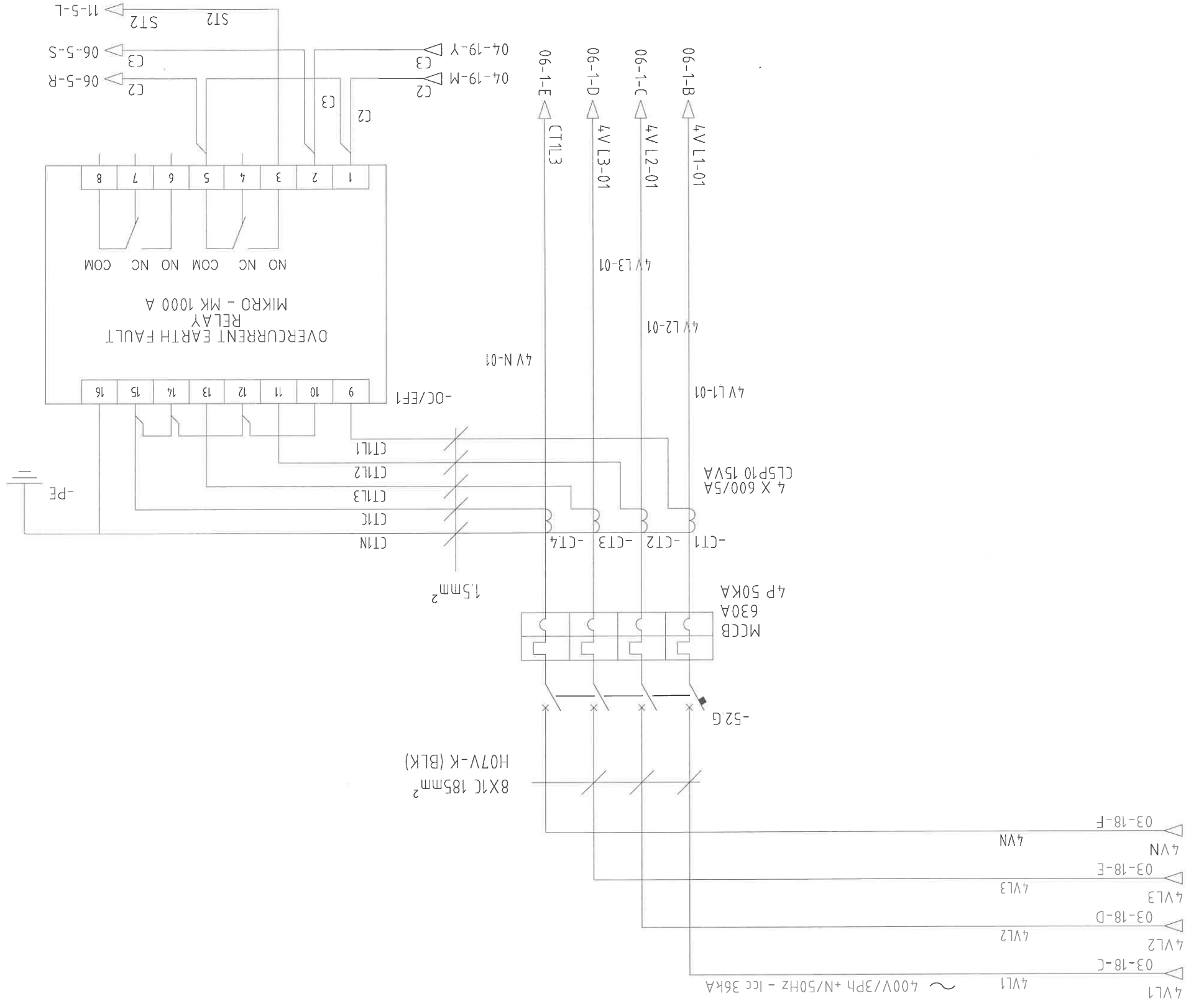
FOLLO LINE PROJECT
COMPACT TUNNEL SUBSTATION
INCOMING 400V

DRAWING No. E1011-01
SHEET 05

DO NOT SCALE

DIMENSIONS IN MILLIMETRES

REV 0
A3



Z
Y
X
W
V
U
T
S
R
Q
P
O
N
M
L
K
J
I
H
G
F
E
D
C
B
A

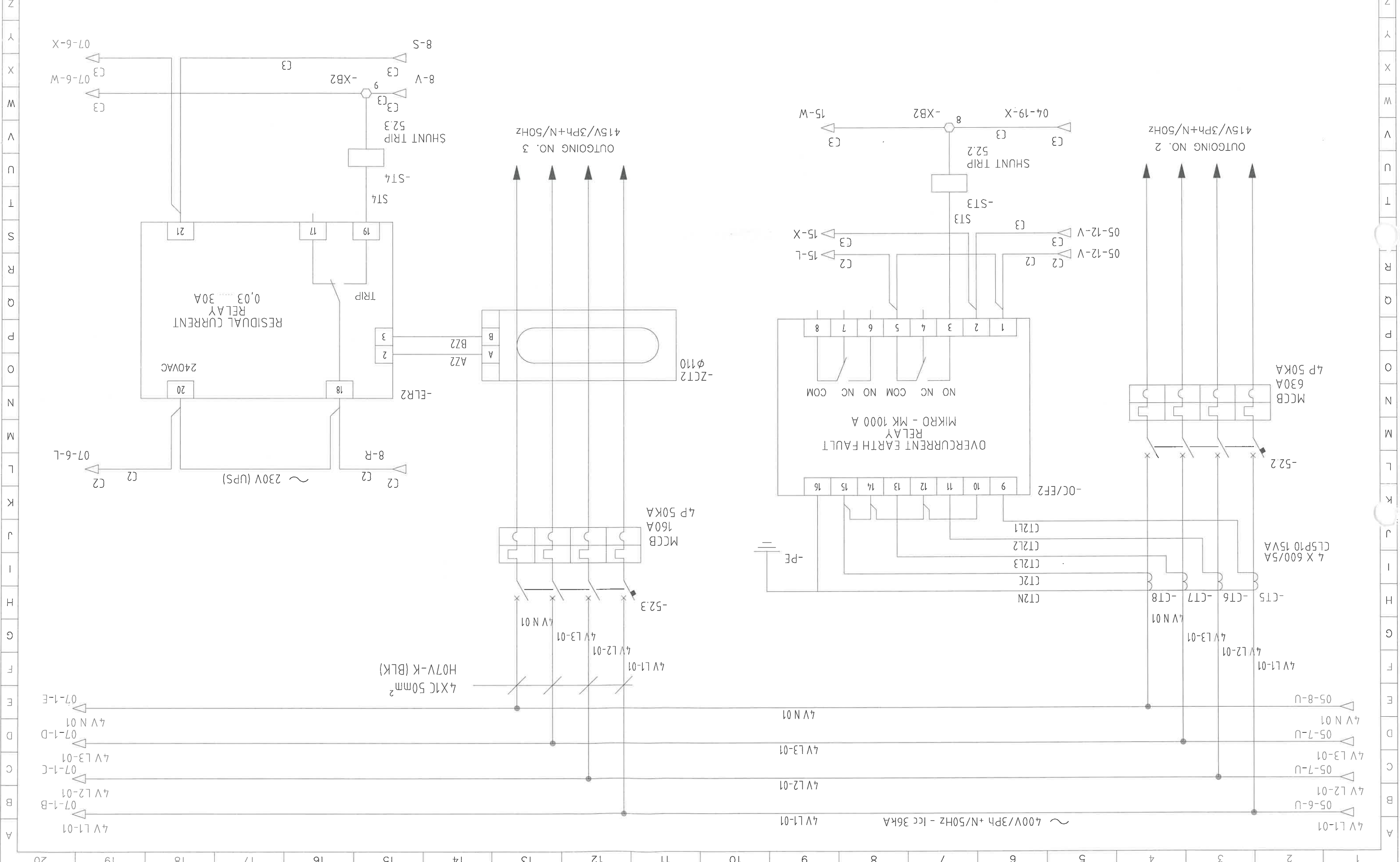
1
2
3
4
5
6
7
8
9
10
11
12
13
14
15
16
17
18
19
20

REV	DATE	DESCRIPTION	DRN	CHKD	APPR	THE INFORMATION CONTAINED IN THIS DOCUMENT IS CONFIDENTIAL AND IS INTENDED FOR THE EXCLUSIVE USE BY RUTHERFORD GLOBAL POWER. COPYING BY ANY THIRD PARTY IS NOT PERMITTED WITHOUT THE WRITTEN CONSENT OF RUTHERFORD GLOBAL POWER.	SCALE	NTS	MODEL	CT5750KVA22KV1KV400V	DIMENSIONS IN MILLIMETRES	A3
0	24-10-16	AS-BUILT	RMS	FARHAN	ZHD	PH: (07) 5090 668/69/70/71 FAX: (07) 5090 665	APPROVED	<i>[Signature]</i>			DO NOT SCALE	0
						LOT 12, JALAN SILC 1/4, SILC INDUSTRIAL PARK, 79200 NUSAJAYA	CHECKED	<i>[Signature]</i>				06
							DRAWN	RMS	04-08-16			
							DESIGNED	ZHD	04-08-16			
							ACTION	DATE				



Rutherford
global power

FOLLO LINE PROJECT
COMPACT TUNNEL SUBSTATION
750KVA, 22KV/1KV-0.4KV Dyn11yn11
OUTGOING 2&3 (400V)



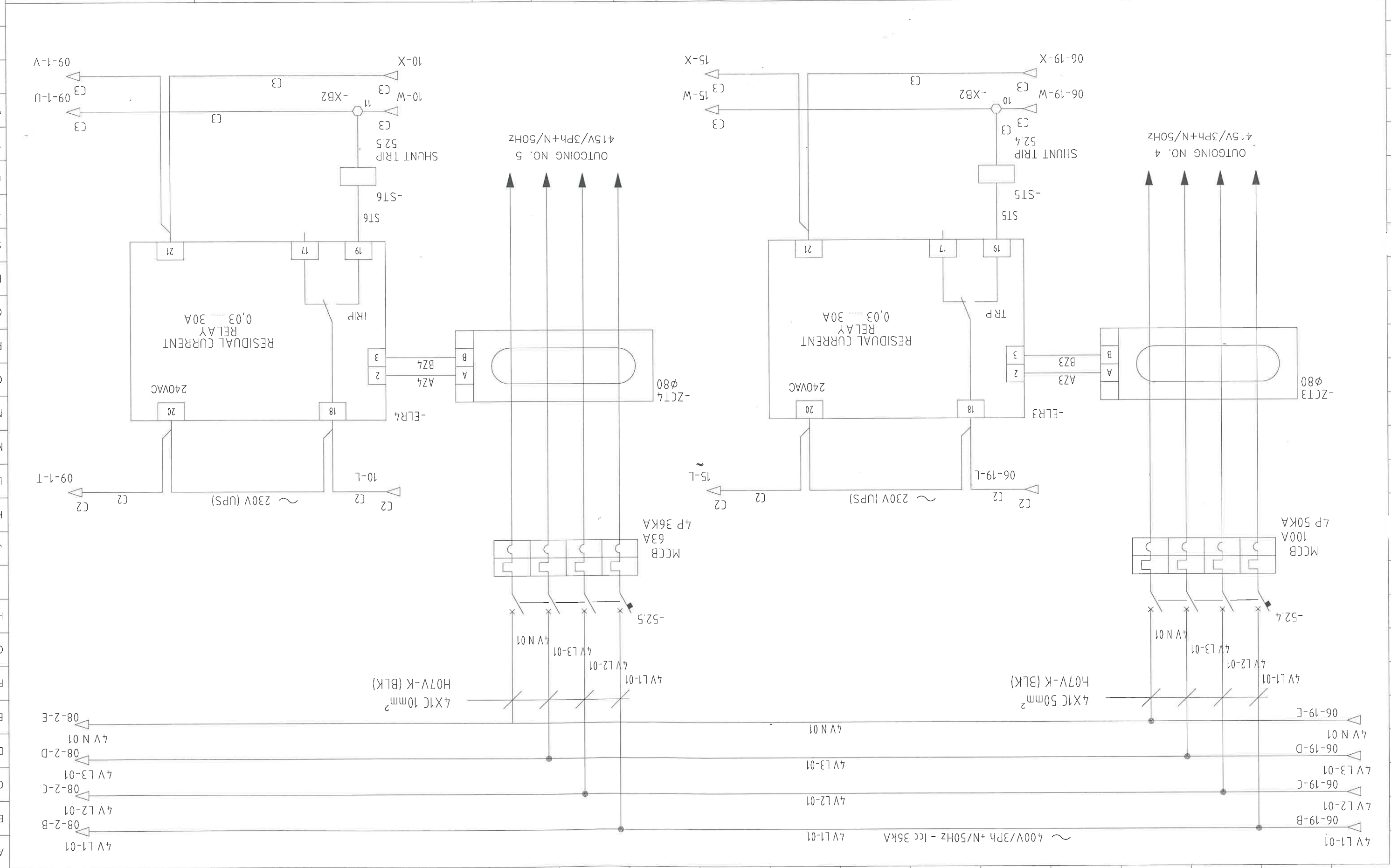
REV	DATE	DESCRIPTION	DRN	CHKD	APPR
0	24-10-16	AS-BUILT	RMS	FARHAN	ZHD

ACTION	BY	DATE
DESIGNED	ZHD	04-08-16
DRAWN	RMS	04-08-16
CHECKED		24/10/16
APPROVED		24/10/16

MODEL	NTS	SCALE
CTS750KVA22KV1KV400V		

DRAWING No.	SHEET
E1011-01	07

Rutherford
 global power
 LOT 12, JALAN SILC 1/4, SILC INDUSTRIAL PARK, 79200 NUSAJAYA
 PH: (07) 5090 668/69/70/71 FAX: (07) 5090 665
 THE INFORMATION CONTAINED IN THIS DOCUMENT IS CONFIDENTIAL AND IS INTENDED FOR THE EXCLUSIVE USE BY RUTHERFORD GLOBAL POWER. COPYING BY ANY THIRD PARTY IS NOT PERMITTED WITHOUT THE WRITTEN CONSENT OF RUTHERFORD GLOBAL POWER.



Z
Y
X
W
V
U
T
S
R
Q
P
O
N
M
L
K
J
I
H
G
F
E
D
C
B
A

Z
Y
X
W
V
U
T
S
R
Q
P
O
N
M
L
K
J
I
H
G
F
E
D
C
B
A

20 19 18 17 16 15 14 13 12 11 10 9 8 7 6 5 4 3 2 1

20 19 18 17 16 15 14 13 12 11 10 9 8 7 6 5 4 3 2 1

20 19 18 17 16 15 14 13 12 11 10 9 8 7 6 5 4 3 2 1

20 19 18 17 16 15 14 13 12 11 10 9 8 7 6 5 4 3 2 1

20 19 18 17 16 15 14 13 12 11 10 9 8 7 6 5 4 3 2 1

20 19 18 17 16 15 14 13 12 11 10 9 8 7 6 5 4 3 2 1

20 19 18 17 16 15 14 13 12 11 10 9 8 7 6 5 4 3 2 1

20 19 18 17 16 15 14 13 12 11 10 9 8 7 6 5 4 3 2 1

20 19 18 17 16 15 14 13 12 11 10 9 8 7 6 5 4 3 2 1

20 19 18 17 16 15 14 13 12 11 10 9 8 7 6 5 4 3 2 1

20 19 18 17 16 15 14 13 12 11 10 9 8 7 6 5 4 3 2 1

20 19 18 17 16 15 14 13 12 11 10 9 8 7 6 5 4 3 2 1

20 19 18 17 16 15 14 13 12 11 10 9 8 7 6 5 4 3 2 1

20 19 18 17 16 15 14 13 12 11 10 9 8 7 6 5 4 3 2 1

20 19 18 17 16 15 14 13 12 11 10 9 8 7 6 5 4 3 2 1

20 19 18 17 16 15 14 13 12 11 10 9 8 7 6 5 4 3 2 1

20 19 18 17 16 15 14 13 12 11 10 9 8 7 6 5 4 3 2 1

20 19 18 17 16 15 14 13 12 11 10 9 8 7 6 5 4 3 2 1

20 19 18 17 16 15 14 13 12 11 10 9 8 7 6 5 4 3 2 1

20 19 18 17 16 15 14 13 12 11 10 9 8 7 6 5 4 3 2 1

20 19 18 17 16 15 14 13 12 11 10 9 8 7 6 5 4 3 2 1

20 19 18 17 16 15 14 13 12 11 10 9 8 7 6 5 4 3 2 1

20 19 18 17 16 15 14 13 12 11 10 9 8 7 6 5 4 3 2 1

20 19 18 17 16 15 14 13 12 11 10 9 8 7 6 5 4 3 2 1

20 19 18 17 16 15 14 13 12 11 10 9 8 7 6 5 4 3 2 1

20 19 18 17 16 15 14 13 12 11 10 9 8 7 6 5 4 3 2 1

20 19 18 17 16 15 14 13 12 11 10 9 8 7 6 5 4 3 2 1

20 19 18 17 16 15 14 13 12 11 10 9 8 7 6 5 4 3 2 1

20 19 18 17 16 15 14 13 12 11 10 9 8 7 6 5 4 3 2 1

20 19 18 17 16 15 14 13 12 11 10 9 8 7 6 5 4 3 2 1

20 19 18 17 16 15 14 13 12 11 10 9 8 7 6 5 4 3 2 1

20 19 18 17 16 15 14 13 12 11 10 9 8 7 6 5 4 3 2 1

20 19 18 17 16 15 14 13 12 11 10 9 8 7 6 5 4 3 2 1

20 19 18 17 16 15 14 13 12 11 10 9 8 7 6 5 4 3 2 1

20 19 18 17 16 15 14 13 12 11 10 9 8 7 6 5 4 3 2 1

20 19 18 17 16 15 14 13 12 11 10 9 8 7 6 5 4 3 2 1

20 19 18 17 16 15 14 13 12 11 10 9 8 7 6 5 4 3 2 1

20 19 18 17 16 15 14 13 12 11 10 9 8 7 6 5 4 3 2 1

20 19 18 17 16 15 14 13 12 11 10 9 8 7 6 5 4 3 2 1

20 19 18 17 16 15 14 13 12 11 10 9 8 7 6 5 4 3 2 1

20 19 18 17 16 15 14 13 12 11 10 9 8 7 6 5 4 3 2 1

20 19 18 17 16 15 14 13 12 11 10 9 8 7 6 5 4 3 2 1

20 19 18 17 16 15 14 13 12 11 10 9 8 7 6 5 4 3 2 1

20 19 18 17 16 15 14 13 12 11 10 9 8 7 6 5 4 3 2 1

20 19 18 17 16 15 14 13 12 11 10 9 8 7 6 5 4 3 2 1

20 19 18 17 16 15 14 13 12 11 10 9 8 7 6 5 4 3 2 1

20 19 18 17 16 15 14 13 12 11 10 9 8 7 6 5 4 3 2 1

20 19 18 17 16 15 14 13 12 11 10 9 8 7 6 5 4 3 2 1

20 19 18 17 16 15 14 13 12 11 10 9 8 7 6 5 4 3 2 1


20 19 18 17 16 15 14 13 12 11 10 9 8 7 6 5 4 3 2 1

REV	DATE	DESCRIPTION	DRN	CHKD	APPR
0	24-10-16	AS-BUILT	RMS	FARHAN	ZHD

ACTION	BY	DATE
DESIGNED	ZHD	04-08-16
DRAWN	RMS	04-08-16
CHECKED	<i>ZHD</i>	<i>24/10/16</i>
APPROVED	<i>ZHD</i>	<i>24/10/16</i>

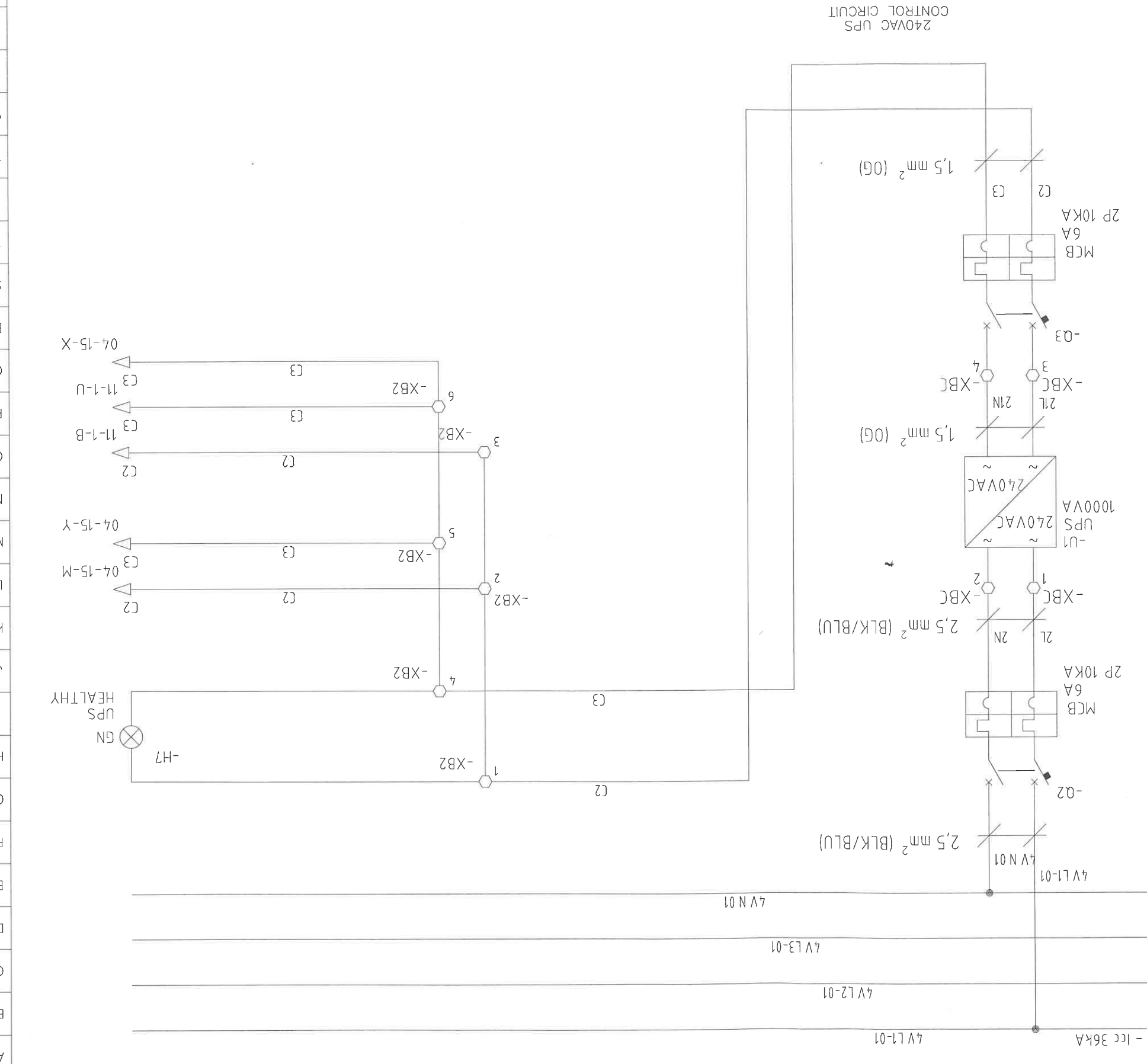
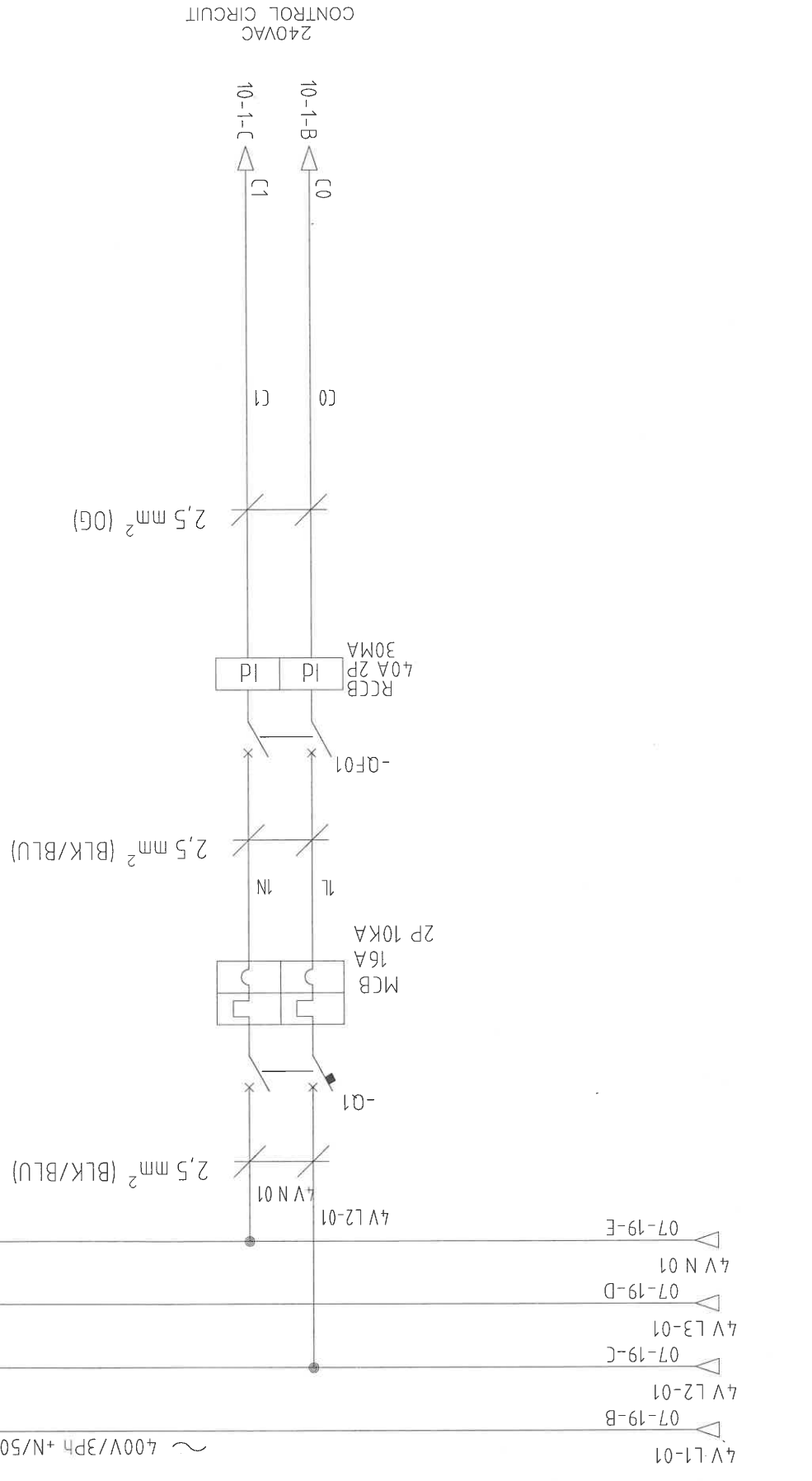
MODEL	NTS	SCALE
CTS750KVA22KV1KV400V		

DRAWING No.	SHEET
E1011-01	08



Rutherford
global power

LOT 12, JALAN SILC 1/4, SILC INDUSTRIAL PARK, 79200 NUSAJAYA
 PH: (07) 5090 668/69/70/71 FAX: (07) 5090 665
 THE INFORMATION CONTAINED IN THIS DOCUMENT IS CONFIDENTIAL AND IS INTENDED FOR THE EXCLUSIVE USE BY RUTHERFORD GLOBAL POWER. COPYING BY ANY THIRD PARTY IS NOT PERMITTED WITHOUT THE WRITTEN CONSENT OF RUTHERFORD GLOBAL POWER.



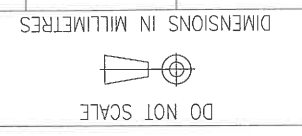
Z
Y
X
W
V
U
T
S
R
Q
P
O
N
M
L
K
J
I
H
G
F
E
D
C
B
A

Z
Y
X
W
V
U
T
S
R
Q
P
O
N
M
L
K
J
I
H
G
F
E
D
C
B
A

20

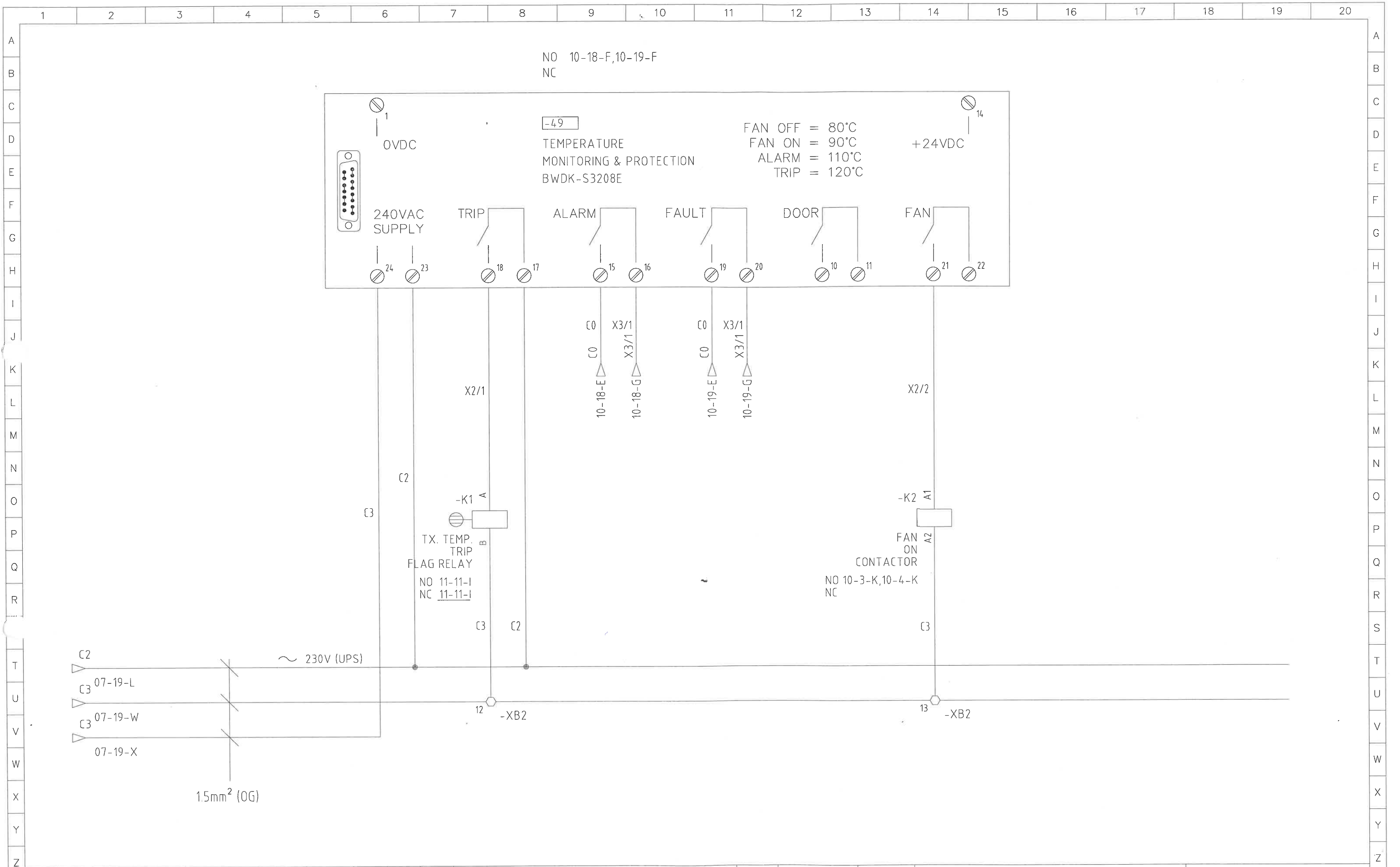
18 17 16 15 14 13 12 11 10 9 8 7 6 5 4 3 2 1

DIMENSIONS IN MILLIMETRES




REV 0

A3



REV	DATE	DESCRIPTION	DRN	CHKD	APPR
0	24-10-16	AS-BUILT	RMS	FARHAN	ZHD


Rutherford
global power
LOT 12, JALAN SILC 1/4, SILC INDUSTRIAL PARK, 79200 NUSAJAYA
 PH: (07) 5090 668/69/70/71 FAX: (07) 5090 665

THE INFORMATION CONTAINED IN THIS DOCUMENT IS CONFIDENTIAL AND IS INTENDED FOR THE EXCLUSIVE USE BY RUTHERFORD GLOBAL POWER. COPYING BY ANY THIRD PARTY IS NOT PERMITTED WITHOUT THE WRITTEN CONSENT OF RUTHERFORD GLOBAL POWER.

ACTION	BY	DATE
DESIGNED	ZHD	04-08-16
DRAWN	RMS	04-08-16
CHECKED	<i>[Signature]</i>	24/10/16
APPROVED	<i>[Signature]</i>	24/10/16
SCALE	NTS	

FOLLO LINE PROJECT
COMPACT TUNNEL SUBSTATION
750KVA, 22KV/1KV-0.4KV Dyn11n11
TRANSFORMER TEMPERATURE CONTROLLER

MODEL: CTS750KVA22KV1KV400V

DRAWING No.	SHEET
E1011-01	09
DO NOT SCALE	REV 0
DIMENSIONS IN MILLIMETRES	A3

REV	DATE	DESCRIPTION	DRN	CHKD	APPR
0	24-10-16	AS-BUILT	RMS	FARHAN	ZHD

ACTION	BY	DATE
DESIGNED	ZHD	04-08-16
DRAWN	RMS	04-08-16
CHECKED		24/10/16
APPROVED		24/10/16

SCALE	NTS	MODEL
		CTS750KVA22KV1KV400V

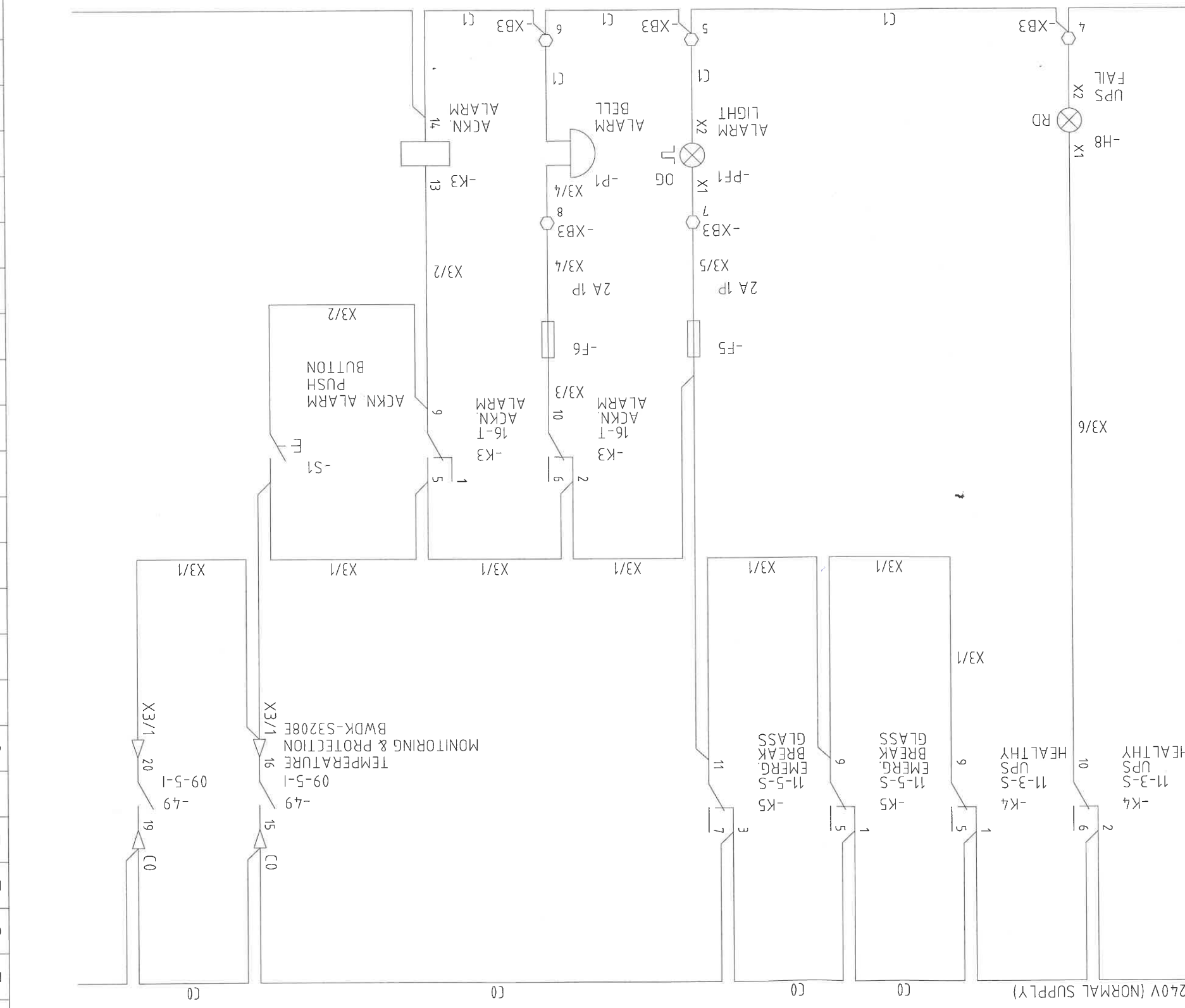
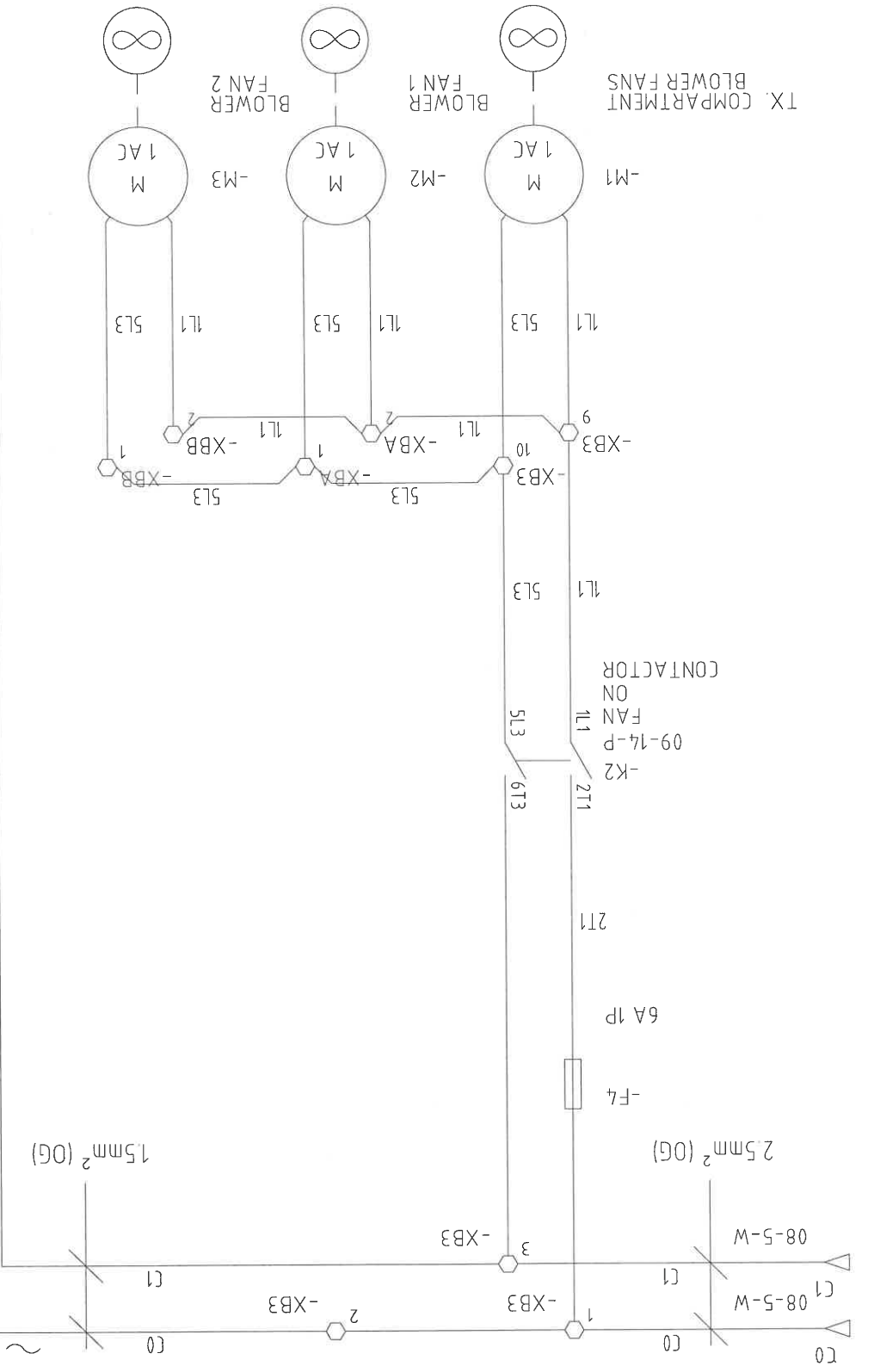
REV	DATE	DESCRIPTION
0	10	E1011-01

Rutherford
 global power
 LOT 12, JALAN SILC 1/4, SILC INDUSTRIAL PARK, 79200 NUSAJAYA
 PH: (07) 5090 666/697/7071 FAX: (07) 5090 665



FOLLO LINE PROJECT
 COMPACT TUNNEL SUBSTATION
 750KVA, 22KV/1KV-0.4KV Dyn11yn11
 COOLING FAN & ALARM SCHEMATIC

DRAWING No. E1011-01
 DO NOT SCALE
 SHEET 10



Z
Y
X
W
V
U
T
S
R
Q
P
O
N
M
L
K
J
I
H
G
F
E
D
C
B
A

1
2
3
4
5
6
7
8
9
10
11
12
13
14
15
16
17
18
19
20

