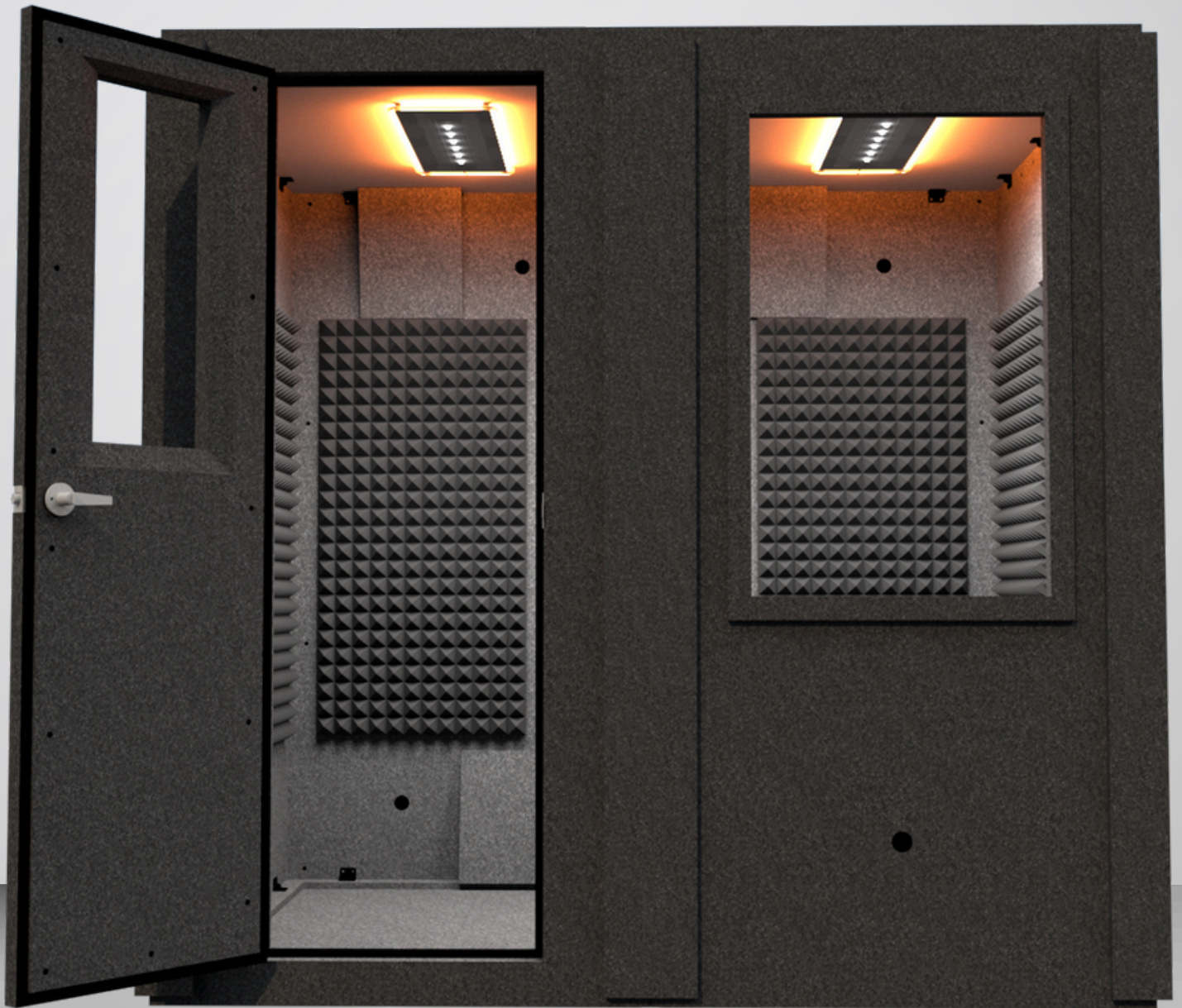


# MDL 6084 S

Single-Wall Sound Booth | 5' x 7'



Shown with optional  
studio light and  
wall window

**WhisperRoom**®

# MDL 6084 S

Single-Wall Sound Booth | 5' x 7'



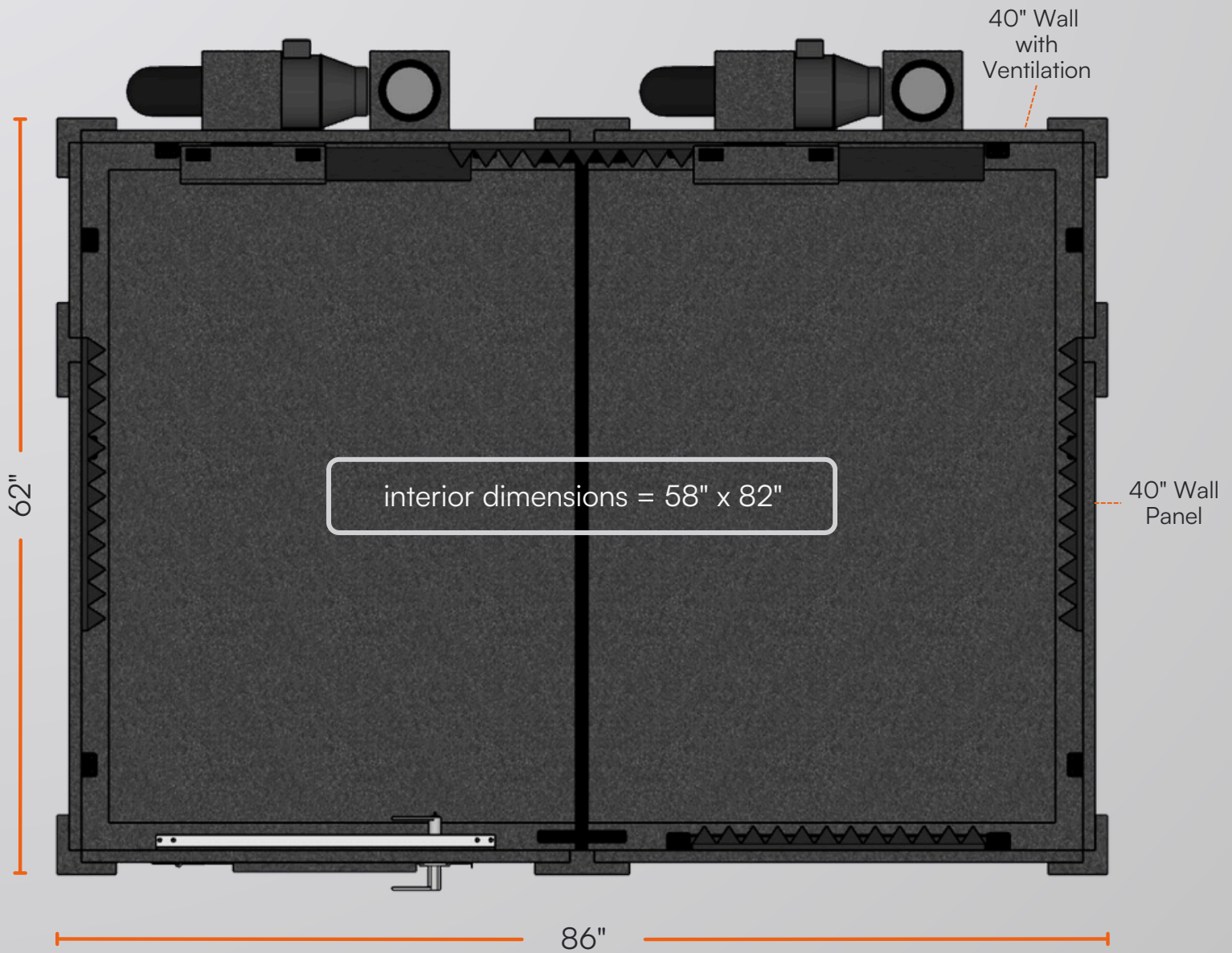
Exterior Dimensions	5' 2" x 7' 2" x 6' 11"
Interior Dimensions	4' 10" x 6' 10" x 6' 8"
Assembled Weight	1050 lbs (476 kg)
Assembly Time	~ 3.5 hours
Wall Thickness	1" MDF barrier
Wall Panel Layers	1" MDF barrier + 2" foam
Door Window Thickness	3/4"
Door Window Layers	laminated safety glass + air gap
Window Size	12" x 30"

**Note:** Exterior dimensions exclude 5.5" ventilation duct protrusion. Height increases by 5" with the optional caster plate.

# MDL 6084 S

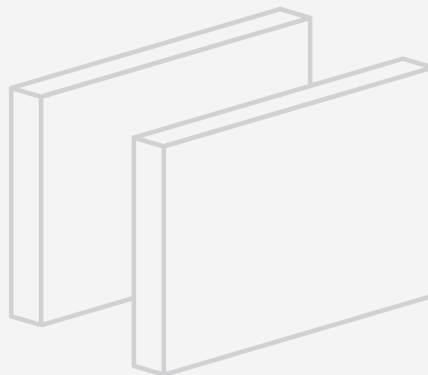
Single-Wall Sound Booth | 5' x 7'

Top-Down Layout & Modular Panel Configuration



## All 40" wall components are interchangeable:

- Solid Wall Panels
- Wall with Ventilation
- Wall with Door
- Wall with Window (optional)



## Ventilation & Clearance:

- Vent system protrudes 5.5"
- Allow 6" from host room walls
- Door swing: 24", opens outward

# MDL 6084 S

Single-Wall Sound Booth | 5' x 7'

## Basic Features (Included)



Ventilation systems (2)



12" x 30" door window



Cable passages (4)



Acoustic studiofoam (4)



18" LED light



Remote switch

## Options & Accessories (Sold Separately)

### Interior Upgrades

- Studio light
- Audimute acoustic panels
  - Acoustic package
  - LENRD bass traps

### Structural Mods

- 10" height extension
- Wall windows
  - IEP floor

### Access & Mobility

- Caster plate
- Step
- Wide access door

### Ventilation Upgrades

- HEPA filter
- Ventilation silencing system
- Exterior fan silencer

### Functional Add-Ons

- Multi jack panel
- Office desk