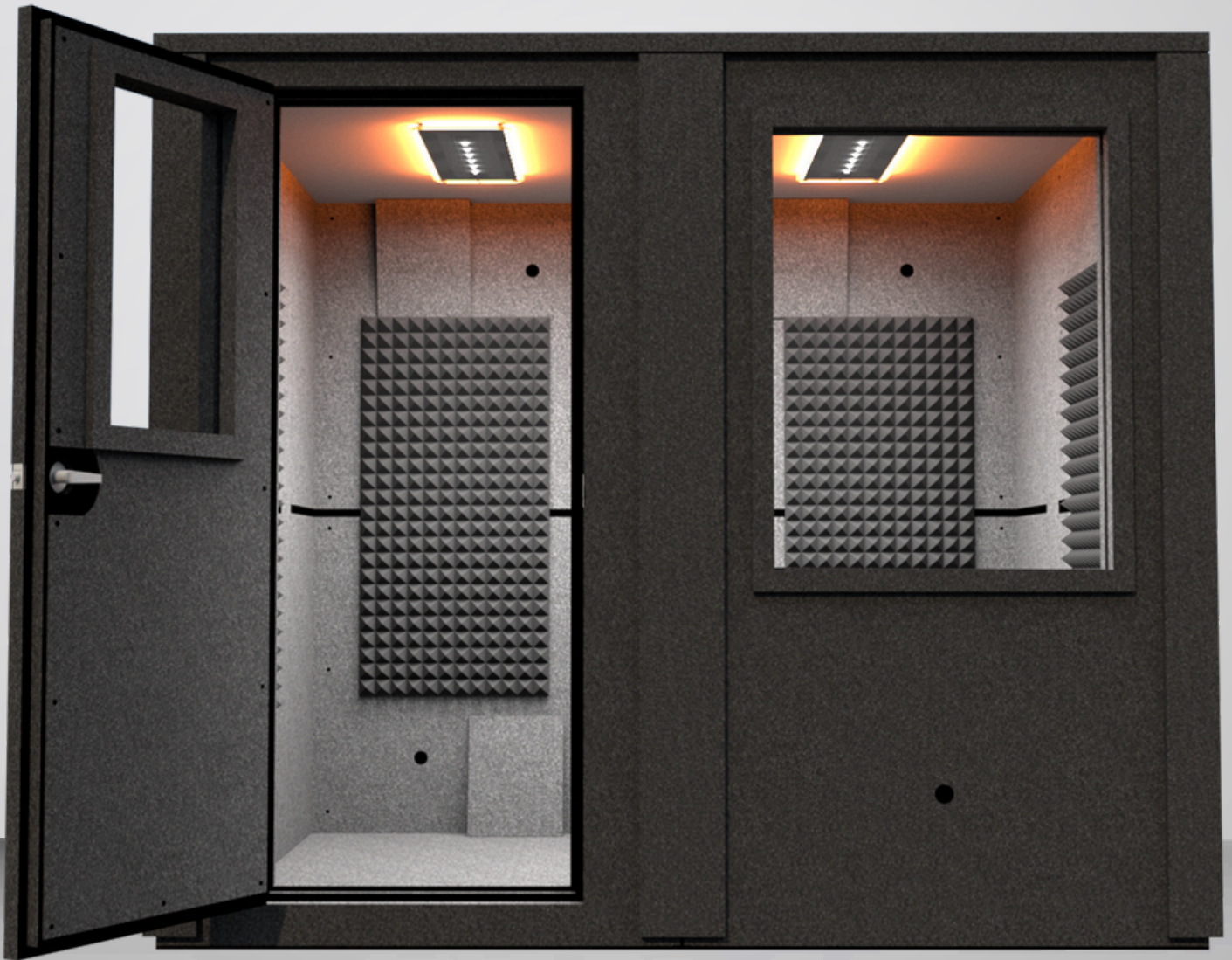


MDL 7296 E

Double-Wall Sound Booth | 6' x 8'



Shown with optional
studio light and
wall window

WhisperRoom®

MDL 7296 E

Double-Wall Sound Booth | 6' x 8'



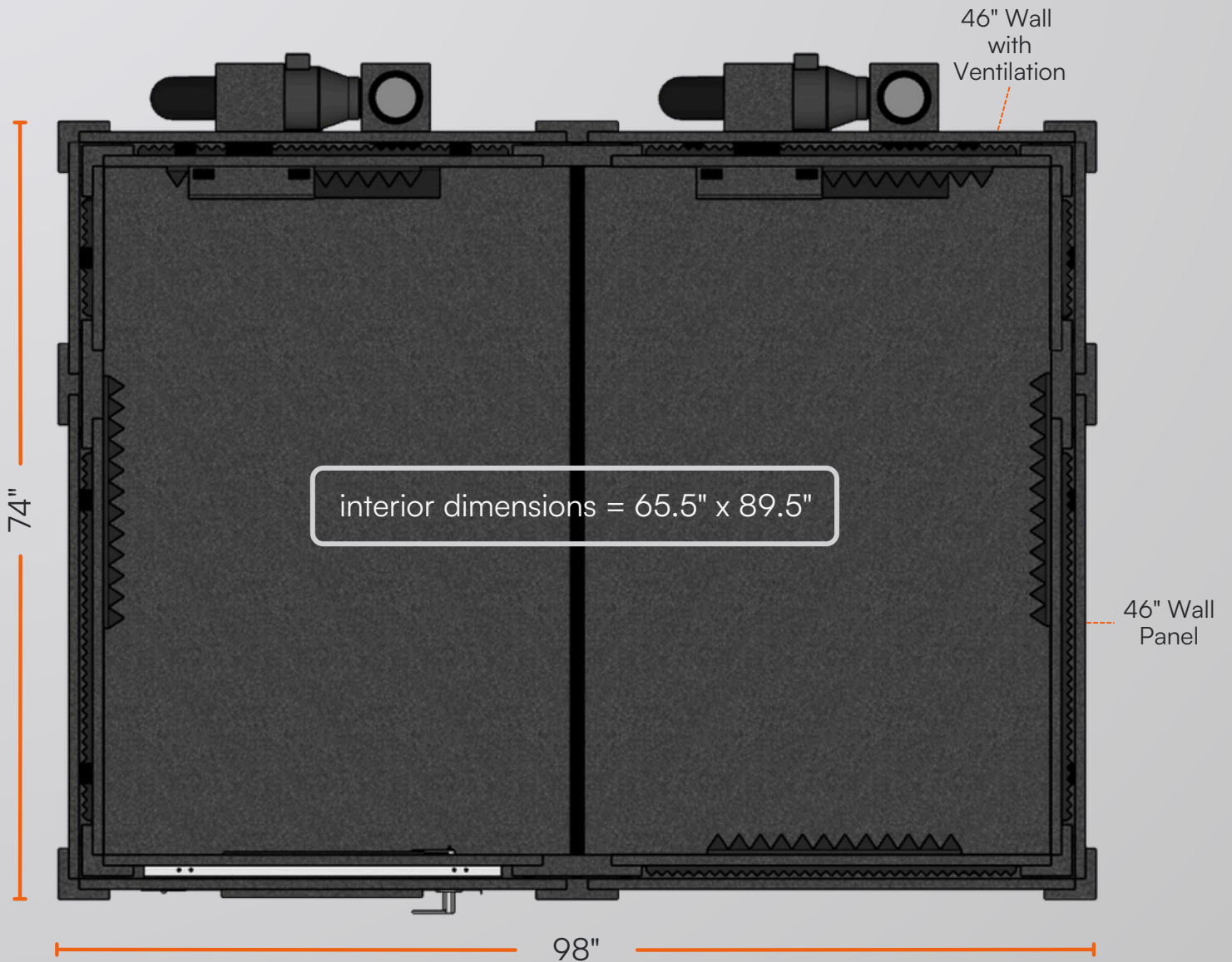
| | |
|-----------------------|---|
| Exterior Dimensions | 6' 2" x 8' 2" x 7' 1" |
| Interior Dimensions | 5' 5.5" x 7' 5.5" x 6' 8" |
| Assembled Weight | 2330 lbs (1057 kg) |
| Assembly Time | ~ 6 hours |
| Wall Thickness | 1" MDF barrier + 1.25" air gap + 1" MDF barrier |
| Wall Panel Layers | Two 1" MDF barrier + 1.25" air gap + 2" foam |
| Door Window Thickness | 3 1/8" |
| Door Window Layers | Dual laminated glass sets with central air gap |
| Window Size | 16" x 30" |

Note: Exterior dimensions exclude 5.5" ventilation duct protrusion. Height increases by 5" with the optional caster plate.

MDL 7296 E

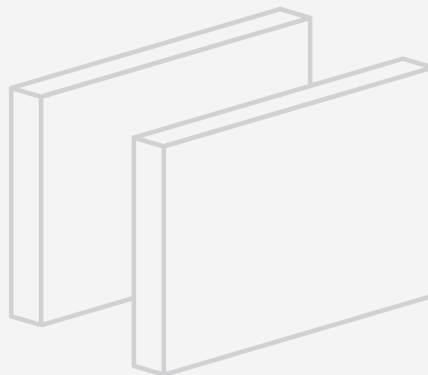
Double-Wall Sound Booth | 6' x 8'

Top-Down Layout & Modular Panel Configuration



All 46" wall components are interchangeable:

- Solid Wall Panels
- Wall with Ventilation
- Wall with Door
- Wall with Window (optional)



Ventilation & Clearance:

- Vent system protrudes 5.5"
- Allow 6" from host room walls
- Door swing: 30", opens outward

MDL 7296 E

Double-Wall Sound Booth | 6' x 8'

Basic Features (Included)



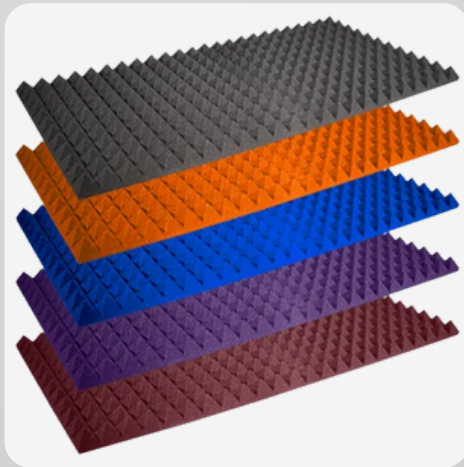
Ventilation systems (2)



16" x 30" door window



Cable passages (4)



Acoustic studiofoam (5)



18" LED light



Remote switch

Options & Accessories (Sold Separately)

Interior Upgrades

- Studio light
- Audimute acoustic panels
 - Acoustic package
 - LENRD bass traps

Structural Mods

- 10" height extension
- Wall windows

Ventilation Upgrades

- HEPA filter
- Ventilation silencing system
- Exterior fan silencer

Access & Mobility

- Caster plate
- Step
- Wide access door
- ADA package

Functional Add-Ons

- Multi jack panel
- Office desk