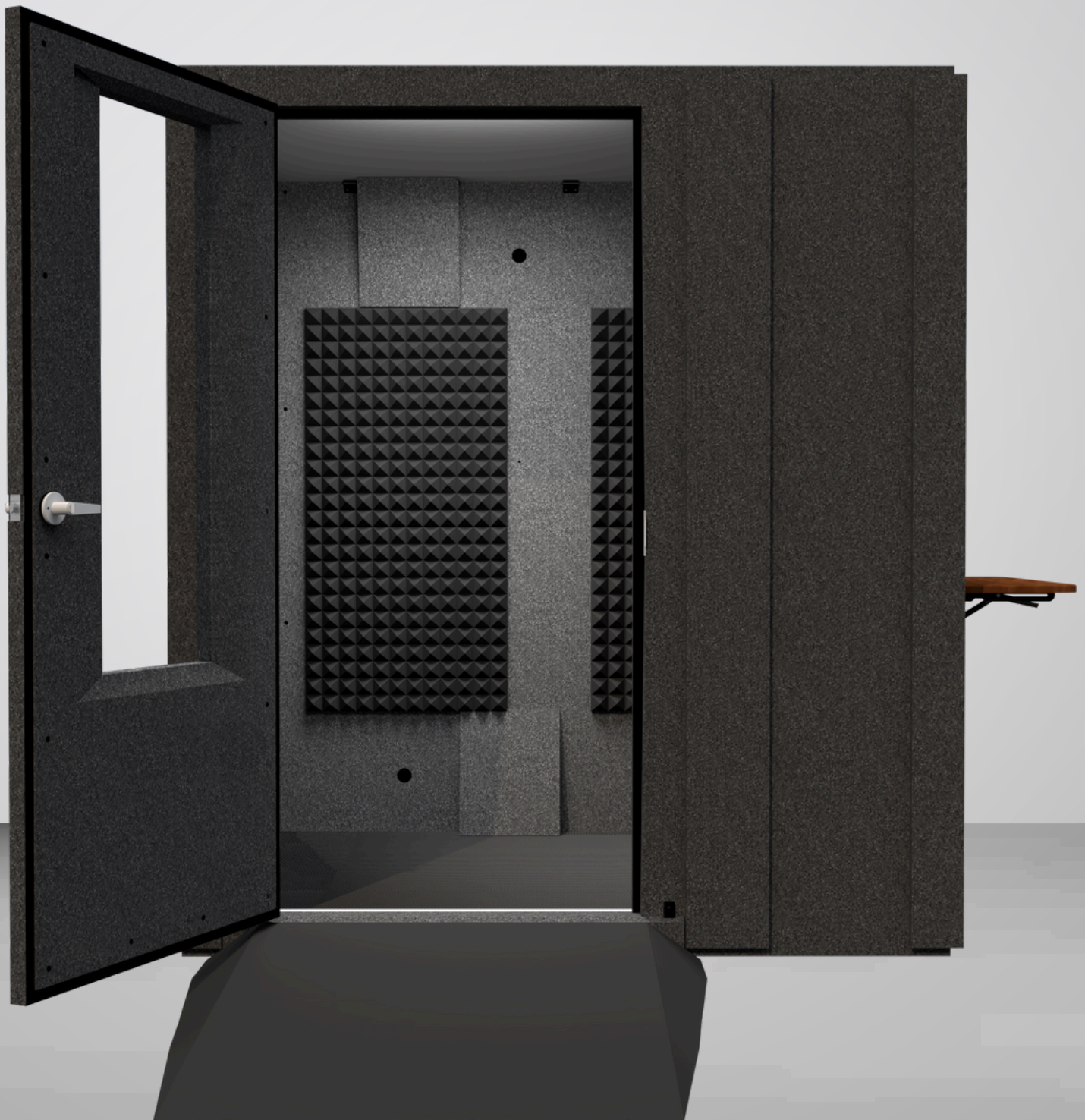


# Audiology Basic Plus

Single-Wall Audiometric Booth | 4' x 6'



**WhisperRoom**®

# Audiology Basic Plus

Single-Wall Audiometric Booth | 4' x 6'



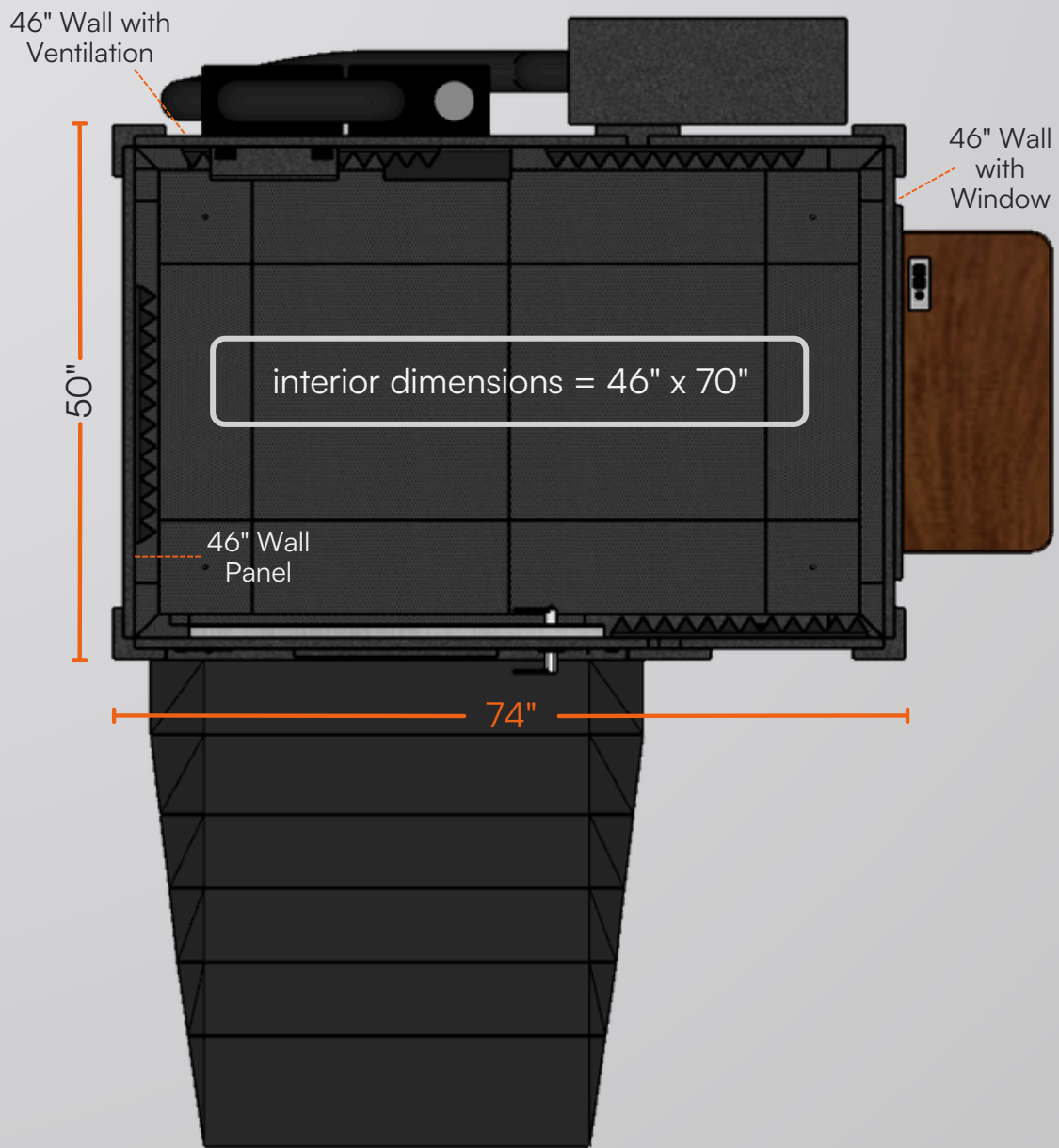
Exterior Dimensions	4' 2" x 6' 2" x 6' 11"
Interior Dimensions	3' 10" x 5' 10" x 6' 8"
Assembled Weight	1274 lbs (578 kg)
Assembly Time	~ 2.5 hours
Wall Thickness	1" MDF barrier
Wall Panel Layers	1" MDF barrier + 2" foam
Door Window Thickness	3/4"
Door Window Layers	laminated safety glass + air gap
Window Size	16" x 30"

**Note:** Exterior dimensions exclude 5.5" ventilation duct protrusion. Height increases by 5" with the optional caster plate.

# Audiology Basic Plus

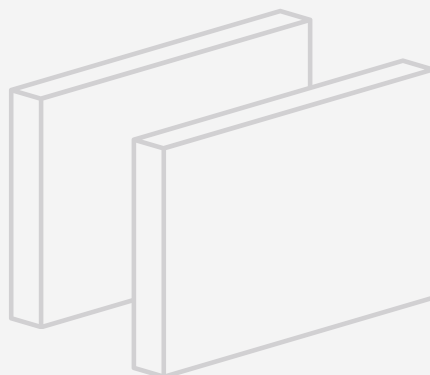
Single-Wall Audiometric Booth | 4' x 6'

Top-Down Layout & Modular Panel Configuration



## All 46" wall components are interchangeable:

- Solid Wall Panels
- Wall with Ventilation
- Wall with Window



## Ventilation & Clearance:

- Vent system protrudes 5.5"
- Allow 6" from host room walls
- Door swing: 30", opens outward

# Audiology Basic Plus

Single-Wall Audiometric Booth | 4' x 6'

## Basic Features (Included)



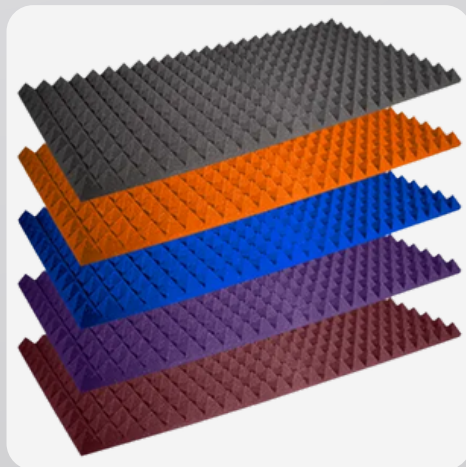
Ventilation system



16" x 48" door window



Cable passages (3)



Acoustic studiofoam (4)



18" LED light



Remote switch

## Options & Accessories (Included)



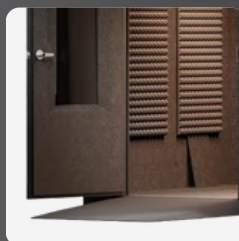
Office desk



Multi jack panel



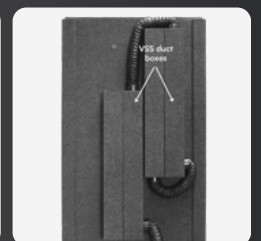
Wall window (32" x 36")



Accessibility Package



Exterior fan silencer



Ventilation silencing system