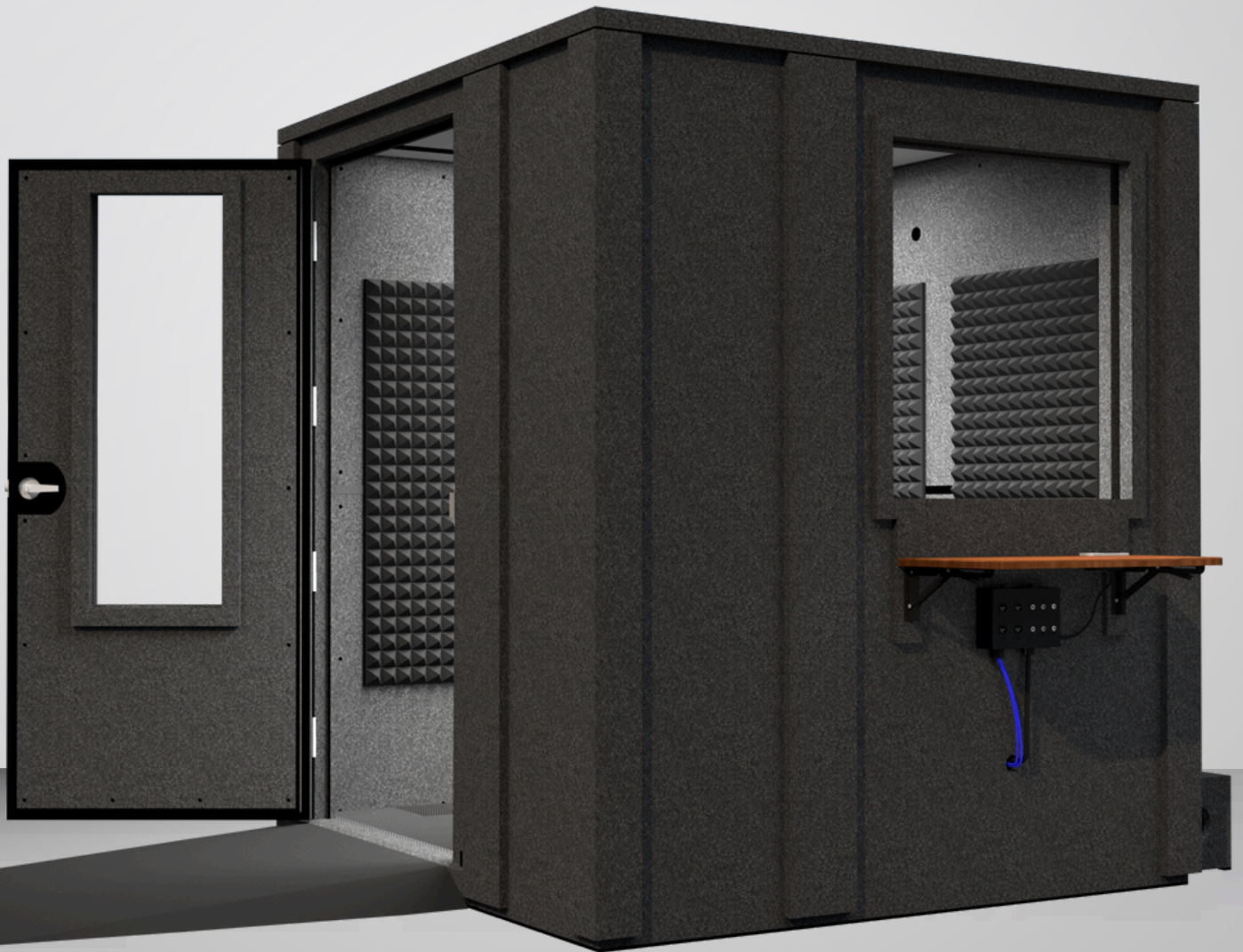


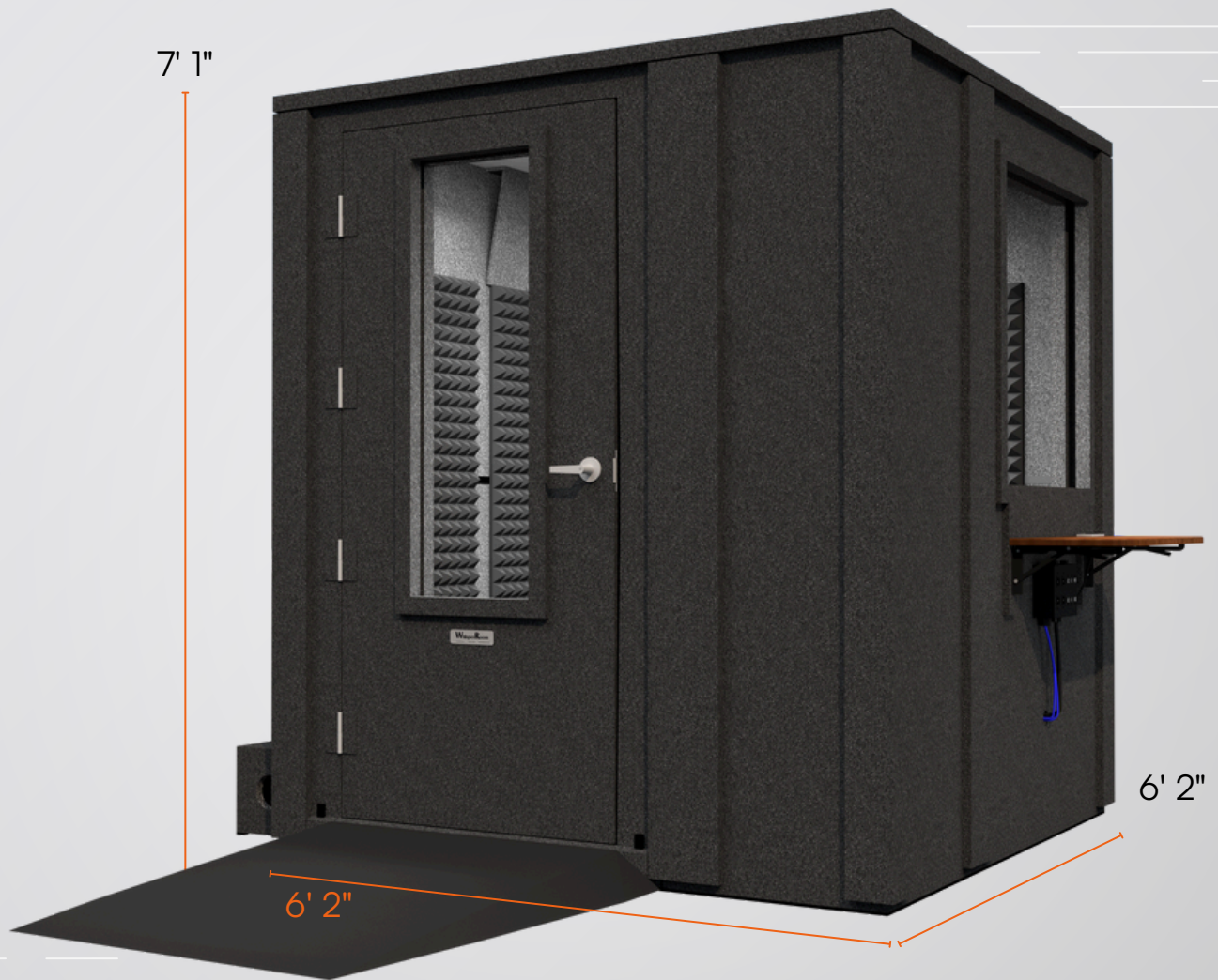
Audiology Ultra

Double-Wall Audiometric Booth | 6' x 6'



Audiology Ultra

Double-Wall Audiometric Booth | 6' x 6'



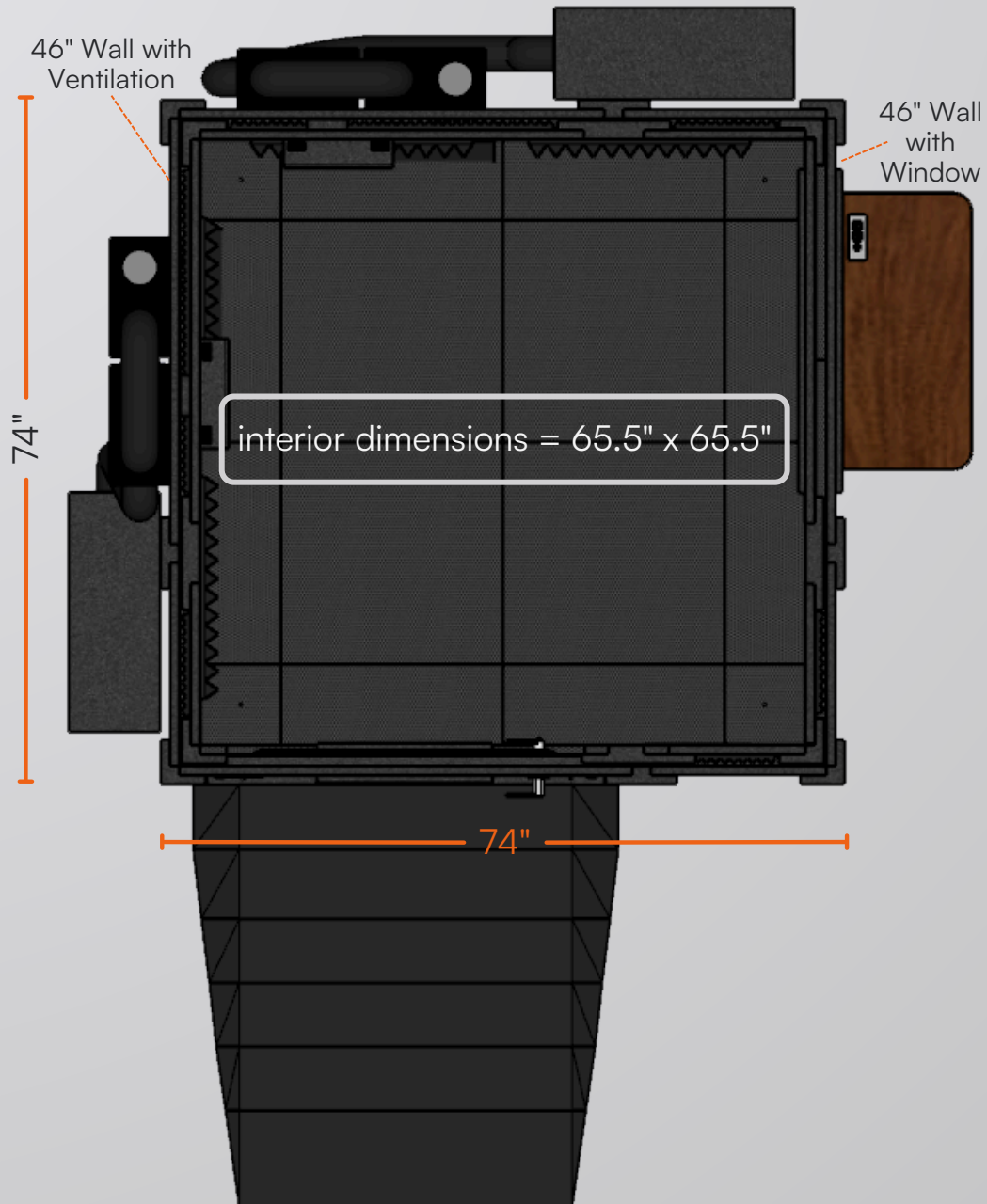
Exterior Dimensions	6' 2" x 6' 2" x 7' 1"
Interior Dimensions	5' 5.5" x 5' 5.5" x 6' 8"
Assembled Weight	2373 lbs (1076 kg)
Assembly Time	~ 6.5 hours
Wall Thickness	1" MDF barrier
Wall Panel Layers	1" MDF barrier + 2" foam
Door Window Thickness	3/4"
Door Window Layers	laminated safety glass + air gap
Window Size	16" x 30"

Note: Exterior dimensions exclude 5.5" ventilation duct protrusion. Height increases by 5" with the optional caster plate.

Audiology Ultra

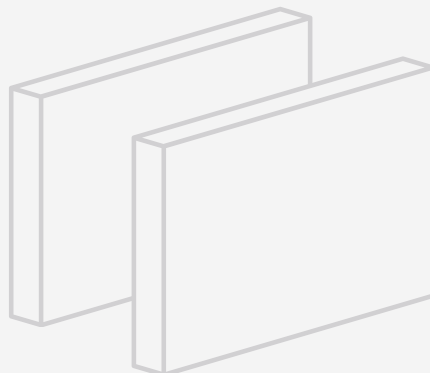
Double-Wall Audiometric Booth | 6' x 6'

Top-Down Layout & Modular Panel Configuration



All 46" wall components are interchangeable:

- Wall with Ventilation
- Wall with Window



Ventilation & Clearance:

- Vent system protrudes 5.5"
- Allow 6" from host room walls
- Door swing: 30", opens outward

Audiology Ultra

Double-Wall Audiometric Booth | 6' x 6'

Basic Features (Included)



Ventilation system (2)



16" x 48" door window



Cable passages (5)



Acoustic studiofoam (4)



18" LED light



Remote switch

Options & Accessories (Included)



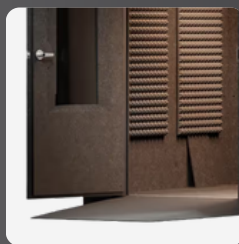
Office desk



Multi jack panel



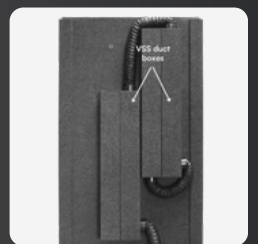
Wall window (32" x 36")



ADA Package



Exterior fan silencer (2)



Ventilation silencing system (2)