

# Office Booth

Single-Wall Sound Booth | 3.5' x 3.5'



# Office Booth

Single-Wall Sound Booth | 3.5' x 3.5'



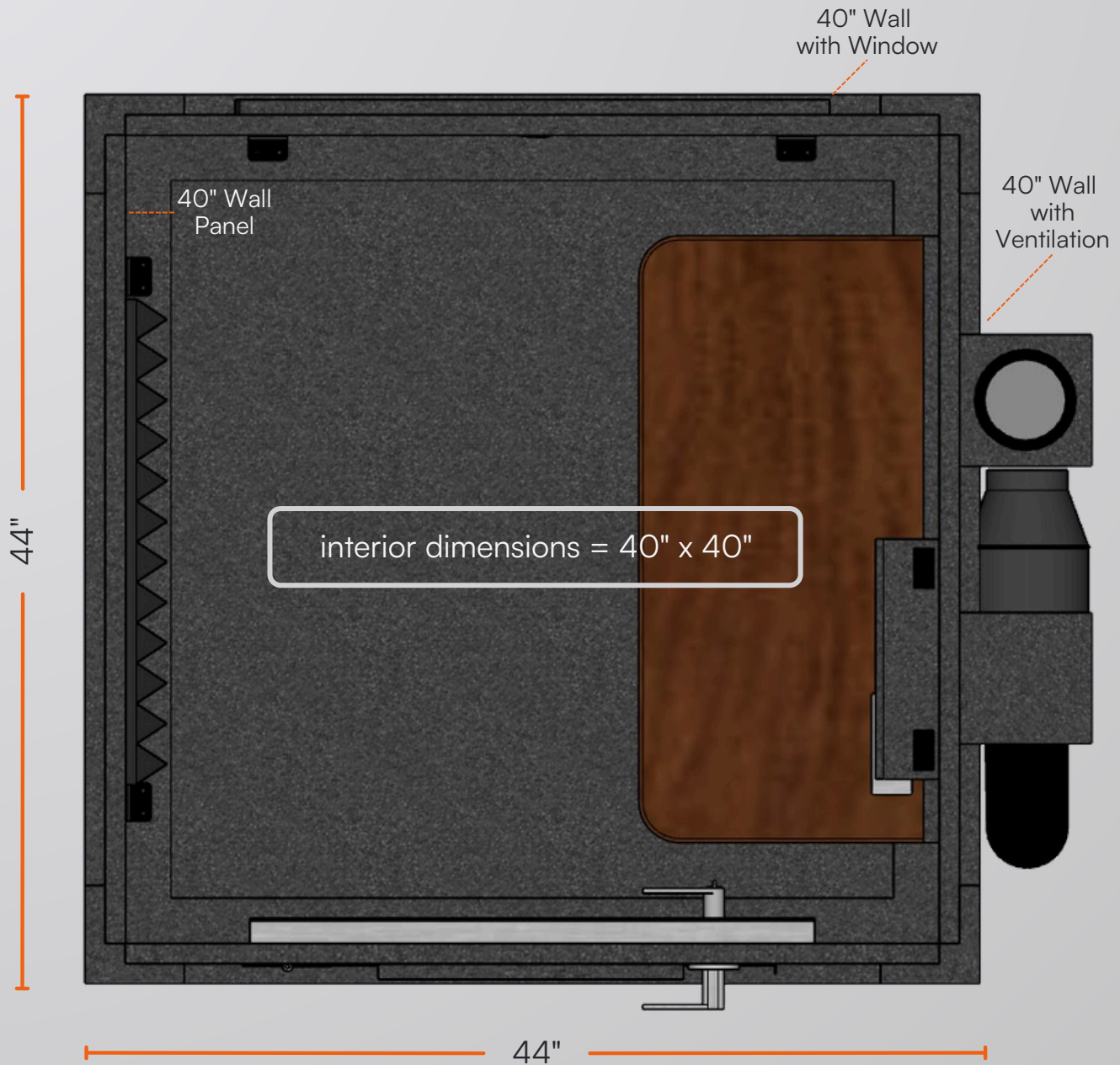
Exterior Dimensions	3' 8" x 3' 8" x 7' 4"
Interior Dimensions	3' 4" x 3' 4" x 6' 8"
Assembled Weight	710 lbs (322 kg)
Assembly Time	~ 2 hours
Wall Thickness	1" MDF barrier
Wall Panel Layers	1" MDF barrier + 2" foam
Door Window Thickness	3/4"
Door Window Layers	laminated safety glass + air gap
Window Size	12" x 30"

**Note:** Exterior dimensions exclude 5.5" ventilation duct protrusion. Height increases by 5" with the optional caster plate.

# Office Booth

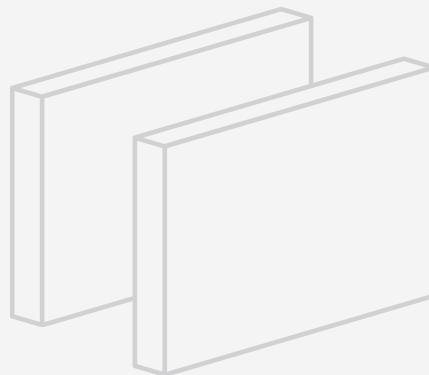
Single-Wall Sound Booth | 3.5' x 3.5'

Top-Down Layout & Modular Panel Configuration



## All 40" wall components are interchangeable:

- Solid Wall Panels
- Wall with Ventilation
- Wall with Door
- Wall with Window



## Ventilation & Clearance:

- Vent system protrudes 5.5"
- Allow 6" from host room walls
- Door swing: 30", opens outward

# Office Booth

Single-Wall Sound Booth | 3.5' x 3.5'

## Basic Features (Included)



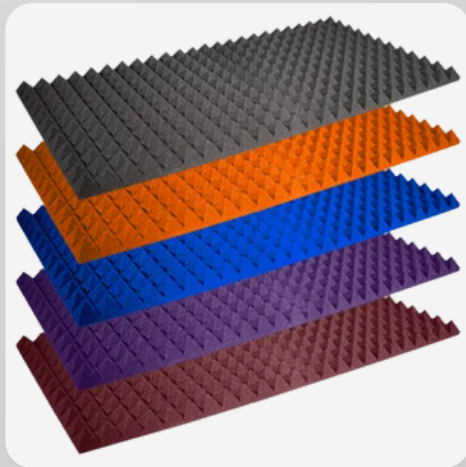
Ventilation system



12" x 30" door window



Cable passages (3)



Acoustic studiofoam (2)



18" LED light

## Options & Accessories (Included)



Office desk



Wall window (26" x 48")



Studio light



Caster plate