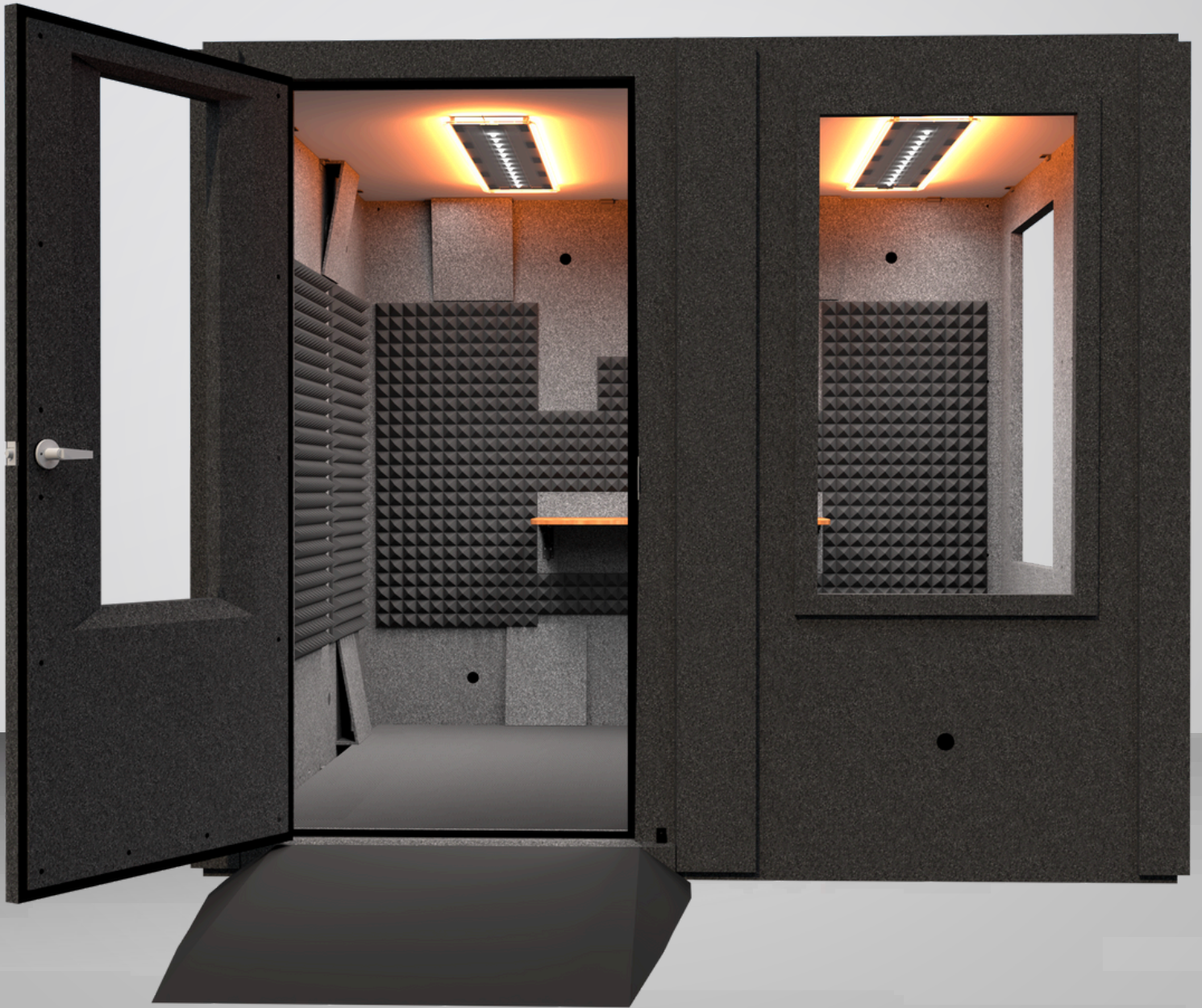


# Makerspace Booth

Single-Wall Sound Booth | 8' x 8'



# Makerspace Booth

Single-Wall Sound Booth | 8' x 8'



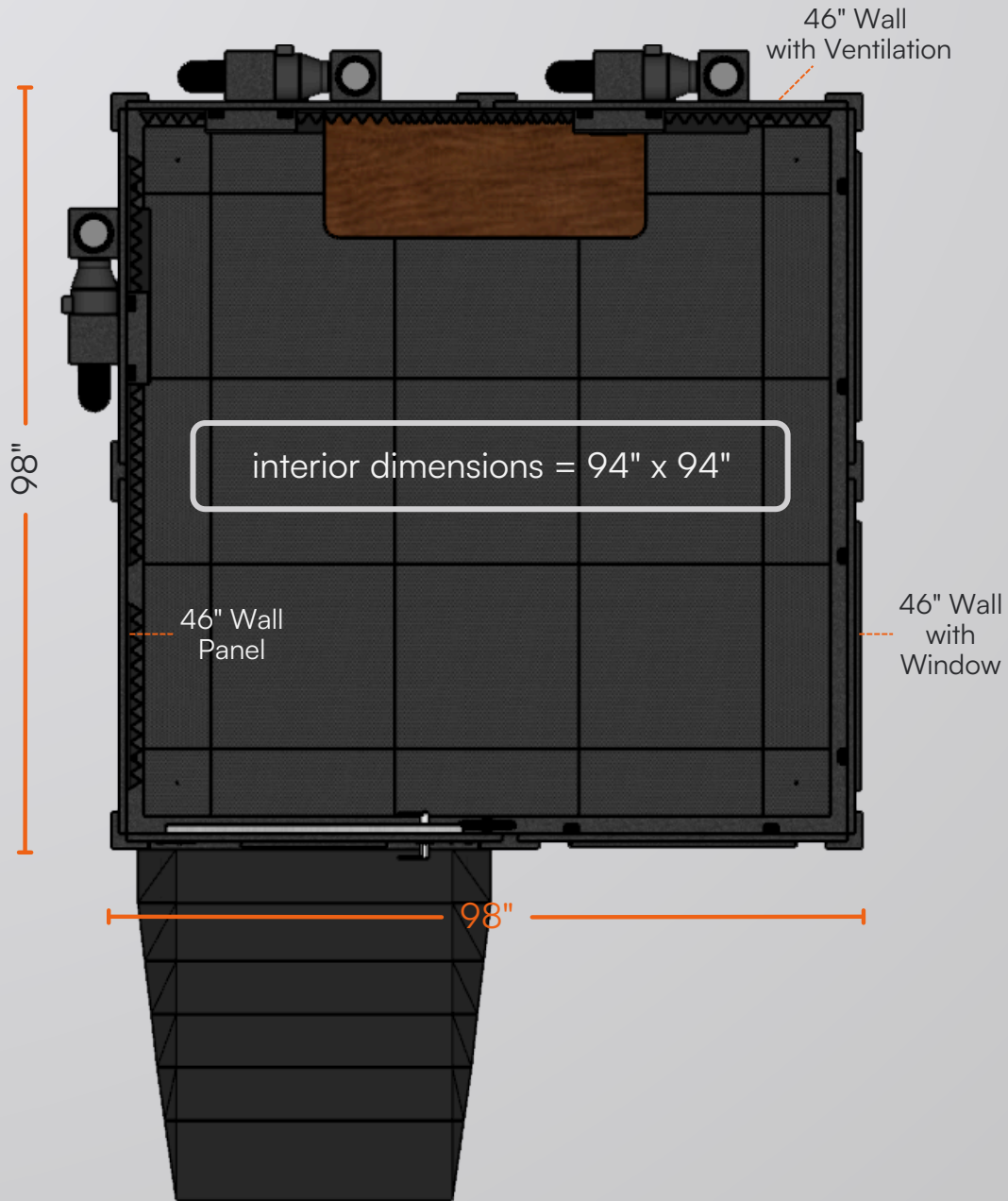
Exterior Dimensions	8' 2" x 8' 2" x 6' 11"
Interior Dimensions	7' 10" x 7' 10" x 6' 8"
Assembled Weight	2256 lbs (1023 kg)
Assembly Time	~ 4 hours
Wall Thickness	1" MDF barrier
Wall Panel Layers	1" MDF barrier + 2" foam
Door Window Thickness	3/4"
Door Window Layers	laminated safety glass + air gap
Window Size	16" x 30"

**Note:** Exterior dimensions exclude 5.5" ventilation duct protrusion. Height increases by 5" with the optional caster plate.

# Makerspace Booth

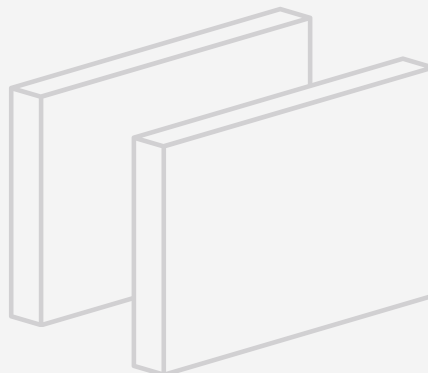
Single-Wall Sound Booth | 8' x 8'

Top-Down Layout & Modular Panel Configuration



## All 46" wall components are interchangeable:

- Solid Wall Panels
- Wall with Ventilation
- Wall with Door
- Wall with Window



## Ventilation & Clearance:

- Vent system protrudes 5.5"
- Allow 6" from host room walls
- Door swing: 30", opens outward

# Makerspace Booth

Single-Wall Sound Booth | 8' x 8'

## Basic Features (Included)



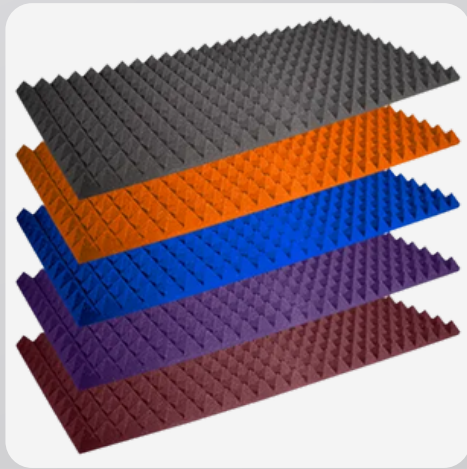
Ventilation system (3)



16" x 30" door window



Cable passages (9)



Acoustic studiofoam (5)

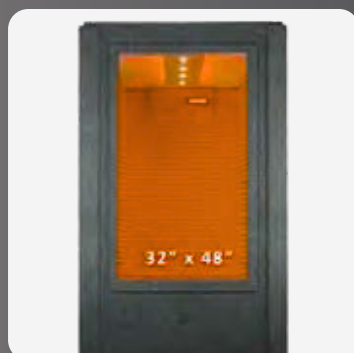


18" LED light

## Options & Accessories (Included)



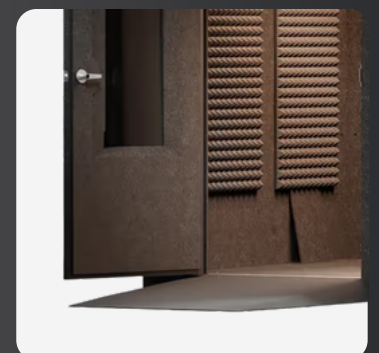
Office desk



Wall window x3 (48")



Studio light



ADA package